



# PARTS Catalog

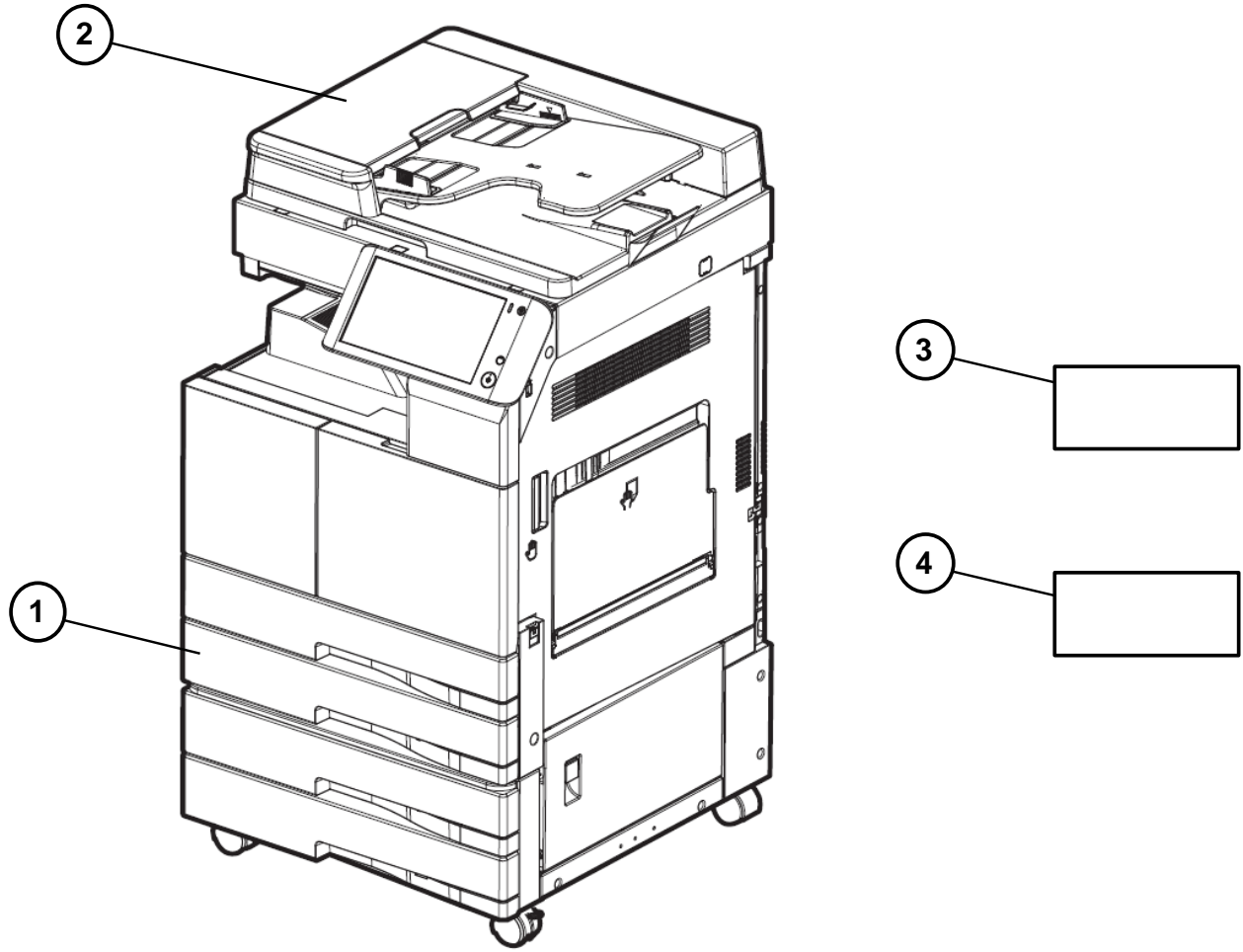
---

August 2020

N620/621/622/623 Series  
MF2085/3035/4061/4121 Series

# SYSTEM OUTLINE

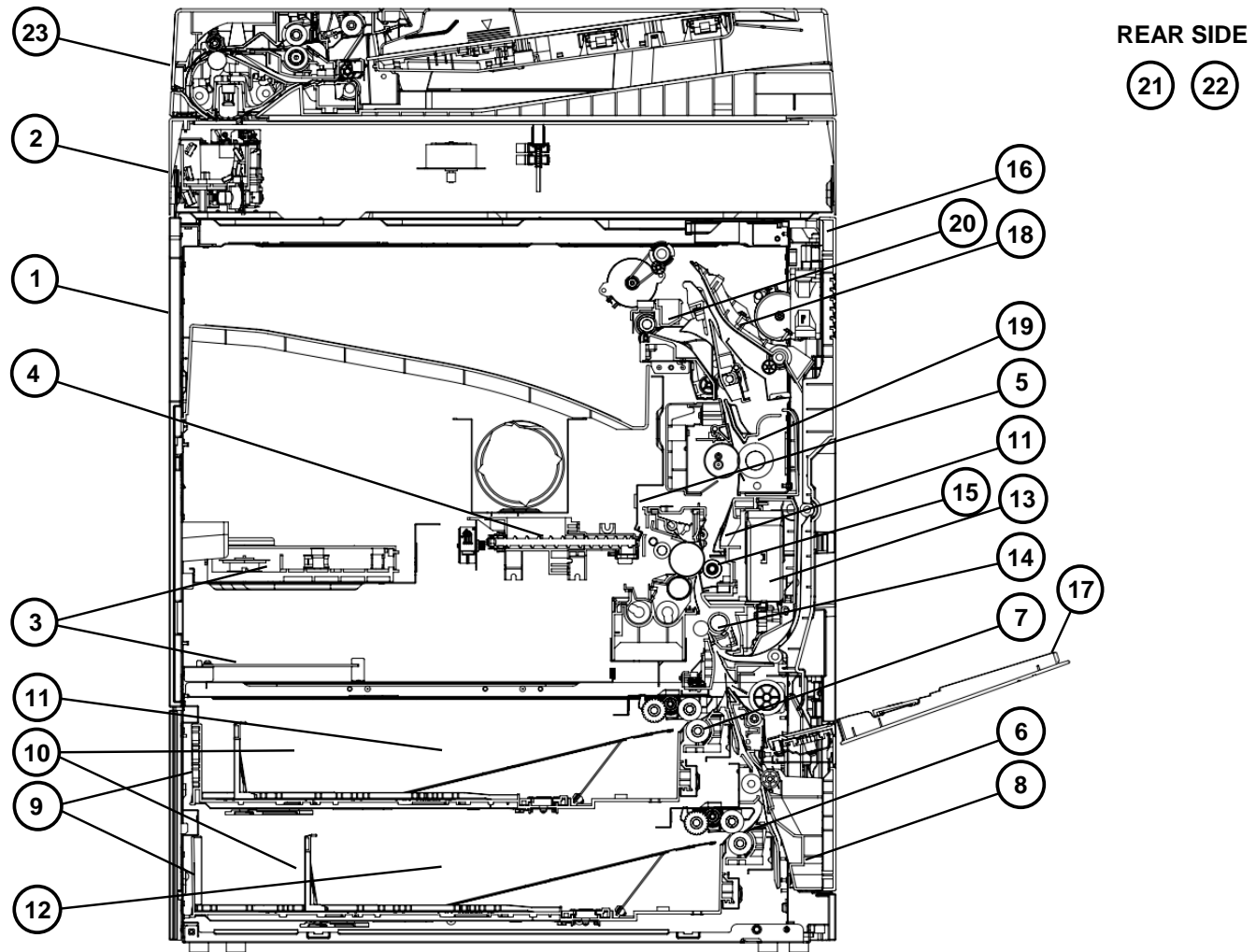
최종 업데이트 : 2020. 09. 09



# GENERAL CONTENTS

NO.	Description	Model
1	Digital MFP Mono	N620/N621/N622/N623
2	Document Feeder	DF-627
3	Fax Kit	N410FKT
4	WiFi Kit	N620WN

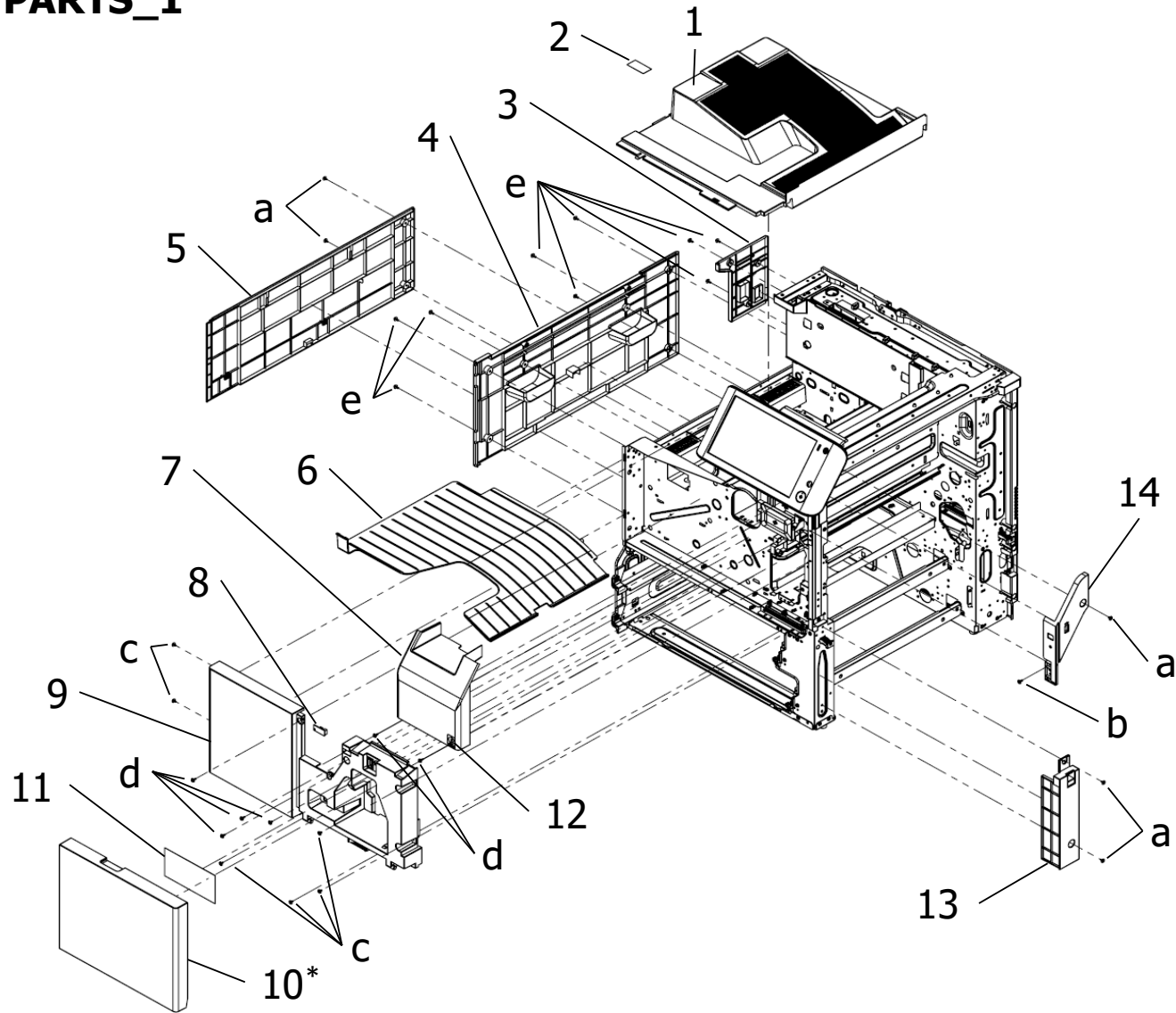
# Section Configuration



# CONTENTS

<b>NO.</b>	<b>Description</b>	<b>Page No.</b>
1	EXTERNAL PARTS	6 ~ 11
2	SCANNER SECTION	12 ~ 17
3	PH UNIT HIGH VOLTAGE SECTION	18 ~ 21
4	TONER SUPPLY SECTION	22 ~ 23
5	ERASE LAMP/DV-DR GUIDE SECTION	24 ~ 25
6	PAPER FEED SECTION	26 ~ 27
7	1ST PAPER FEED SECTION	28 ~ 29
8	2ND PAPER FEED SECTION	30 ~ 33
9	CASSETTE RAIL SECTION	34 ~ 35
10	PAPER SIZE DETECTION	36 ~ 37
11	1ST CASSETTE SECTION	38 ~ 39
12	2ND CASSETTE SECTION	40 ~ 41
13	VERTICAL TRANSPORT SECTION	42 ~ 45
14	REGISTRATION SECTION	46 ~ 47
15	TRANSFER PARTS	48 ~ 49
16	VERTICAL CONVEYANCE DOOR SECTION	50 ~ 51
17	BYPASS TRAY SECTION	52 ~ 55
18	REVERSAL SECTION	56 ~ 59
19	FUSER SECTION	60 ~ 61
20	PAPER EXIT SECTION	62 ~ 65
21	DRIVE SECTION	66 ~ 67
22	ELECTRICAL COMPONENTS	68 ~ 71
23	ARDF (DF-627)	72 ~ 89

# EXTERNAL PARTS\_1

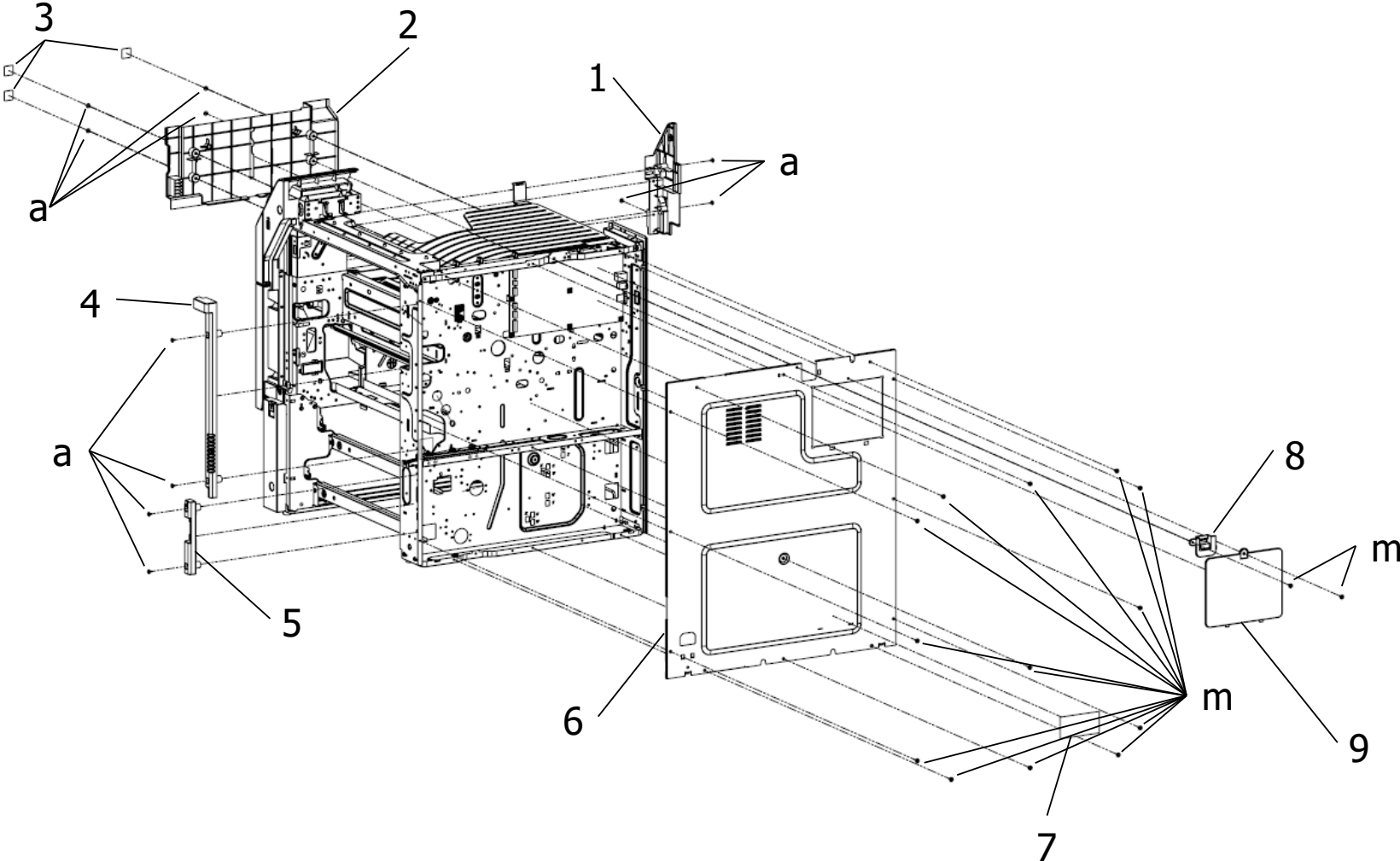


## EXTERNAL PARTS\_1

Key	Part No	Description	Q'ty
1	JS021630FR	COVER:TRAY	1
2	JC017724FR	QR코드	1
3	JS021608FR	COVER:REAR:LEFT	1
4	JS021615FR	COVER:LEFT	1
5	JS021640FR	COVER:LOWER:LEFT	1
6	JS018190FR	TRAY:REVERSE	1
7	JS021655FR	COVER:FRONT:OP	1
8	A7AHM504FR	HUMIDITY SENSOR	1
9	JS021602FR	COVER:FRONT	1
*10-1	JS021701FR	COVER:DOOR:FRONT_N620:J-S (26PPM)	(1)
10-2	JS021702FR	COVER:DOOR:FRONT_N621:J-S (30PPM)	(1)
10-3	JS021703FR	COVER:DOOR:FRONT_N622:J-S (40PPM)	(1)
10-4	JS021704FR	COVER:DOOR:FRONT_N623:J-S (45PPM)	(1)
11	JC011801FR	LABEL:INSTRUCT:TB	1
12	S0107428FR	ENERGY SAVE MARK (에너지절약마크)	1
13	JS021645FR	COVER:LOWER:FRONT:RIGHT	1
14	JS021665FR	COVER : RIGHT : OP:J-S	1

Key	Part No	Description	Q'ty
	a-V137030804		
	b-V144030803		
	c-V144030603		
	d-V153030803		
	e-V116030804		

# EXTERNAL PARTS\_2



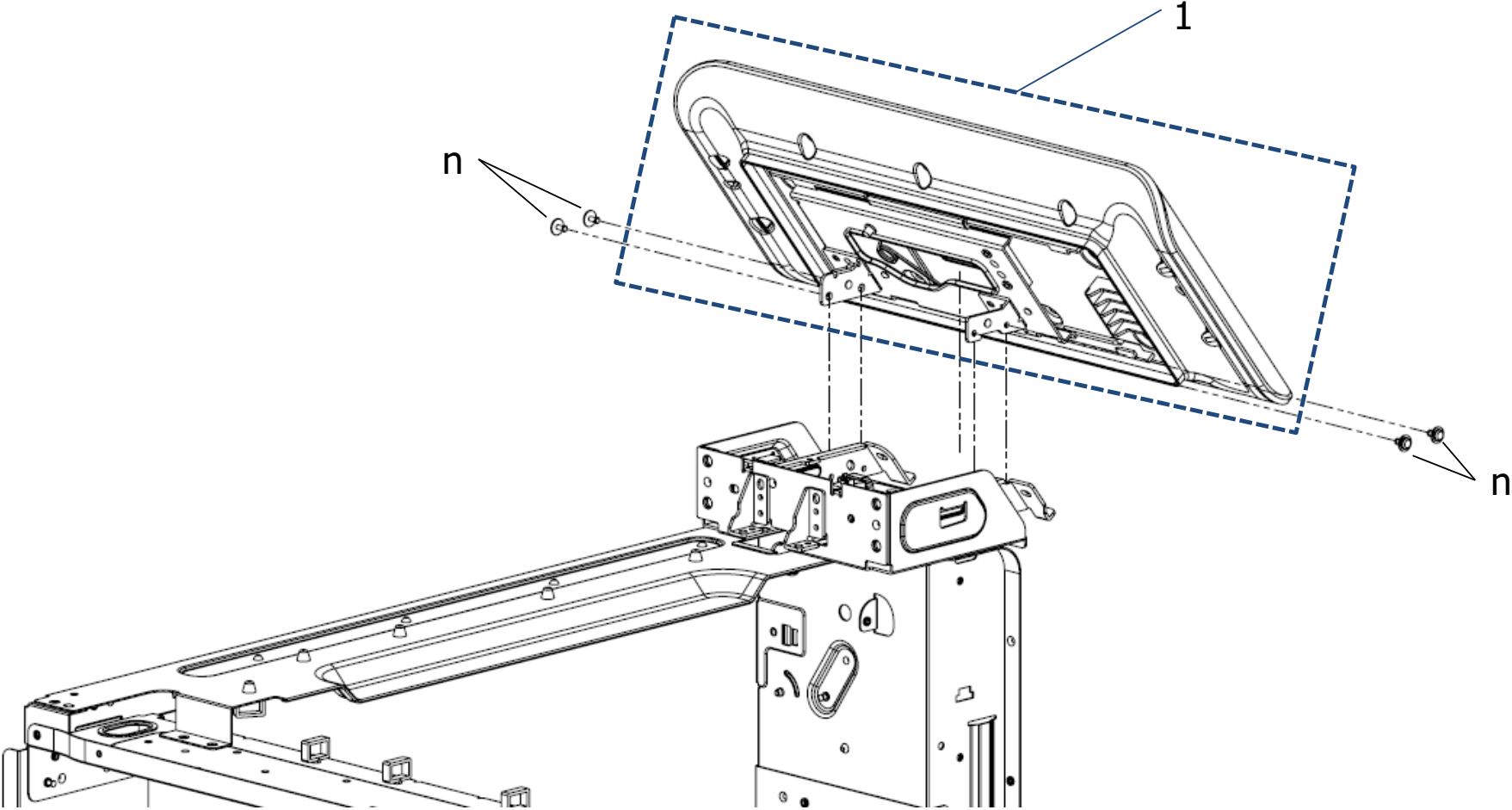


## EXTERNAL PARTS\_2

Key	Part No	Description	Q'ty
1	JS021660FR	COVER LEFT OP	1
2	JS021632FR	COVER : INNER : EXIT	1
3	JS021966FR	MYLAR:COVER:SCREW:COVER:EXIT	3
4	JS021620FR	COVER:UPPER:REAR:RIGHT	1
5	JS021651FR	COVER:LOWER:REAR:RIGHT	1
6	JC011625FR	COVER:REAR	1
7	JC017724FR	NAME PLATE (정격명판)	1
8	JC011680FR	COVER:CABLE:RADF	1
9	JS021626FR	COVER FAX	1

Key	Part No	Description	Q'ty
	a-V137030804 m-V116030803		

**EXTERNAL PARTS\_3**

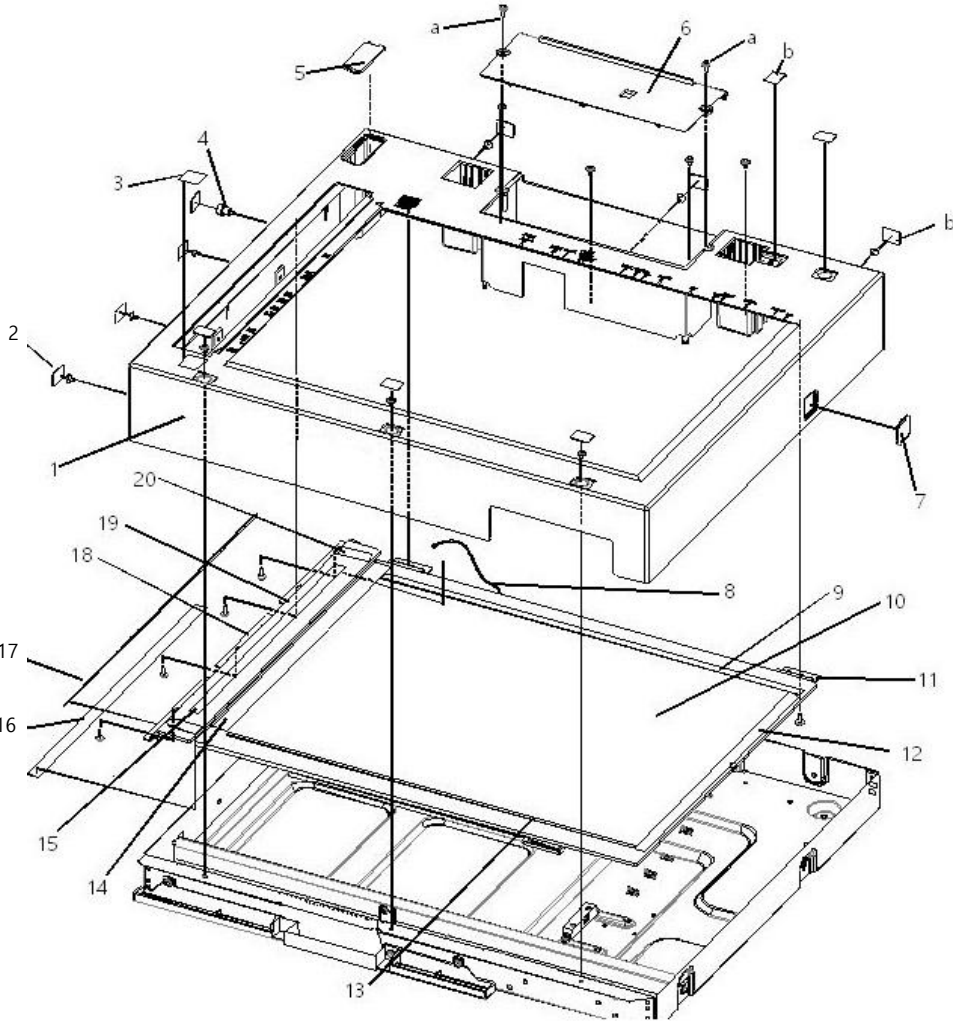


### EXTERNAL PARTS\_3

Key	Part No	Description	Q'ty
1	JS02A190FR	UI TOTAL ASSY	1

Key	Part No	Description	Q'ty
	n-V137030803		4

# SCANNER SECTION\_1

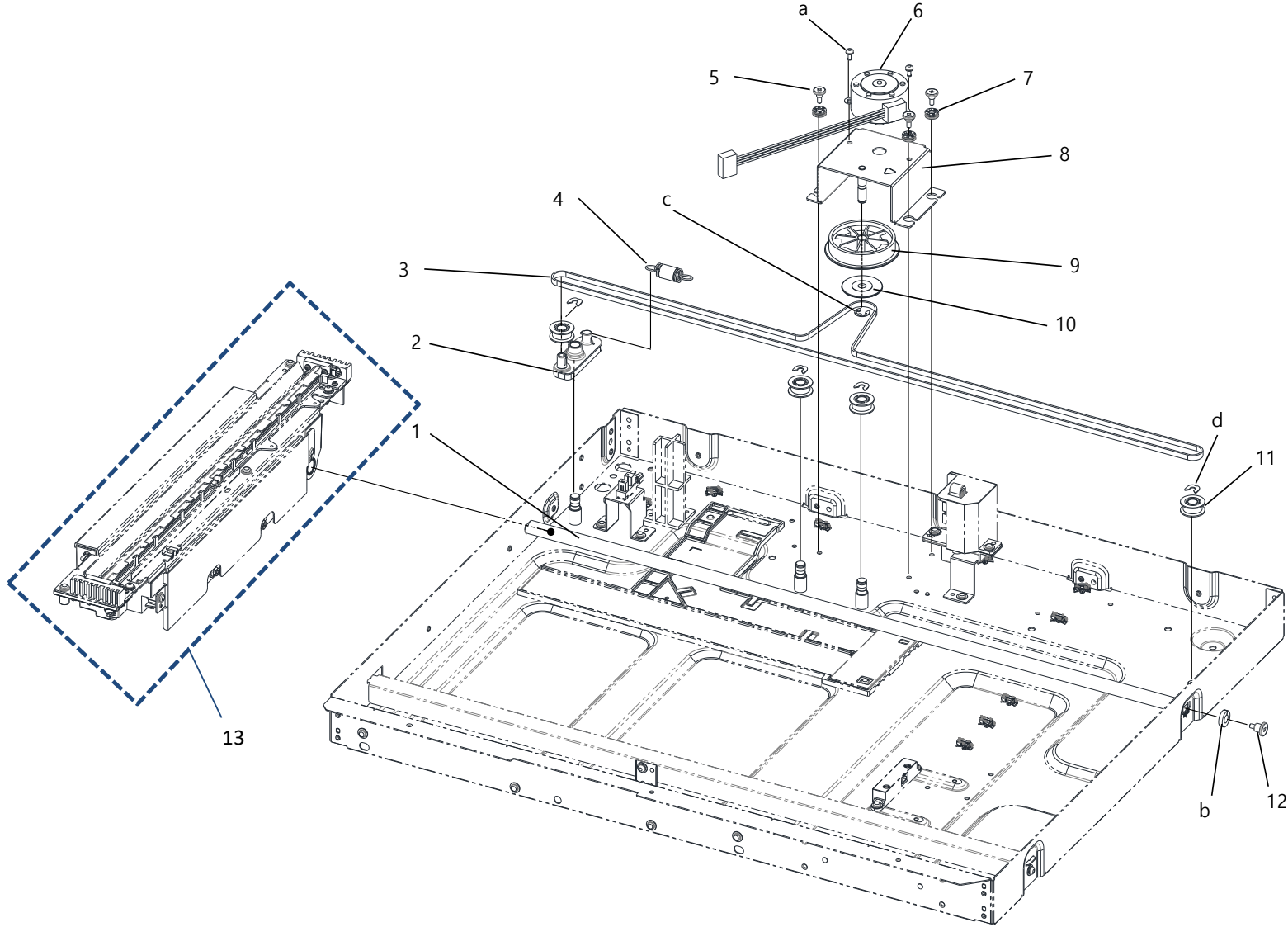


# SCANNER SECTION\_1

Key	Part No	Description	Q'ty
1	JS022751FR	COVER UPPER SCANNER	1
2	JS022835FR	MYLAR COVER SCREW SCANNER	12
3	JC012741FR	LABEL CLEANING GLASS	1
4	JS012661FR	BOLT LOCK	1
5	JS022753FR	COVER FRAME	1
6	JS022752FR	COVER UPPER SMALL	1
7	JS022663FR	COVER SHAFT	1
8	JS019671FR	M/H ASSY:SCANNER EARTH WIRE	1
9	ZC011821FR	TAPE GLASS CONTACT TOP SCANNER	1
10	JS012827FR	GLASS ORIGINAL SCANNER	1
11	A7AH2669FR	HOLD PLATE RIGHT	2
12	ZC011822FR	TAPE GLASS CONTACT RIGHT SCANNER	1
13	ZC011837FR	TAPE GLASS CONTACT BOTTOM SCANNER	1
14	JS012653FR	CALIBRATION STRIP	1
15	JS012834FR	SHEET STEP GLASS ADF SCANNER	1
16	JS012828FR	MYLAR BOTTOM GLASS SCANNER	1
17	ZC011824FR	CUSHION GLASS ADF	1
18	JS012702FR	PLATE GROUND SCANNER	1
19	JS012826FR	GLASS ADF SCANNER	1
20	ZC011825FR	TAPE GLASS ADF TOP SCANNER	2

Key	Part No	Description	Q'ty
	a-V153030803 b-V153030804		

# SCANNER SECTION\_2

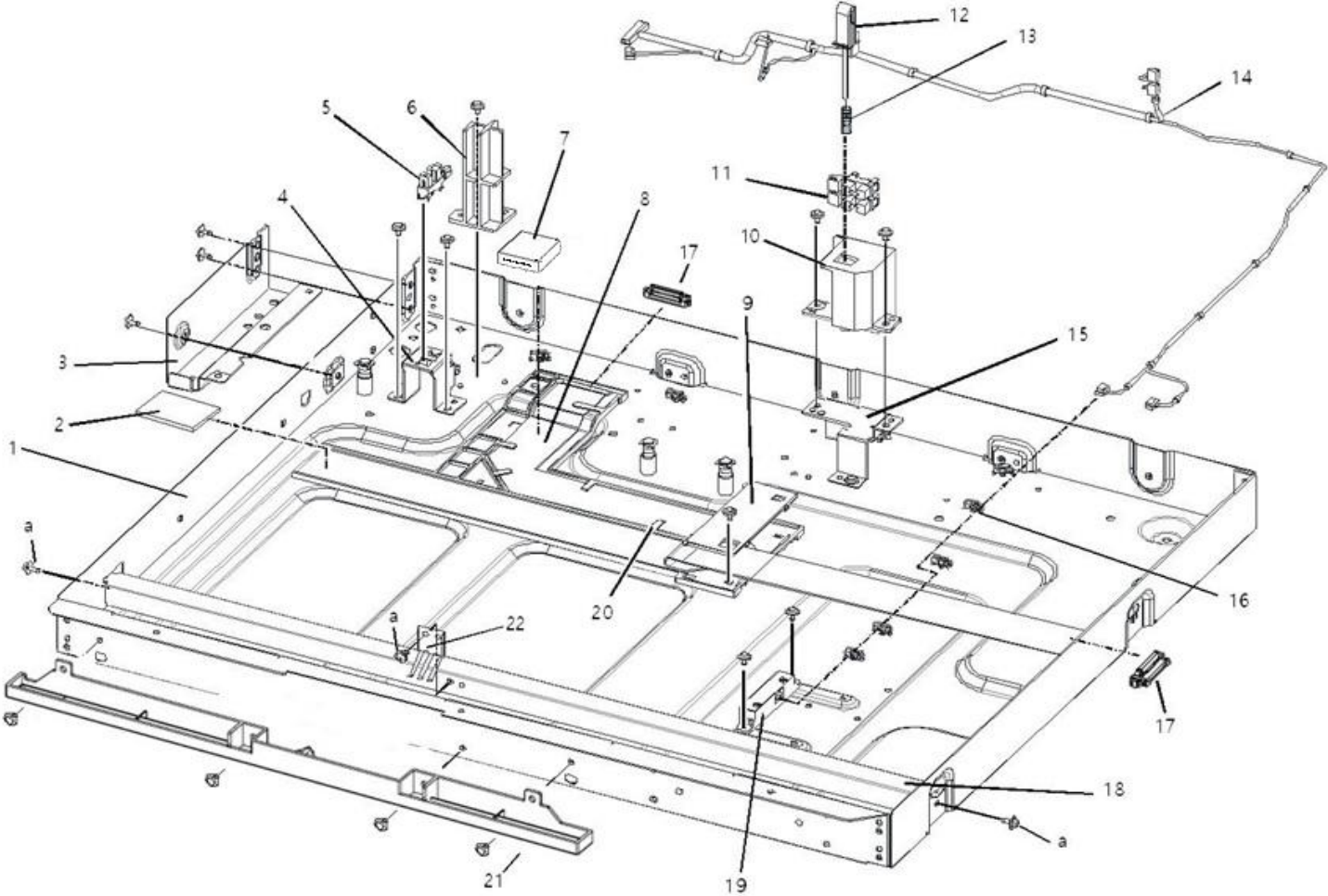


## SCANNER SECTION\_2

Key	Part No	Description	Q'ty
1	JS012801FR	SHAFT DRIVE	1
2	A7AH2807FR	ADJUSTING PLATE	1
3	A7AH2804FR	BELT	1
4	A7AH2805FR	PULLING SPRING	1
5	A7AH2818FR	SHOULDER SCREW	3
6	A161M103FR	STEPPING MOTOR(Φ24PM)	1
7	A4EU1380FR	SUPPORT RUBBER	3
8	A7AH2808FR	MOUNTING PLATE	1
9	A7AH2809FR	GEAR	1
10	A7AH2816FR	WASHER	1
11	A7AH2813FR	IDLING PULLEY	4
12	A7AH2814FR	ADJUSTING SCREW	1
13	JS02Z270FR	CCDM FRU	1

Key	Part No	Description	Q'ty
	a-V115030603		
	b-V205060003		
	c-V217050001		
	d-V218040086		

# SCANNER SECTION\_3



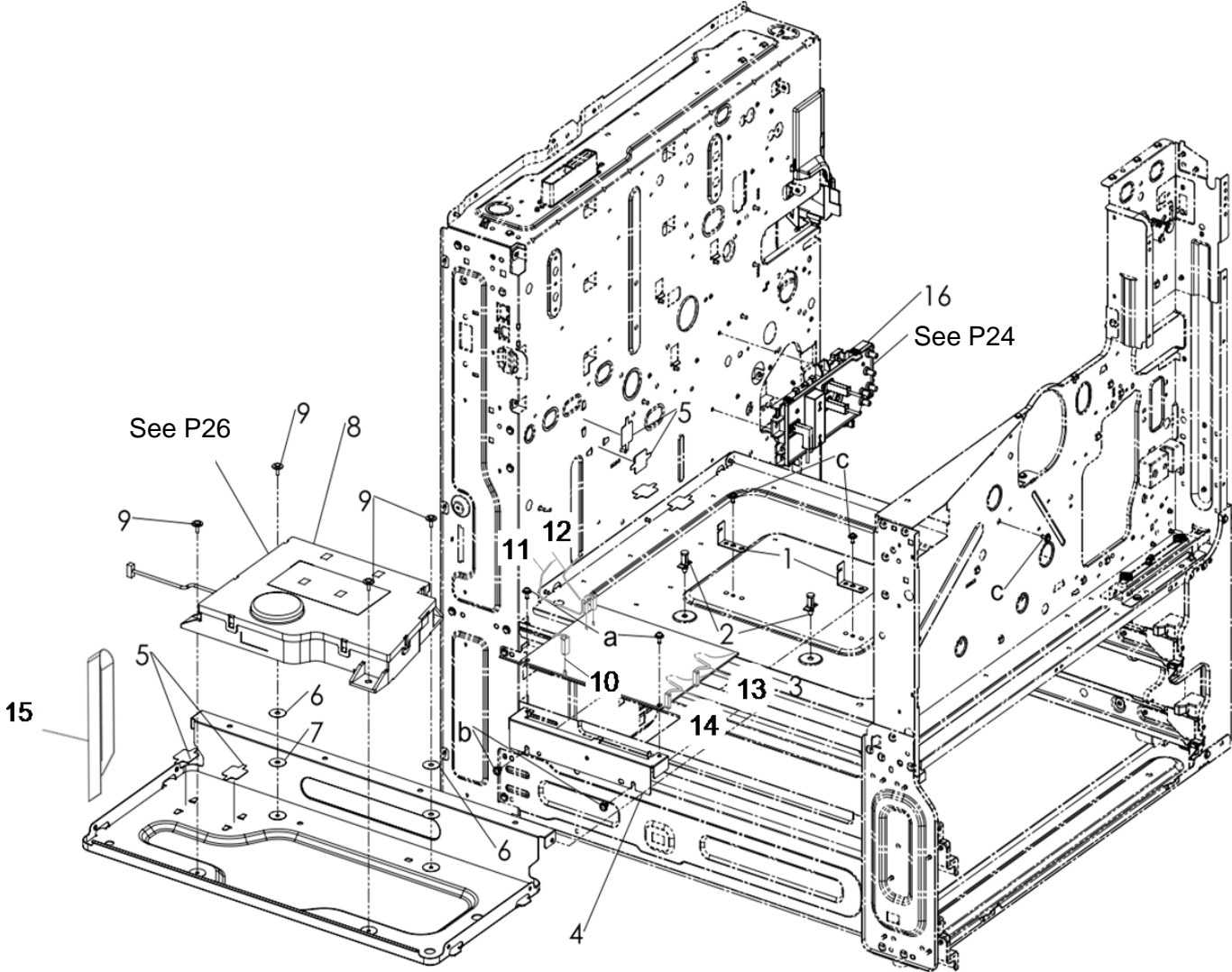


### SCANNER SECTION\_3

Key	Part No	Description	Q'ty
1	JS012611FR	FRAME BASE SCANNER	1
2	JS012851FR	SHEET FFC	1
3	JS012624FR	BKT SUPPORT SCANNER	1
4	A7AH2617FR	MOUNTING PLATE	1
5	A5C1M501FR	PHOTOINTERRUPTER	1
6	JS012626FR	SUPPORT UPPER COVER	1
7	A7AHM901FR	CORE:FERRITECORE	1
8	JS019652FR	M/H ASSY:CCD FFC(JUNIPER-S)	1
9	JS012621FR	COVER GUIDE FFC	1
10	ZC011757FR	HOUSING FLAG SENSOR ANGLE SCANNER	1
11	BL105319FR	SENSOR:PHOTO INTERRUPT:KODENSHI SG2481:1K	2
12	ZC011758FR	FLAG SENSOR ANGLE SCANNER	1
13	ZC011811FR	SPRING FLAG SENSOR ANGLE SCANNER	1
14	JS019651FR	M/H ASSY:SCANNER BUNDLE(JUNIPER-S)	1
15	JS012810FR	BRACKET HOUSING SENSOR ANGLE	1
16	11050758FR	CLAMP:HARNES CLAMP:LWSM-0306A	11
17	A7AHM900FR	CONNECTOR	2
18	JS012803FR	RAIL	1
19	A7AHM501FR	APS PHOTOREFLECTOR	1
20	JS012617FR	ASSY GUIDE FFC	1
21	JS022754FR	COVER BOTTOM	1
22	JS012817FR	EARTH PLATE RAIL	1

Key	Part No	Description	Q'ty
	a-V125030803 b-V144030603 c-V218040086		

# PH UNIT/HIGH VOLTAGE SECTION\_1

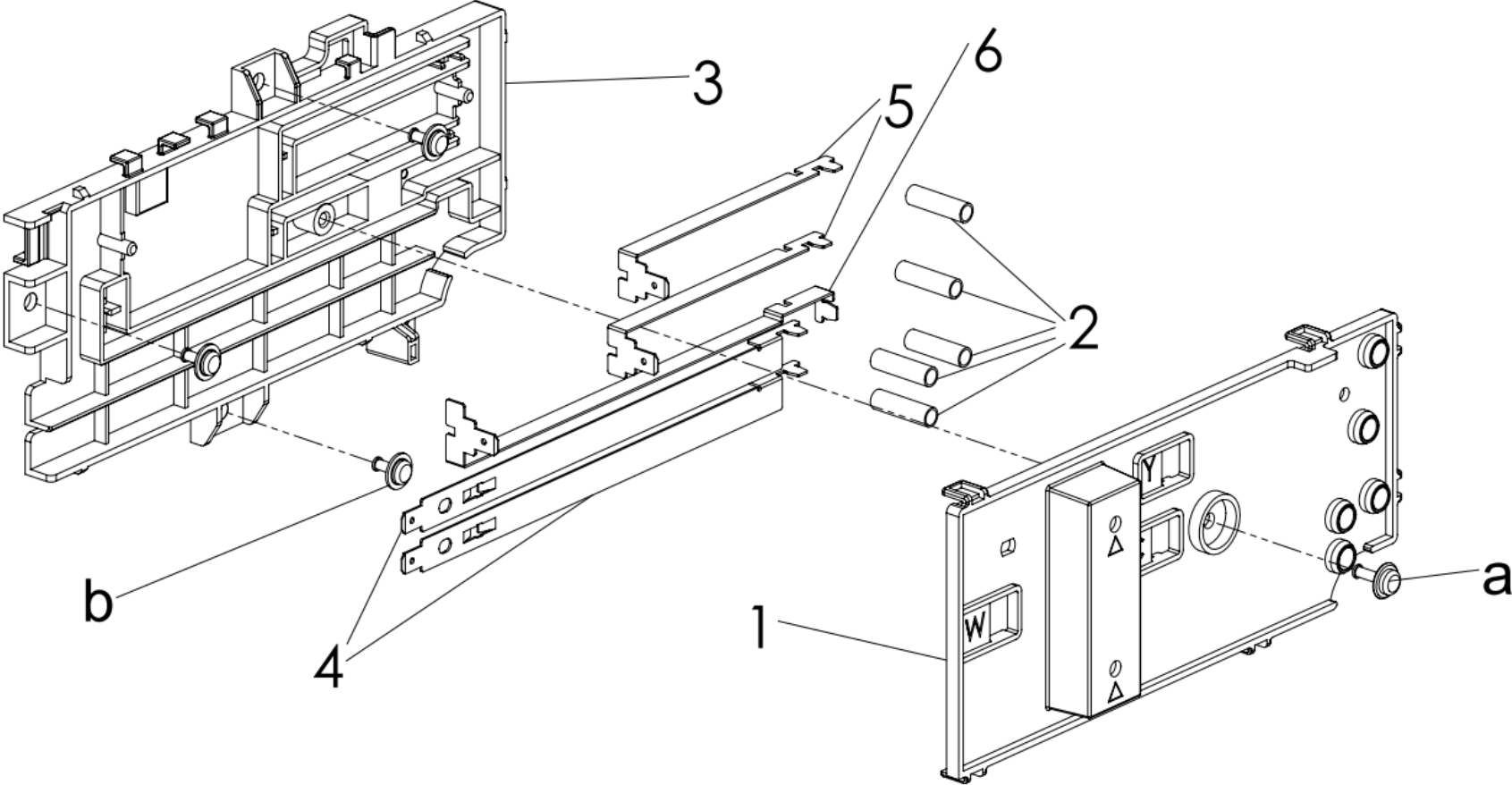


## PH UNIT/HIGH VOLTAGE SECTION\_1

Key	Part No	Description	Q'ty
1	JC011341FR	BKT:SUPPORT:HVPS	2
2	JC011338FR	CLAMP:SUPPORT:HVPS	2
3	JC019580FR	PCB:HVPS:JUNIPER	1
4	JC011342FR	BKT:STAY:HVPS	1
5	JC011339FR	MYLAR:GUIDE:FFC	4
6	40302053FR	SPACER	2
7	40302054FR	SPACER	2
*8-1	JS012900FR	FRU:LSU:1BEAM:JUNIPER (N620/N621)	(1)
8-2	JS022900FR	FRU:LSU:2BEAM:JUNIPER (N622/N623)	(1)
9	LA251656FR	SCREW:M3X8:PR:WASHER	4
10	JC019606FR	M/H ASSY:DEVELOPMENT HVPS(B)	1
11	JC019607FR	M/H ASSY:CLEANING HVPS(F)	1
12	JC019608FR	M/H ASSY:CHARGING HVPS(C)	1
13	JC019609FR	M/H ASSY:TRANSFER HVPS(T)	1
14	JC019610FR	M/H ASSY:DETACH HVPS(D)	1
15	JC019645FR	M/H ASSY:PH FFC	1
16	JC01A133FR	ASSY:CONTACT:HVPS	1

Key	Part No	Description	Q'ty
	a-V116030803 b-V125030818 c-V137030603		

# PH UNIT/HIGH VOLTAGE SECTION\_2

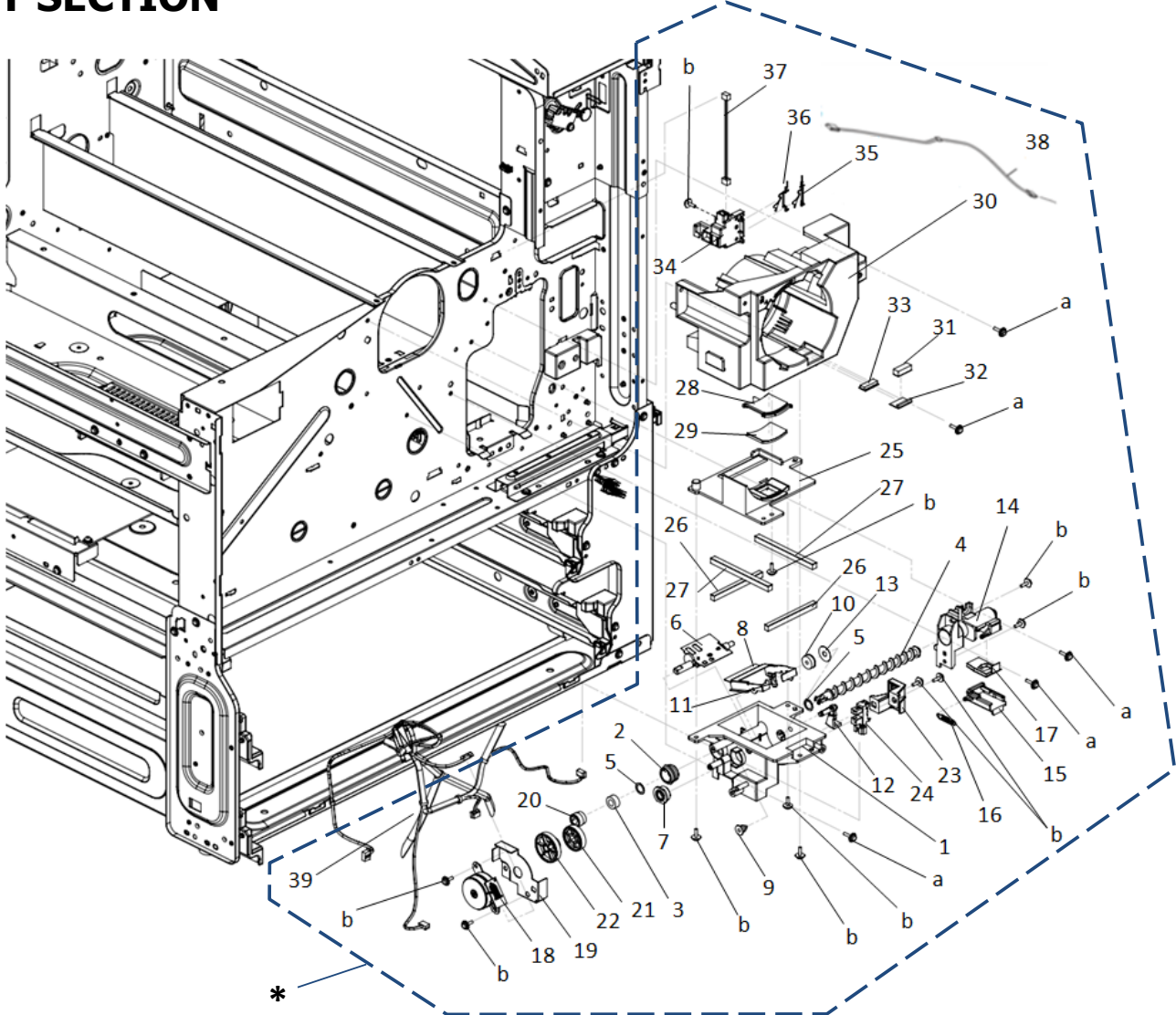


**PH UNIT/HIGH VOLTAGE SECTION\_2**

Key	Part No	Description	Q'ty
1	JC011360FR	CONTACT:HOLDER:UPPER	1
2	A7AH1378FR	CONTACT	5
3	JC011362FR	CONTACT:HOLDER:LOWER	1
4	JC011374FR	TERMINAL	2
5	JC011380FR	TERMINAL:DEV ROLLER	2
6	JC011375FR	TERMINAL:CHARGE ROLLER	1

Key	Part No	Description	Q'ty
	a-V153030803 b-V137030603		

# TONER SUPPLY SECTION

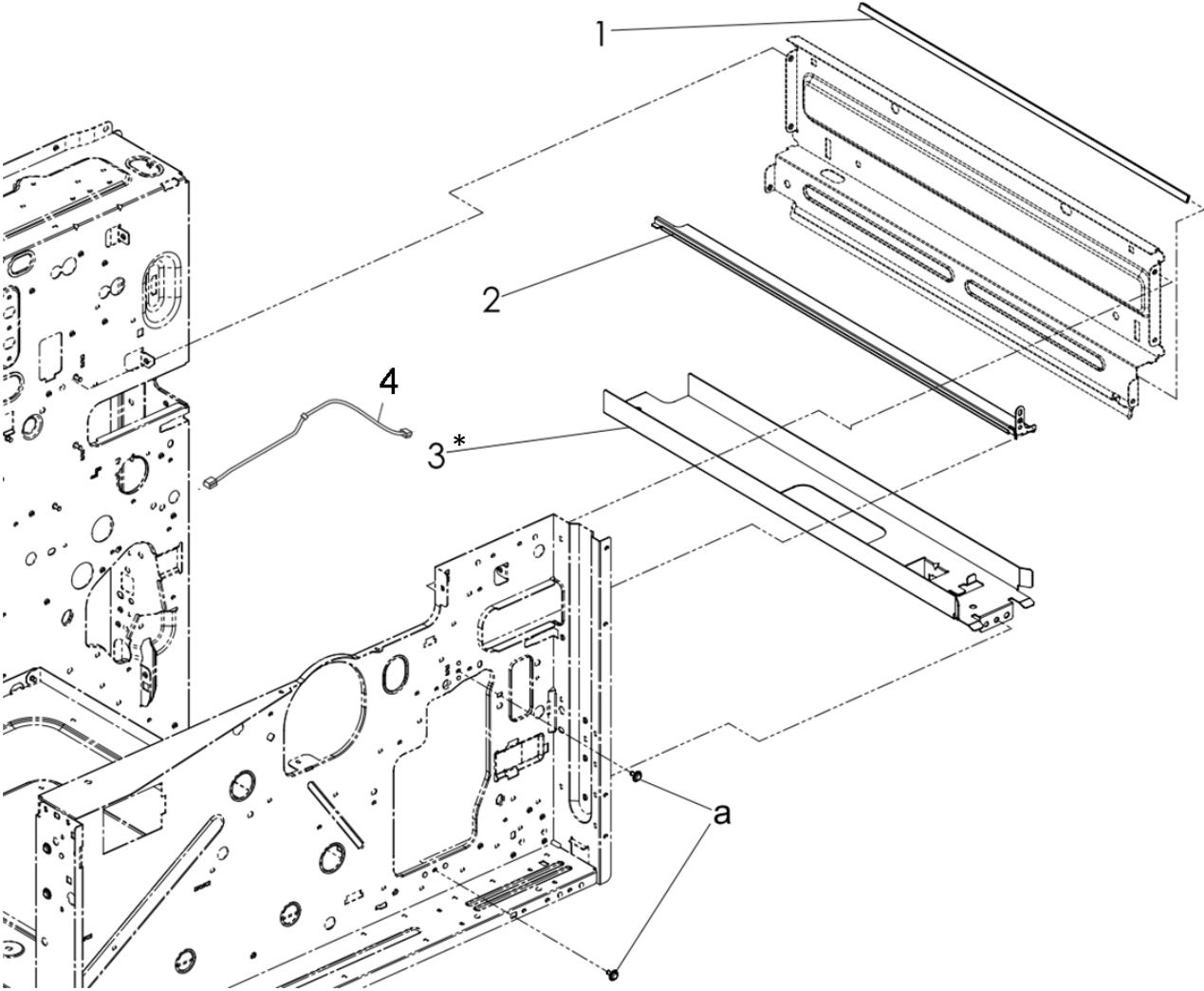


## TONER SUPPLY SECTION

Key	Part No	Description	Q'ty
*	JS01A400FR	FRU HOPPER:TONER:ASSY:TOTAL	1
1	JS014011FR	CASE:HOPPER:LOWER	1
2	A1614031FR	HOLDER	1
3	45765363FR	SEAL(HOPPER SHAFT)	1
4	JS014021FR	SCREW:TONER SUPPLY	1
5	89347034FR	SPACER	2
6	JS01A403FR	AGITATOR:TONER SUPPLY:ASSY	1
7	41635102FR	SLIP SHAFT RECEIVE	1
8	JS014041FR	PLATE:TONER SUPPLY DETECTIVE	2
9	A1614008FR	PIN	1
10	A1614006FR	DETECTION SEAL	1
11	A1614042FR	FIXED PLATE	1
12	A7AH4043FR	DETECTING ACTUATOR	1
13	A5C14046FR	WASHER	1
14	JS014051FR	BRACKET:SCREW:TONER SUPPLY	1
15	JS014053FR	SHUTTER:TONER SUPPLY	1
16	JS014052FR	SPRING:SHUTTER:TONER SUPPLY	1
17	JS014054FR	MYLAR:SHUTTER:TONER SUPPLY	1
18	A7AHM104FR	STEPPING MOTOR	1
19	JS014061FR	BRACKET:MOTOR:HOPPER:TONER SUPPLY	1
20	A1614010FR	GEAR	1
21	A1614011FR	GEAR	1
22	A7AH4013FR	GEAR	1
23	A7AH4007FR	MOUNTING PLATE	1
24	A5C1M501FR	PHOTO INTERRUPTER	1
25	JS014111FR	CASE:HOPPER:UPPER	1
26	JS014112FR	SEAL:HOPPER:FRONT	2
27	JS014113FR	SEAL:HOPPER:SIDE	2
28	JS014121FR	SHUTTER:HOPER:TONER SUPPLY	1
29	JS014122FR	SEAL:SHUTTER:HOPER:TONER SUPPLY	1
30	JS014132FR	COVER:TONER BOTTLE:2	1
31	A1614037FR	SEAL	1
32	A1614041FR	SEAL	1
33	A1614040FR	SEAL	1
34	JS014141FR	CASE:RECEIVER:SMART CHIP	1

Key	Part No	Description	Q'ty
35	JS014142FR	PLATE:RECEIVER:SMART CHIP:1ST	1
36	JS014143FR	PLATE:RECEIVER:SMART CHIP:2ND	1
37	JS019653FR	M/H ASSY:TONER SMART CHIP(JUNIPER-S)	1
38	JC019670FR	M/H ASSY:TONER SMART CHIP IF	1
39	JC019624FR	M/H ASSY:MAIN FRONT BUNDLE(JUNIPER-S)	1
	a-V137030603 b-V153030803		

# ERASE LAMP/DV-DR GUIDE SECTION



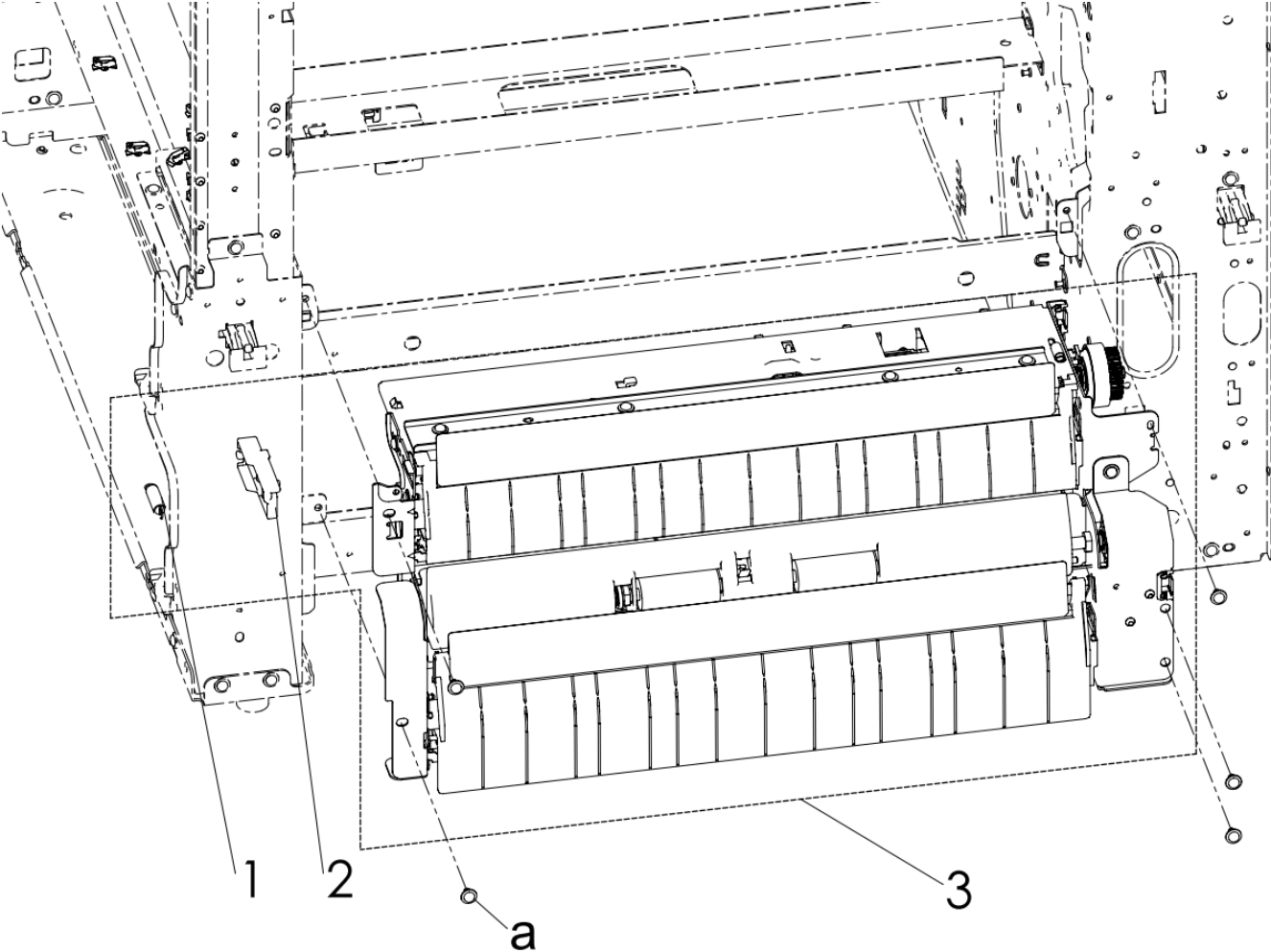


**ERASE LAMP/DV-DR GUIDE SECTION**

Key	Part No	Description	Q'ty
1	A161M309FR	ERASER LAMP	1
2	JC011121FR	GUIDE:RAIL:DR	1
*3-1	JC011150FR	BKT:RAIL:DV (N620/N621,26PPM/30PPM)	(1)
3-2	JS011150FR	BKT:RAIL:DV:JSH (N622/N623, 42PPM/48PPM)	(1)
4	JC019640FR	M/H ASSY:OUT_QL	1

Key	Part No	Description	Q'ty
	a-V137030603		

# PAPER FEED SECTION

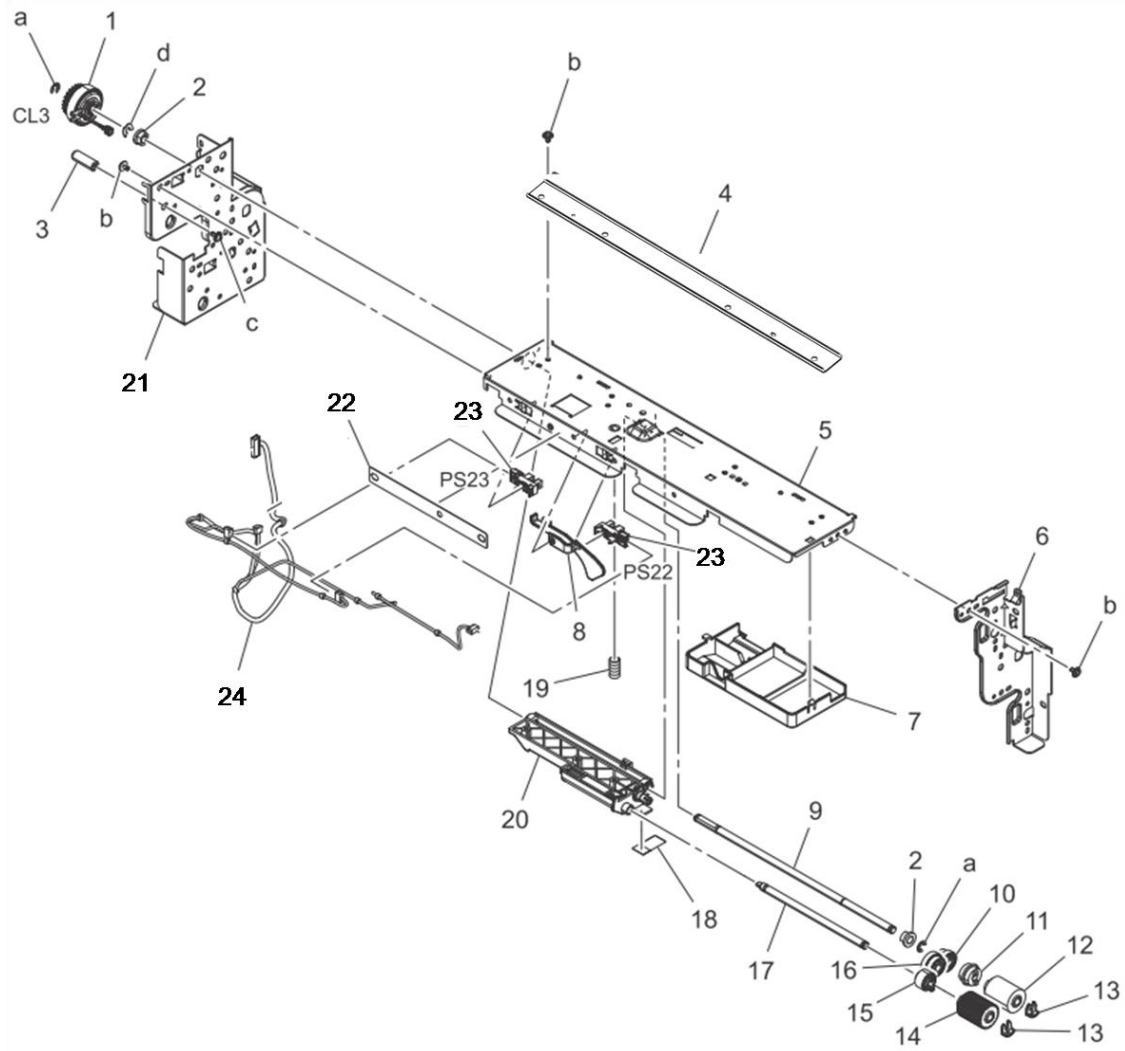


**PAPER FEED SECTION**

Key	Part No	Description	Q'ty
1	A7AH5689FR	PULLING COIL SPRING	1
2	A7AH5688FR	OPEN CLOSE LEVER	1
3	JC01A560FR	PAPER FEED ASSY.	1

Key	Part No	Description	Q'ty
	a-V144030603		

# 1ST PAPER FEED SECTION

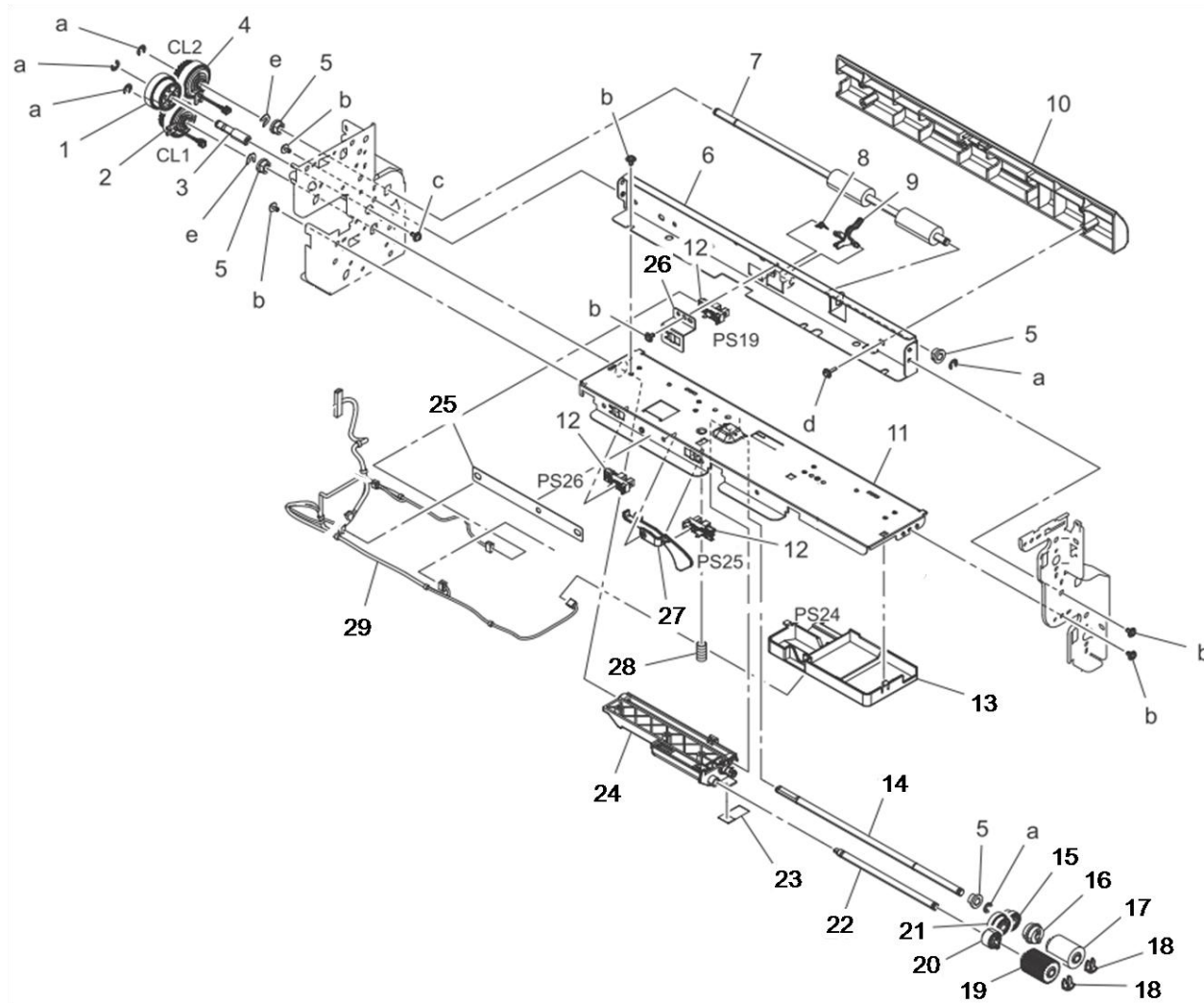


## 1ST PAPER FEED SECTION

Key	Part No	Description	Q'ty
1	A7AHM205FR	CLUTCH	1
2	A00J6632FR	BUSHING	2
3	A7AH5651FR	POSITIONING SHAFT	1
4	JC015660FR	BKT REINFORCE FEED	1
5	A7AH5653FR	PAPER FEED FRAME	1
6	A7AH5601FR	FRAME FRONT	1
7	A7AH5657FR	CONVEYANCE GUIDE 3	1
8	A7AH5616FR	DETECTING LEVER	1
9	A7AH5605FR	PAPER FEED SHAFT	1
10	A7AH5624FR	PAPER FEED GEAR	1
11	A02E5611FR	BEARING	1
12	A00J5636FR	ROLLER	1
13	56AA40490FR	SHAFT STOPPER:56AA4049	2
14	A5C15622FR	ROLLER PICUP	1
15	A7AH5626FR	CONVEYANCE GEAR	1
16	A7AH5623FR	IDLING GEAR	1
17	A7AH5634FR	SUPPORT SHAFT	1
18	A7AH5629FR	PROTECTION SHEET	1
19	A7AH5628FR	COMPRESSING COIL SPRING	1
20	A7AH5621FR	CONVEYANCE GUIDE 4	1
21	A7AH5602FR	FRAME REAR	1
22	A7AH5695FR	PROTECTION SEAL	1
23	A5C1M501FR	PHOTOINTERRUPTER	2
24	JC019634FR	M/H ASSY:1ST TRAY UNIT	1

Key	Part No	Description	Q'ty
	a-V217040001		
	b-V144030603		
	c-V125030803		
	d-V218040086		

# 2ND PAPER FEED SECTION\_1

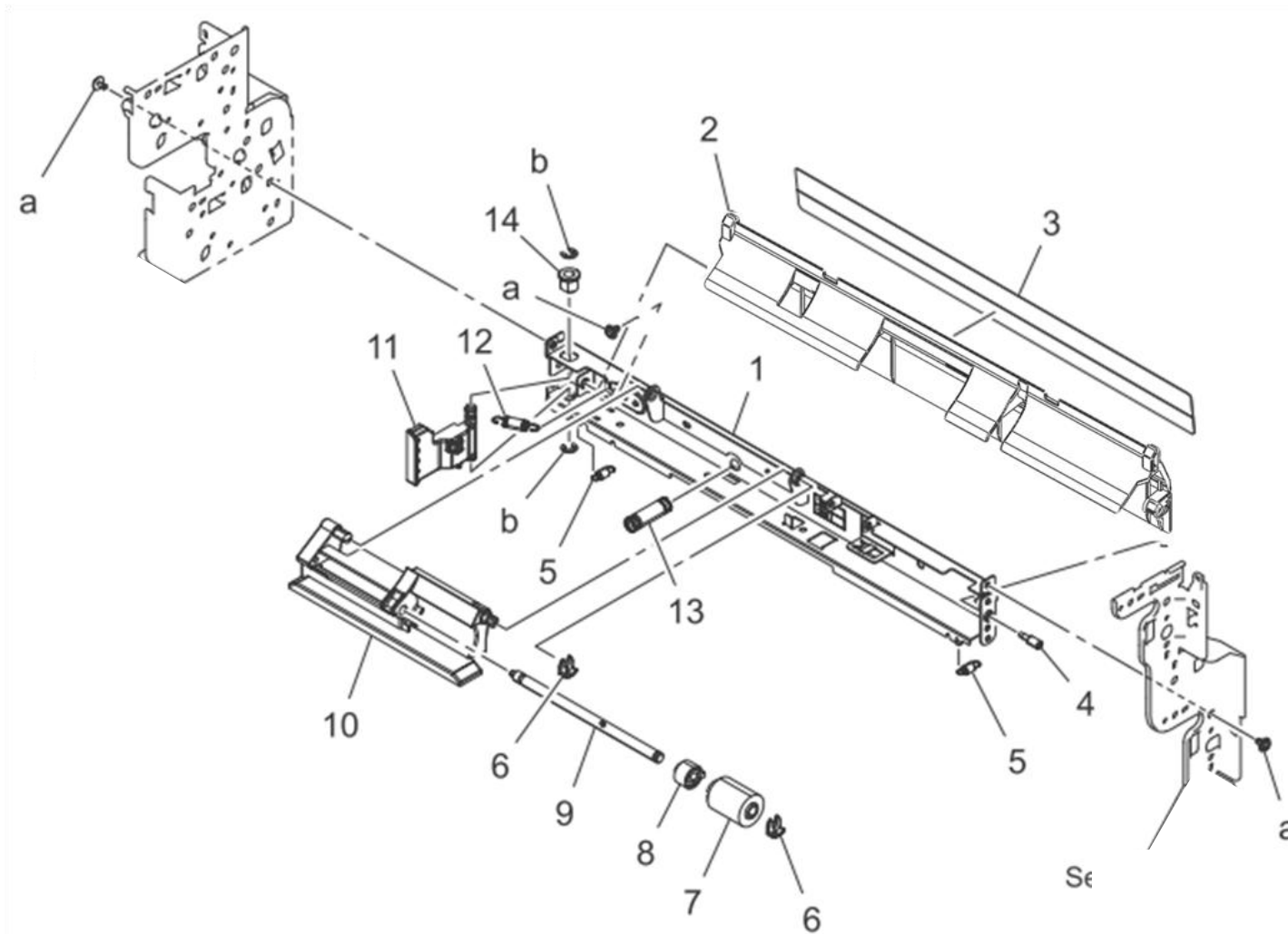


## 2ND PAPER FEED SECTION\_1

Key	Part No	Description	Q'ty
1	A7AH5637FR	GEAR	1
2	A7AHM205FR	CLUTCH	1
3	A7AH5638FR	SHAFT	1
4	A7AHM204FR	CLUTCH	1
5	A00J6632FR	BUSHING	4
6	A7AH5791FR	MOUNTING PLATE	1
7	A7AH5781FR	DRIVE ROLLER	1
8	A7AH5788FR	TORSION COIL SPRING	1
9	A7AH5786FR	ACTUATOR	1
10	A7AH5782FR	CONVEYANCE GUIDE	1
11	A7AH5653FR	PAPER FEED FRAME	1
12	A5C1M501FR	PHOTOINTERRUPTER	3
13	A7AH5657FR	CONVEYANCE GUIDE 3	1
14	A7AH5605FR	PAPER FEED SHAFT	1
15	A7AH5624FR	PAPER FEED GEAR	1
16	A02E5611FR	BEARING	1
17	A00J5636FR	ROLLER	1
18	56AA40490FR	SHAFT STOPPER:56A4049	2
19	A5C15622FR	ROLLER PICKUP	1
20	A7AH5626FR	CONVEYANCE GEAR	1
21	A7AH5623FR	IDLING GEAR	1
22	A7AH5634FR	SUPPORT SHAFT	1
23	A7AH5629FR	PROTECTING SHEET	1
24	A7AH5621FR	CONVEYANCE GUIDE 4	1
25	A7AH5695FR	PROTECTION SEAL	1
26	A7AH5793FR	MOUNTING PLATE	1
27	A7AH5616FR	DETECTING LEVER	1
28	A7AH5628FR	COMPRESSING COIL SPRING	1
29	JC019635FR	M/H ASSY:2ST TRAY UNIT	1

Key	Part No	Description	Q'ty
	a-V217040001		
	b-V144030603		
	c-V125030803		
	d-V153030803		
	e-V218040086		

## 2ND PAPER FEED SECTION\_2



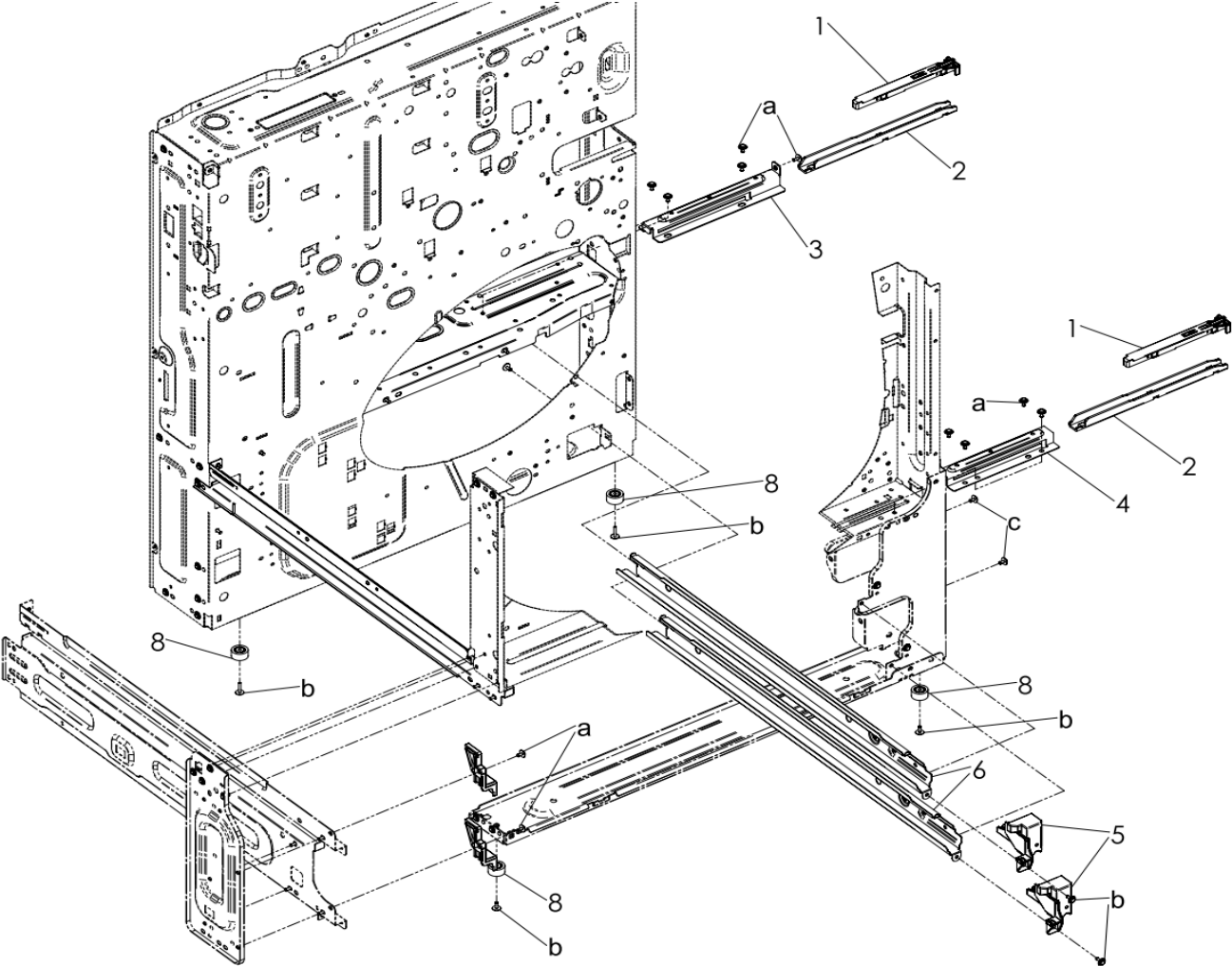


## 2ND PAPER FEED SECTION\_2

Key	Part No	Description	Q'ty
1	A7AH5639FR	FRAME	1
2	JC015784FR	PAPER FEED GUIDE	1
3	A7AH5685FR	GUIDE	1
4	A7AH5694FR	SHOULDER SCREW	1
5	JC015687FR	PULLING COIL SPRING	2
6	56AA40490FR	SHAFT STOPPER:56AA4049	2
7	A00J5636FR	ROLLER	1
8	A0ED5639FR	TORQUE LIMITER	1
9	A7AH5650FR	SUPPORT SHAFT	1
10	A7AH5631FR	HOLDER	1
11	A7AH5641FR	RELEASE LEVER	1
12	A7AH5644FR	PULLING COIL SPRING	1
13	A7AH5613FR	COMPRESSING COIL SPRING	1
14	A02E8152FR	BUSHING:Φ6	1

Key	Part No	Description	Q'ty
	a-V144030603 b-V217040001		

# CASSETTE RAIL SECTION

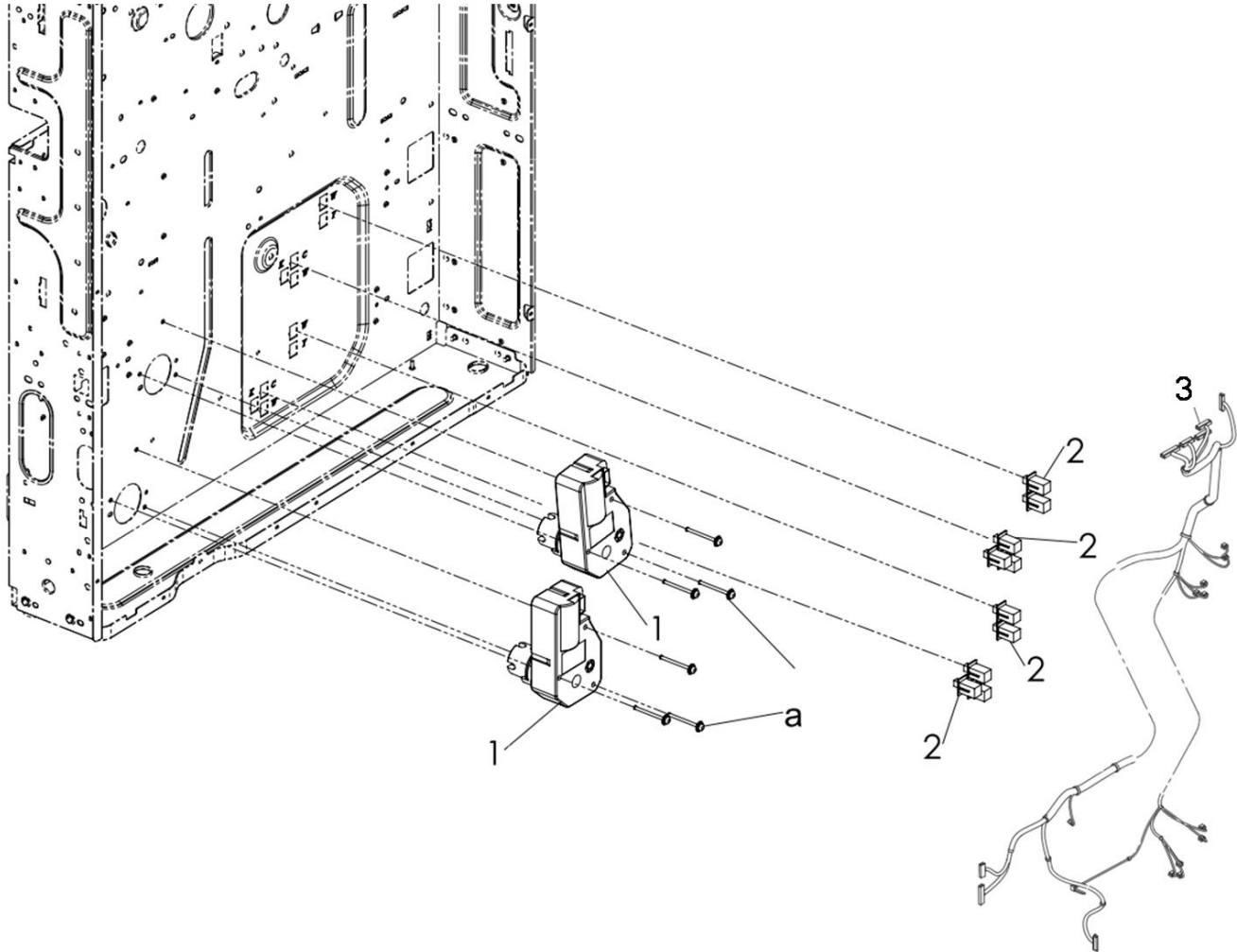


## CASSETTE RAIL SECTION

Key	Part No	Description	Q'ty
1	JS021018FR	COVER:GRIP	2
2	JC011017FR	GRIP:RIGHT	2
3	JC011019FR	BKT:GRIP UPPER:REAR	1
4	JC011016FR	GUIDE GRIP	1
5	JC011201FR	HOLDER:RAIL:RIGHT	2
6	JC011030FR	RAIL:RIGHT:CASSETTE	2
7	09963055FR	RUBBER FOOT	4

Key	Part No	Description	Q'ty
	a-V137030603		
	b-V144030803		
	c-V144030603		

# PAPER SIZE DETECTION

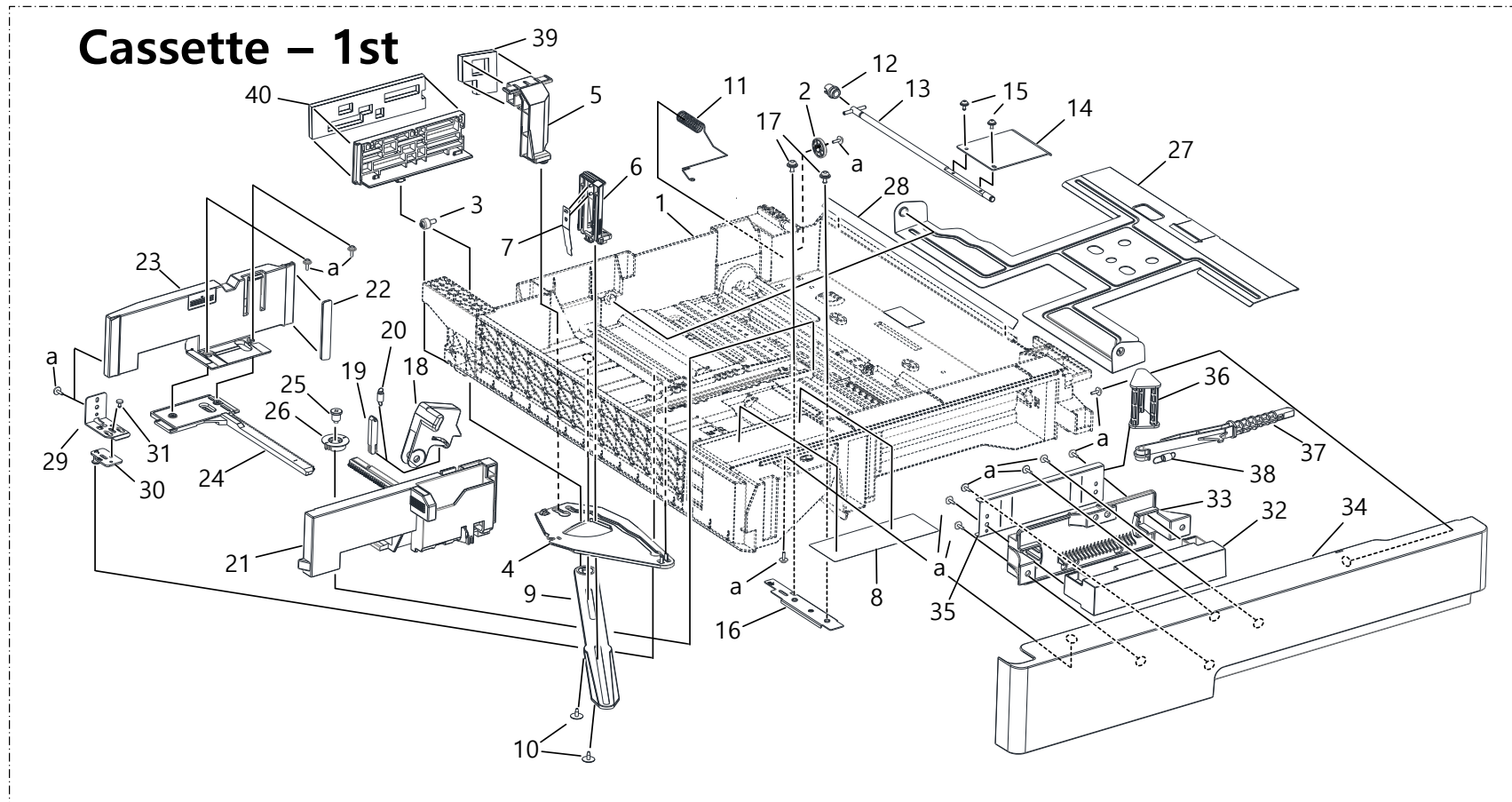


**PAPER SIZE DETECTION**

Key	Part No	Description	Q'ty
1	9J06M103FR	BRUSH MOTOR	2
2	A7AHM601FR	SWITCH	10
3	JC019621FR	M/H ASSY:MAIN UNDER BUNDLE	1

Key	Part No	Description	Q'ty
	a-V116033003		

# 1ST CASSETTE SECTION



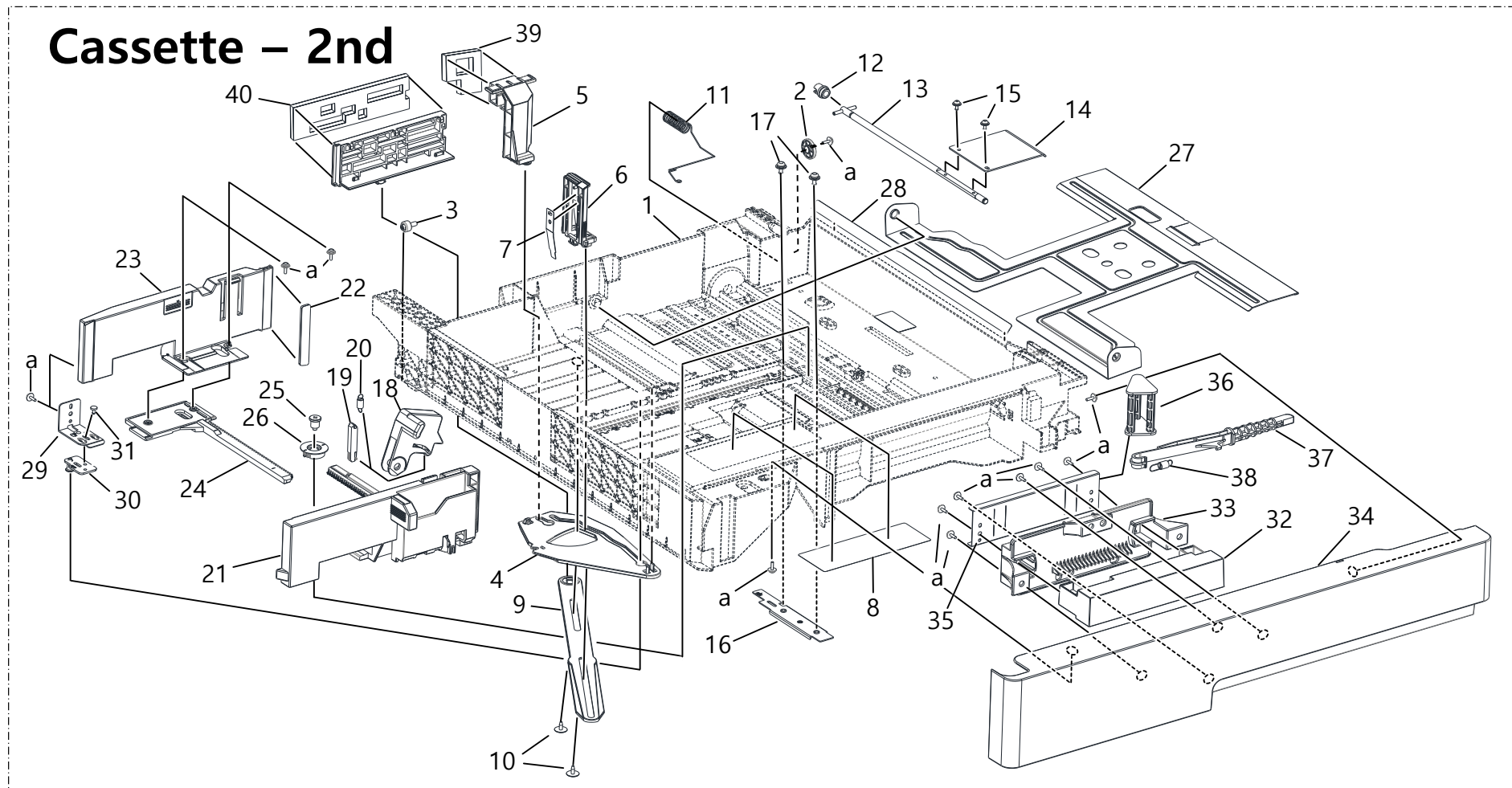
\*

## 1ST CASSETTE SECTION

Key	Part No	Description	Q'ty
*	JS02A621FR	Tray Assy 1st	1
1	JC016201FR	Cassette Feed Paper 1st	1
2	JC016299FR	Roller: Tray	1
3	ZC012861FR	Roller: Tray	1
4	A7AH6235FR	Lever (CD)	1
5	JC016236FR	Plate Detecting CD Tray	1
6	A7AH6217FR	Regulating plate	1
7	A7AH6218FR	Plate Spring	1
8	A7AH9410FR	LABEL	1
9	A7AH6214FR	Lever (FD)	1
10	41635293FR	MO;tap;M3x8;Flange12	2
11	A7AH6221FR	Ground Spring	1
12	A7AH6215FR	Slip Slip bearing (push-up)	1
13	A7AH6216FR	Lifting Shaft	1
14	40303206FR	Lift-up Plate	1
15	V125030818	Screw;PR;M3x8	2
16	A7AH6206FR	Adjusting Plate	1
17	V127040603	Screw;PR;tap;safety;M4x8	2
18	A7AH6213FR	Operation Lever	1
19	A7AH6212FR	Lock Lever/2	1
20	A7AH6210FR	Pulling Coil Spring	1
21	A7AH6208FR	Regulating Plate	1
22	A1616241FR	Cushion	2
23	A7AH6209FR	Regulating Plate;Rear	1
24	A7AH6224FR	Regulating Plate;Rear/2	1
25	A7AH6282FR	Shoulder Screw	1
26	A1616207FR	Gear;Pinion	1
27	A7AH6204FR	Lifting Plate	1
28	A7AH6270FR	Seperating Sheet	1
29	A7AH6226FR	Mounting Plate	1
30	A7AH6227FR	Adjusting Plate	1
31	V144040603N	Screw;TAP;CAP;SC TITE	1
32	JS016269FR	Handle; Tray	1
33	JS016275FR	Guide; Handle; Tray	1
34	JS026251FR	Cover; Tray	1

Key	Part No	Description	Q'ty
35	A7AH6243FR	Holder	1
36	A1616266FR	Lever; Cover	1
37	A7AH6241FR	Lever(Hook)	1
38	A1616268FR	Pulling Coil Spring	1
39	JC016298FR	SEAL: Plate detecting CD Tray	1
40	JC016297FR	SEAL: Plate detecting FD Tray	1
	a-V153030803		

# 2ND CASSETTE SECTION



\*

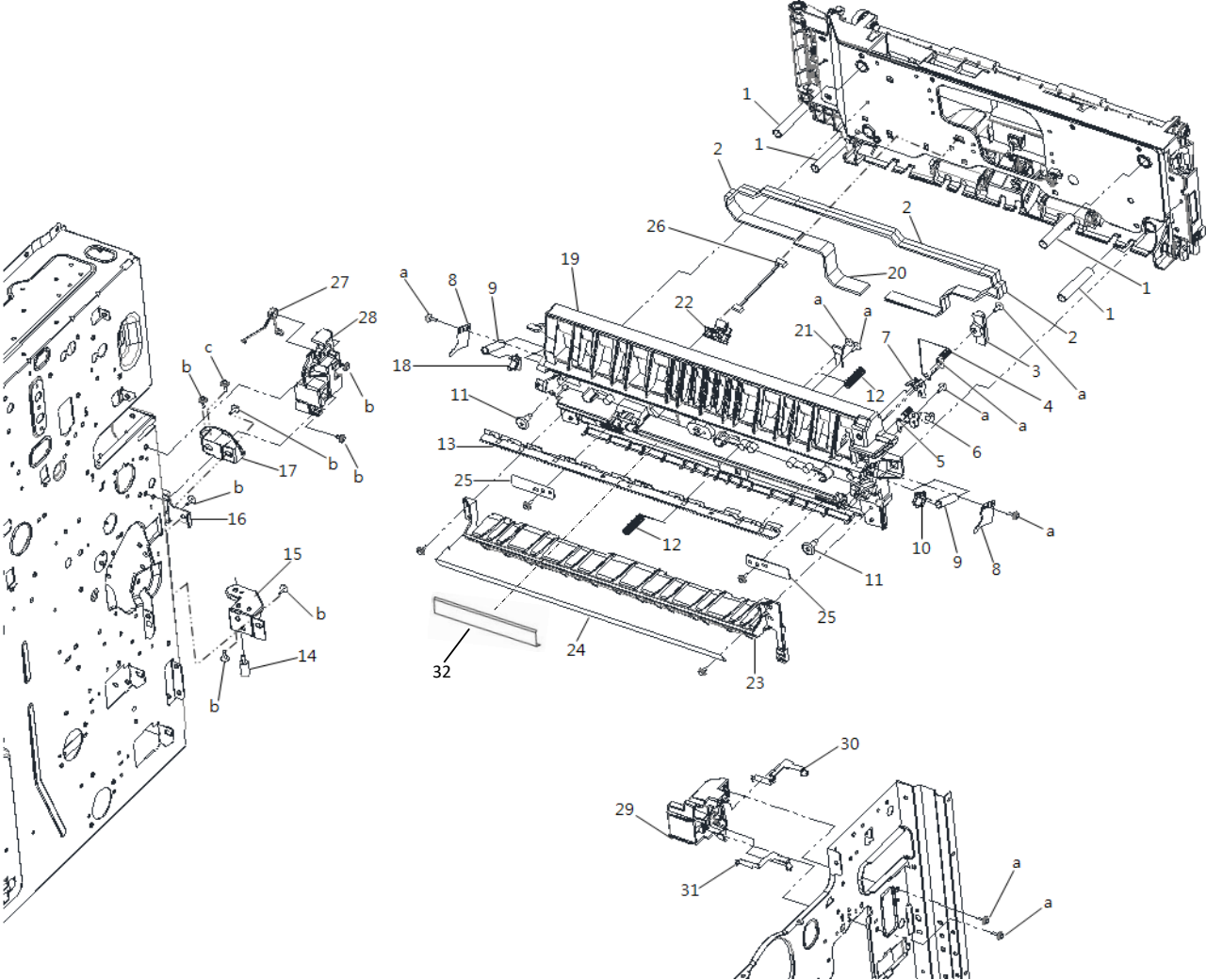


## 2ND CASSETTE SECTION

Key	Part No	Description	Q'ty
*	JS02A622FR	Tray Assy 2nd	1
1	JC016301FR	Cassette Feed Paper 2nd	1
2	JC016299FR	Roller: Tray	1
3	ZC012861FR	Roller: Tray	1
4	A7AH6235FR	Lever (CD)	1
5	JC016236FR	Plate Detecting CD Tray	1
6	A7AH6217FR	Regulating plate	1
7	A7AH6218FR	Plate Spring	1
8	A7AH9410FR	LABEL	1
9	A7AH6214FR	Lever (FD)	1
10	41635293FR	MO;tap;M3x8;Flange12	2
11	A7AH6221FR	Ground Spring	1
12	A7AH6215FR	Slip Slip bearing (push-up)	1
13	A7AH6216FR	Lifting Shaft	1
14	40303206FR	Lift-up Plate	1
15	V125040818	Screw;PR;M3x8	2
16	A7AH6206FR	Adjusting Plate	1
17	V127040603	Screw;PR;tap;safty;M4x8	2
18	A7AH6213FR	Operation Lever	1
19	A7AH6212FR	Lock Lever/2	1
20	A7AH6210FR	Pulling Coil Spring	1
21	A7AH6208FR	Regulating Plate	1
22	A1616241FR	Cushion	2
23	A7AH6209FR	Regulating Plate;Rear	1
24	A7AH6224FR	Regulating Plate;Rear/2	1
25	A7AH6282FR	Shoulder Screw	1
26	A1616207FR	Gear;Pinion	1
27	A7AH6204FR	Lifting Plate	1
28	A7AH6270FR	Seperating Sheet	1
29	A7AH6226FR	Mounting Plate	1
30	A7AH6227FR	Adjusting Plate	1
31	V144040603N	Screw;TAP;CAP;SC TITE	1
32	JS016269FR	Handle; Tray	1
33	JS016275FR	Guide; Handle; Tray	1
34	JS026251FR	Cover; Tray	1

Key	Part No	Description	Q'ty
35	A7AH6243FR	Holder	1
36	A1616266FR	Lever; Cover	1
37	A7AH6242FR	Lever(Hook)	1
38	A1616268FR	Pulling Coil Spring	1
39	JC016298FR	SEAL: Plate detecting CD Tray	1
40	JC016297FR	SEAL: Plate detecting FD Tray	1
	a-V153030803		

# VERTICAL TRANSPORT SECTION\_1

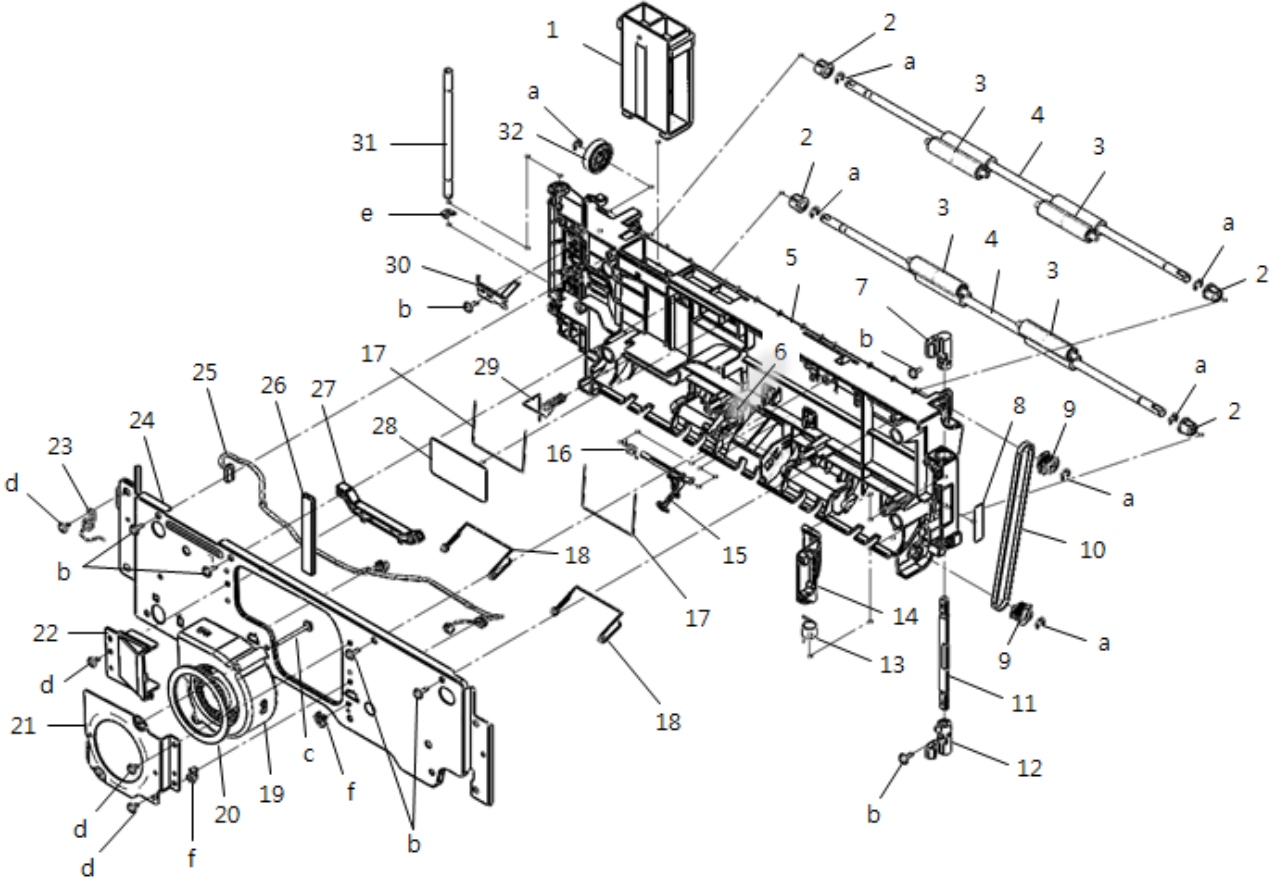


### **VERTICAL TRANSPORT SECTION\_1**

Key	Part No	Description	Q'ty
1	A7AH7077FR	Compressing Spring	4
2	A7AH7082FR	Seal	3
3	A7AH7045FR	Holder	1
4	A7AH7044FR	Contact	1
5	A7AH7036FR	Contact	1
6	A7AH7004FR	Contact	1
7	A7AH7005FR	Contact	1
8	A7AH7076FR	Reinforce Plate	2
9	40304207FR	Pressure Spring	2
10	A7AH7034FR	Holde	1
11	A7AH7088FR	Shoulder Screw	2
12	A7AH7019FR	Compressing Coil Spring	2
13	11644202FR	Neutralizing Needle	1
14	A7AH8177FR	Shoulder Screw	1
15	A7AH8167FR	Mounting Plate	1
16	A7AH8170FR	Cover	1
17	A7AH8163FR	Mounting Plate	1
18	A7AH7035FR	Holder	1
19	JS017001FR	Conveyance Holder	1
20	A7AH7085FR	Seal	1
21	V80050030FR	Fixed Power Resistors	1
22	N0013901FR	P-Sensor	1
23	JS018180FR	Guide	1
24	JS018181FR	Guide /Sheet	1
25	JS017024FR	Plate	2
26	JC019633FR	M/H ASSY:ADU MIDDLE UNIT 2	1
27	A7AH7049FR	Spring	1
28	A7AH7047FR	Holder	1
29	A7AH7042FR	Holder	1
30	A7AH7072FR	Plate	1
31	A7AH7071FR	Plate	1
32	JS017095FR	GUIDE MYLAR:TRANSPORT	1

Key	Part No	Description	Q'ty
	a-V153030803 b-V144030603 c-V125030803		

# VERTICAL TRANSPORT SECTION\_2

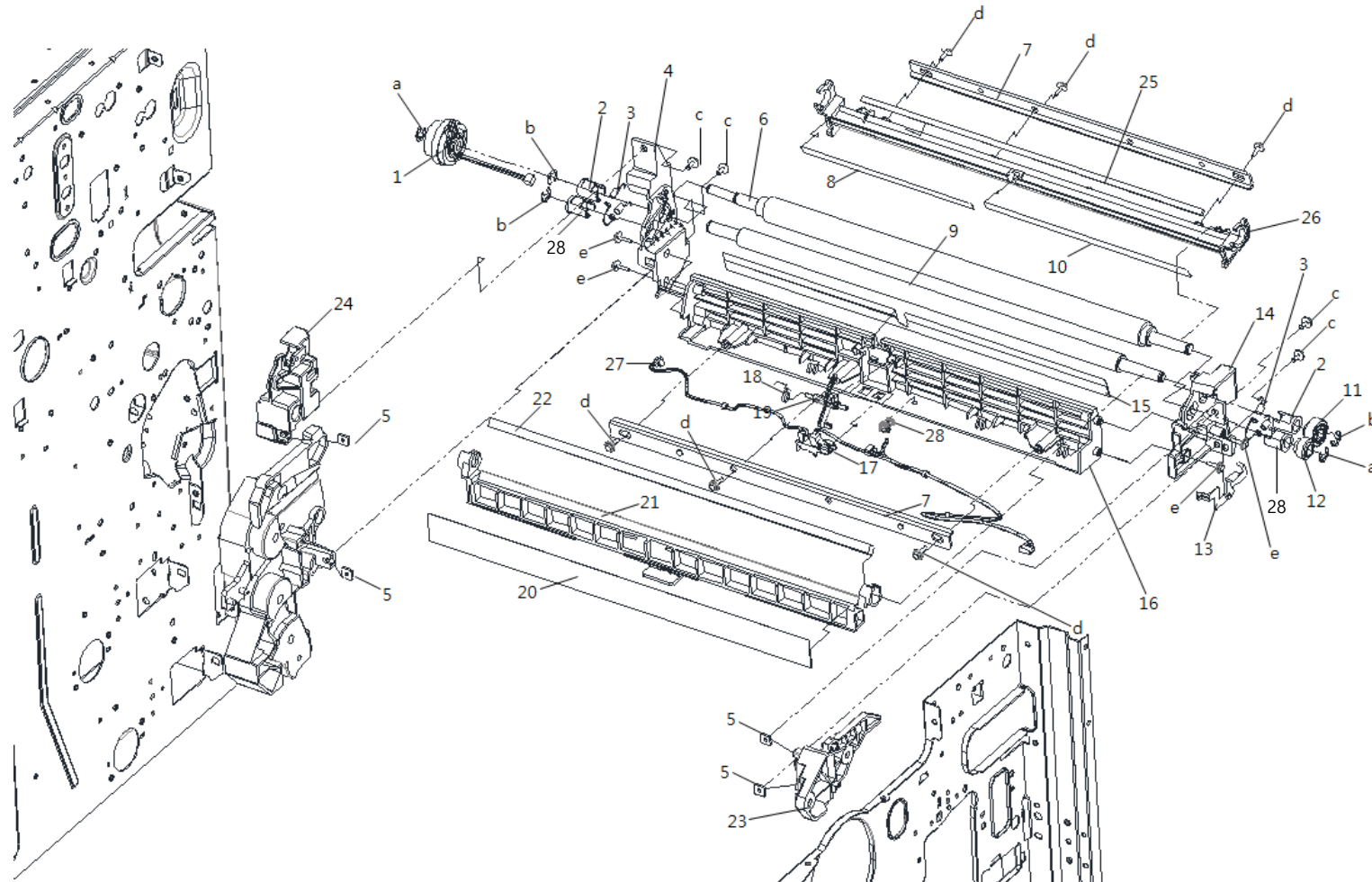


## VERTICAL TRANSPORT SECTION\_2

Key	Part No	Description	Q'ty
1	JC01A145FR	ASSY:FILTER:TRANSPORT	1
2	A02E8152FR	BUSHING	4
3	A5C18257FR	IDLER ROLLER /A	4
4	A7AH8165FR	ROLLER	2
5	JS018160FR	GUIDE:TRANSPORT:DUPLEX	1
6	A5C1M501FR	PHOTOINTERRUPTER	1
7	A1617113FR	LOCK SHAFT /A	1
8	ZC014664FR	CLEAR JAM MIDDLE	1
9	A0ED8117FR	PULLEY:22T:ADU	2
10	JS018173FR	TIMING BELT:S2M300	1
11	A7AH7010FR	SHAFT	1
12	A1617115FR	LOCK SHAFT /C	1
13	A7AH7011FR	SPRING	1
14	JS017009FR	HANDLE:TRANSPORT	1
15	JS018135FR	ACTUATOR	1
16	A7AH8128FR	TORSION COIL SPRING	1
17	A1617146FR	CONVEYANCE SPRING /B	2
18	A7AH8129FR	SPRING	2
19	JC01M102FR	FAN:TRANSPORT	1
20	A7AH8191FR	SEAL C 1	1
21	A7AH8190FR	MOUNTING PLATE	1
22	A7AH8192FR	DUCT	1
23	A7AH8171FR	GROUND SPRING	1
24	JS018166FR	REINFORCE PLATE:DUPLEX	1
25	JC019632FR	M/H ASSY:ADU MIDDLE UNIT1	1
26	A7AH8193FR	SEAL	1
27	JC018195FR	GUIDE:HARNES:TRANSPORT	1
28	A7AH8168FR	SEAL	1
29	JS018162FR	EARTH SPRING	1
30	A7AH8161FR	GROUND PLATE	1
31	A7AH8164FR	SUPPORT SHAFT	1
32	A7AH8172FR	GEAR	1

Key	Part No	Description	Q'ty
	a-V217040001		
	b-V153030803		
	c-V116033503		
	d-V144030603		
	e-V218040086		
	f-11050758		

# REGISTRATION SECTION

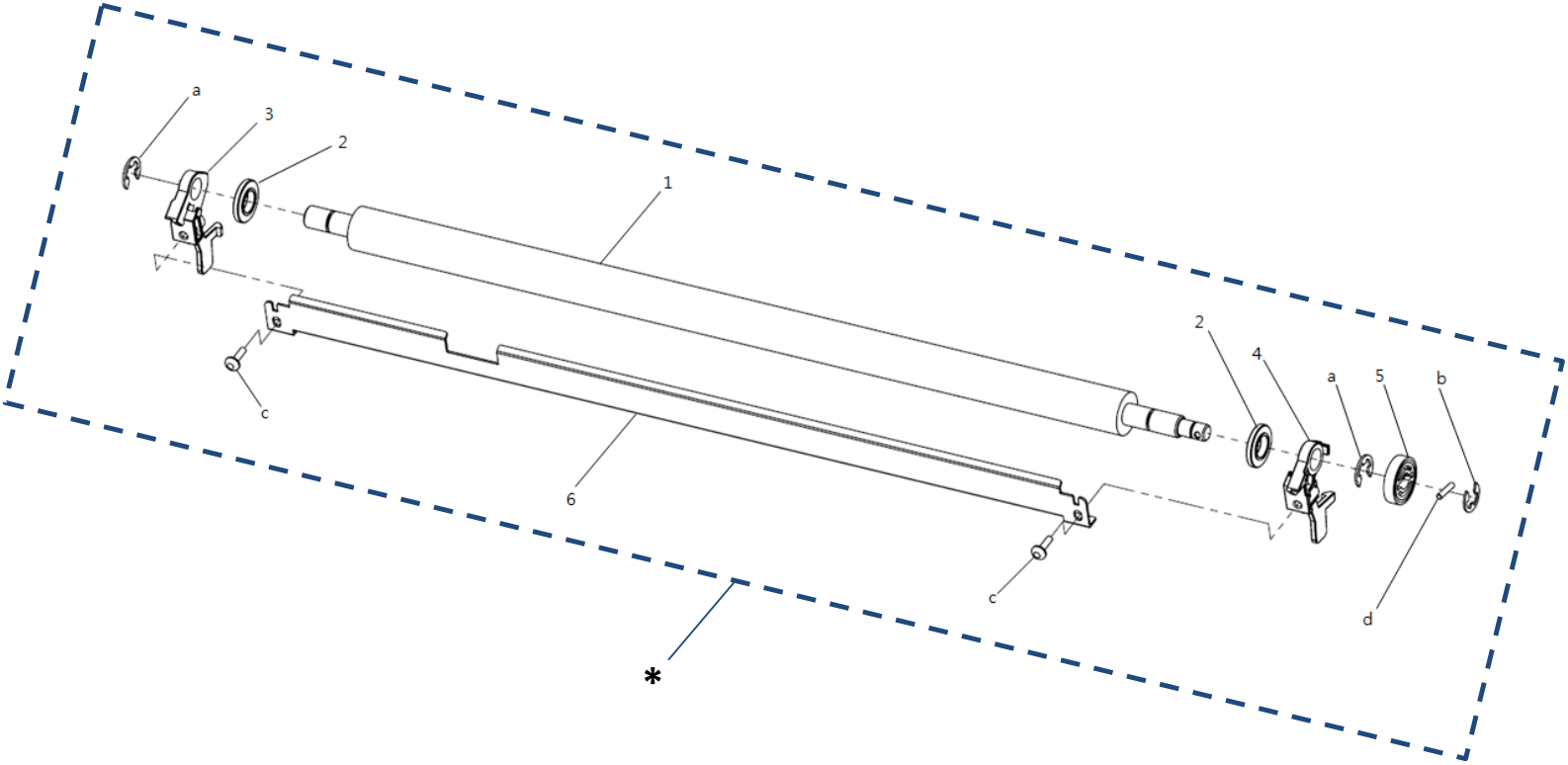


**REGISTRATION SECTION**

Key	Part No	Description	Q'ty
1	A02EM202FR	Clutch	1
2	A7AH7032FR	Bushing	2
3	A7AH7033FR	Registration Spring	2
4	JS017069FR	Holder	1
5	40025042FR	Plate Nut	4
6	A7AH7030FR	Registration Roller	1
7	JS017129FR	Reinforcement BKT	2
8	JS017040FR	GUIDE	1
9	A7AH7031FR	Registration Roller	1
10	JS017038FR	Guide Sheet	1
11	A7AH7075FR	Gear 18T	1
12	11643515FR	GEAR 13T	1
13	JS017022FR	Ground Plate	1
14	JS017074FR	Holder	1
15	JS017041FR	Guide Sheet /Lower	1
16	JS017020FR	Registration Guide /Lower	1
17	A5C1M501FR	Photointerrupter	1
18	A1617011FR	Spring	1
19	JS017017FR	Registration Actuator	1
20	JS017027FR	Sheet	1
21	JS017026FR	Box /Remover	1
22	JS017094FR	Remover	1
23	JS017046FR	Holder	1
24	JS017047FR	Holder	1
25	JS017090FR	Remover	1
26	JS017021FR	Registration Guide /Upper	1
27	JC019630FR	M/H ASSY:REGIST UNIT	1
28	A1617022FR	Bushing	2

Key	Part No	Description	Q'ty
	a-V217040001		
	b-V217050001		
	c-V116031003		
	d-V144030803		
	e-V1530301003		

# TRANSFER PARTS



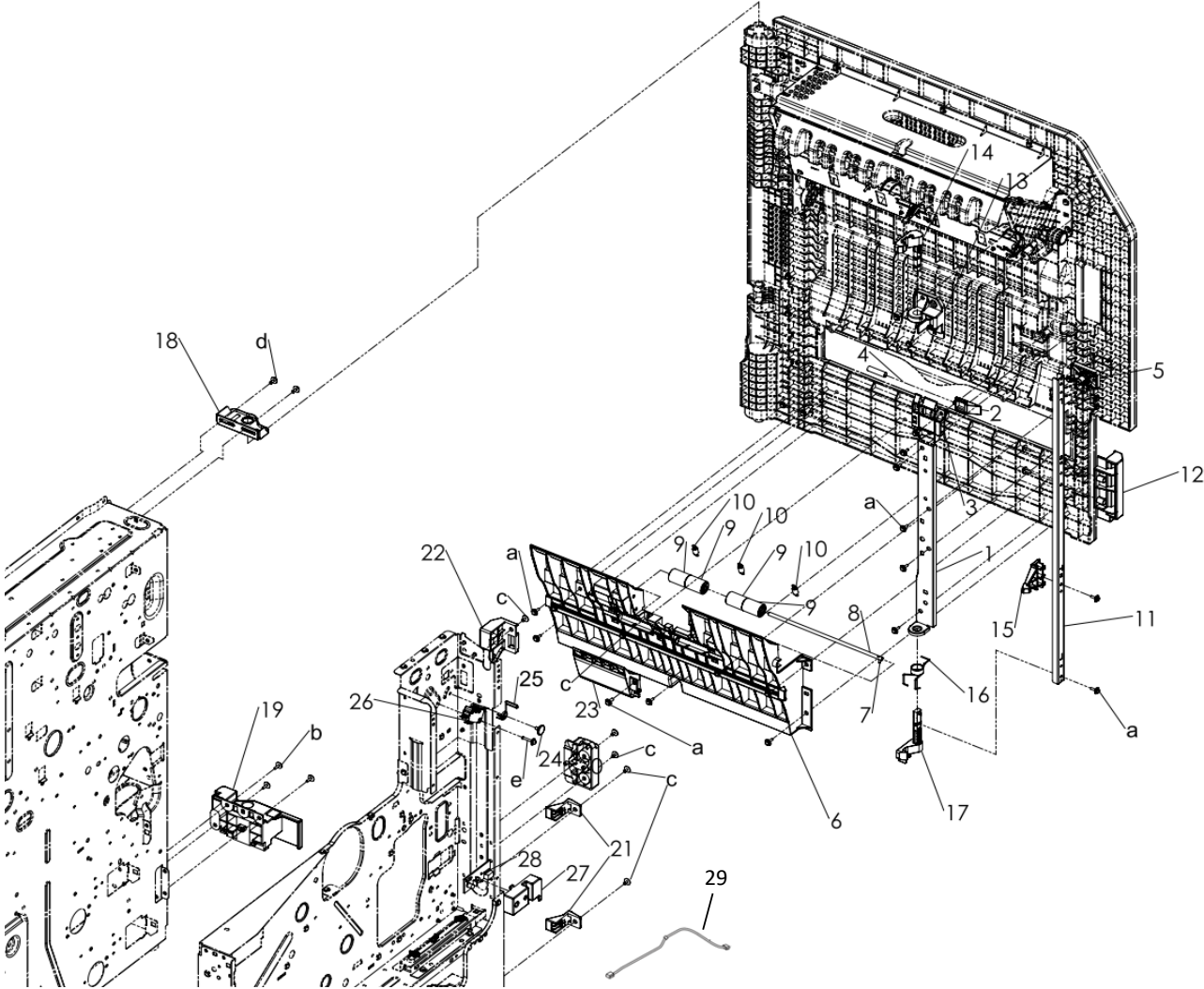


## TRANSFER PARTS

Key	Part No	Description	Q'ty
*	JS01A500FR	UNIT:TRANSFER:JUNIPER	1
1	JS015000FR	ROLLER:TRANSFER	1
2	A7AH5006FR	RING	2
3	JS015003FR	HOLDER:TRANSFER:REAR	1
4	JS015002FR	HOLDER:TRANSFER:FRONT	1
5	A7AH5005FR	GEAR	1
6	JS015001FR	GUIDE TRANSFER	1

Key	Part No	Description	Q'ty
	a-V217060001		
	b-V217050001		
	c-V145030803		
	d-V234201050		

# VERTICAL CONVEYANCE DOOR SECTION

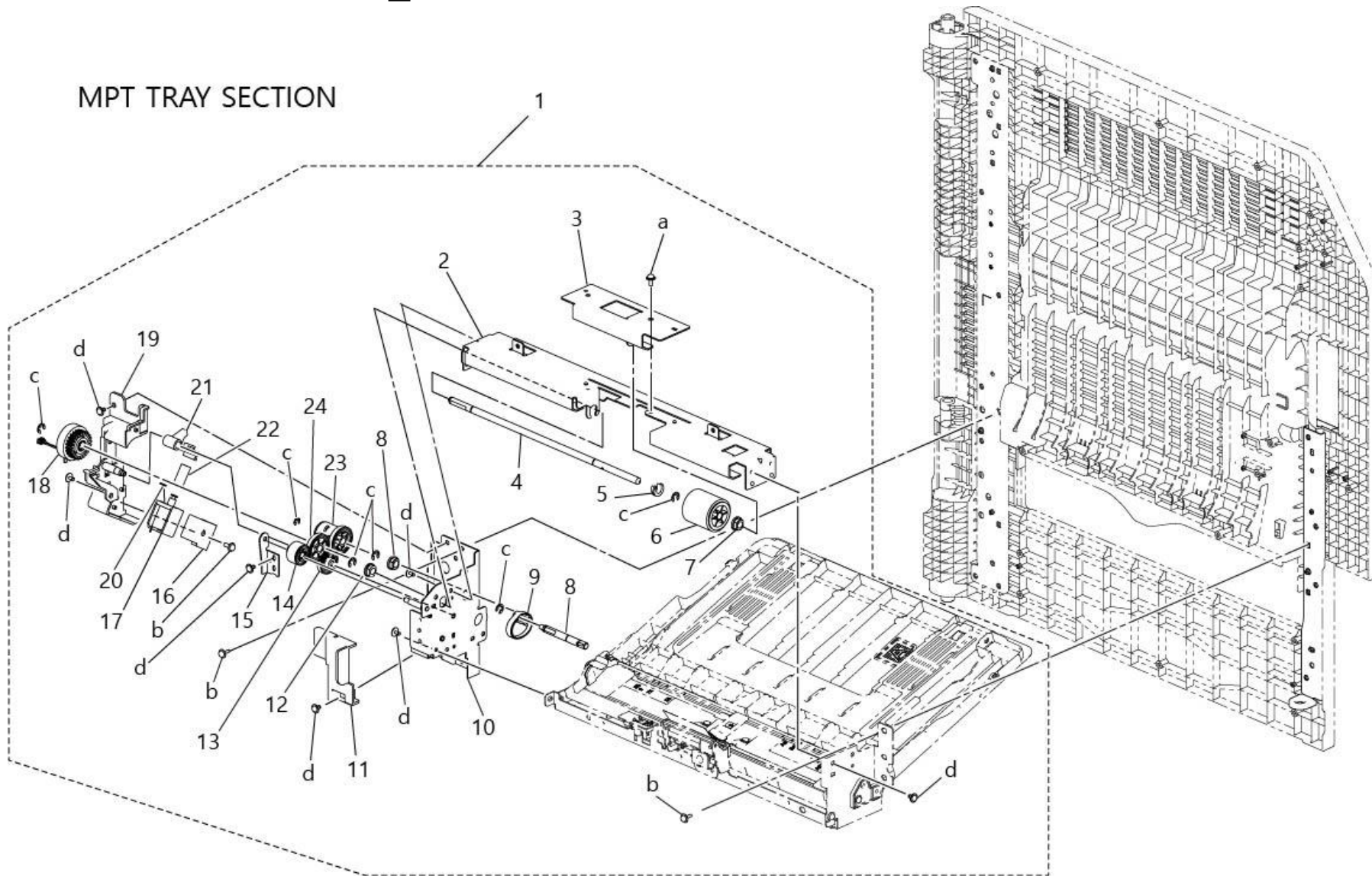


## VERTICAL CONVEYANCE DOOR SECTION

Key	Part No	Description	Q'ty
1	A7AH7057FR	REINFORCE PLATE	1
2	A7AH7058FR	OPEN CLOSE CLAW	1
3	JC017059FR	GUIDE:SMALL:R/C	1
4	A1618158FR	SPRING:SWING:CALW	1
5	A7AH7053FR	PIN	1
6	JS017054FR	GUIDE:TRANSPORT:LOWER	1
7	V233201050FR	SHAFT:PIN	1
8	Z1618153FR	SHAFT:VERTICAL CONVEYANCE	1
9	A1618154FR	ROLL:FEED	4
10	A1618155FR	SPRING:PULL:CONVEYANCE:BOTTOM	3
11	A7AH7060FR	LOCK PLATE	1
12	JS027067FR	HANDLE:R/C	1
13	A7AH7052FR	SENSOR LEVER	1
14	A0ED7121FR	LOCK:DOOR:UPPER	1
15	JC017066FR	LOCK:DOOR:MIDDLE:R/C	1
16	A1618159FR	SPRING:TORSION:DOOR:BAR	1
17	A7AH7065FR	LOCK CLAW LOWER	1
18	JC017061FR	HINGE:UPPER:R/C	1
19	JS027062FR	HINGE:LOWER:R/C	1
20	A7AH7063FR	POSITIONING PART	1
21	A7AH7064FR	HOLDER	2
22	A7AH7055FR	HOLDER	1
23	ZC014374FR	GUIDE:SUB:MPT	1
24	A1611371FR	STEP SCREW	1
25	Z1611512FR	SCREW COIL SPRING	1
26	9J06M601FR	MICRO SWITCH	1
27	JC011155FR	COVER:SENSOR:TONER REMAIN	1
28	JC019540FR	PCB:DEVELOPER FULL SENSOR	1
29	JC019641FR	M/H ASSY:DV FULL SENSOR	1

Key	Part No	Description	Q'ty
	a-V153030803		
	b-V137030803		
	c-V144030603		
	d-V116030803		
	e-V116031603		

# BYPASS TRAY SECTION\_1

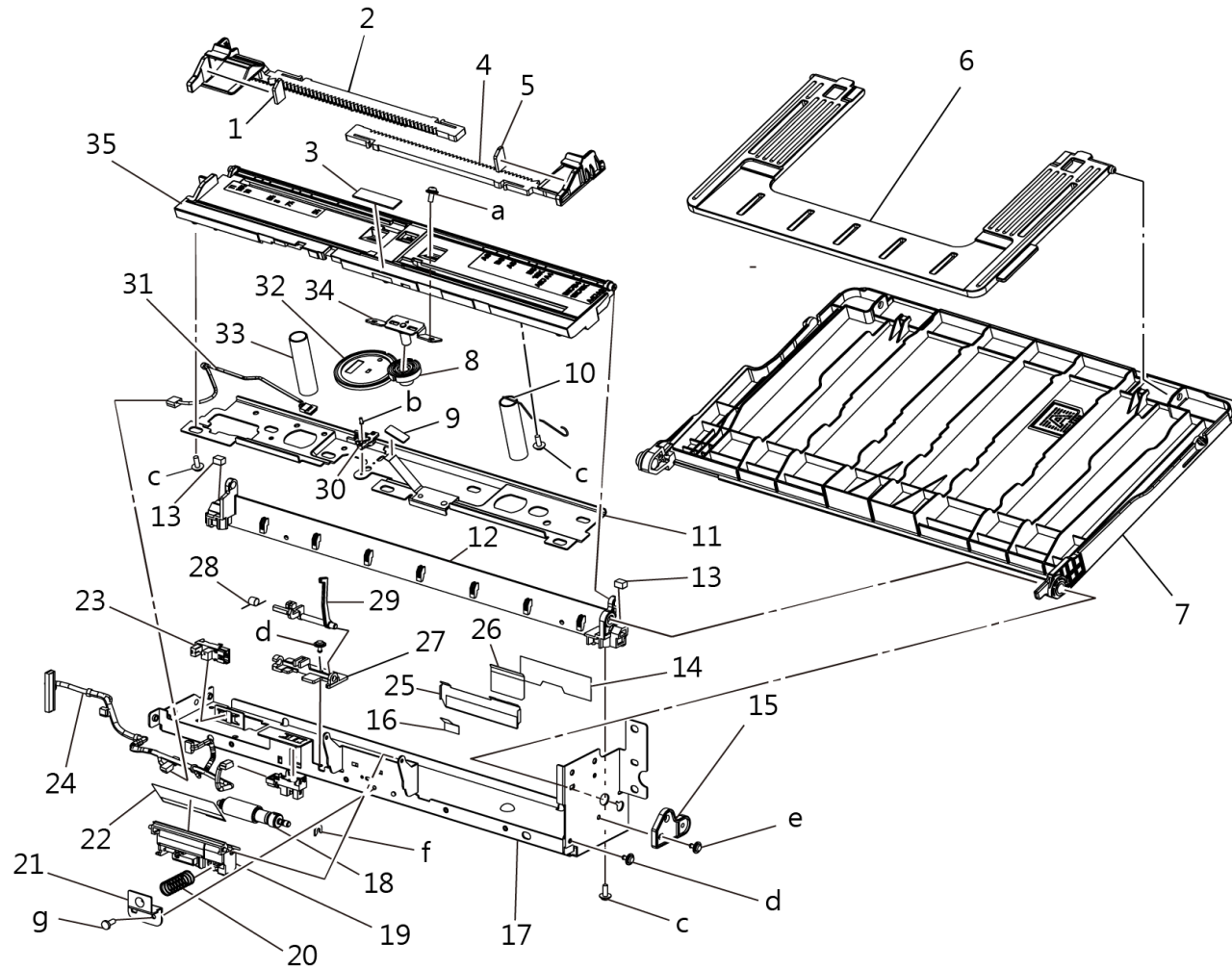


## BYPASS TRAY SECTION\_1

Key	Part No	Description	Q'ty
1	JS01A590FR	UNIT:MPT:JUNIPER S	1
2	JC016004FR	BKT:UPPER:MPT	1
3	JC016003FR	BKT:UPPER:SUB MPT	1
4	A7AH6011FR	PAPER FEED SHAFT	1
5	A1615944FR	BUSHING:Ø6 STOPPER	1
6	A00F6232FR	ROLLER:PICK UP	1
7	A02E5963FR	BUSHING:Ø6	2
8	JS016027FR	SHAFT:LEVER:MANUAL:MPT	1
9	A1615933FR	PAPER FEED CAM	1
10	JC016005FR	ASSY:BKT:REAR:MPT	1
11	A7AH6051FR	BYPASS COVER	1
12	11343043FR	BUSHING	1
13	A7AH6030FR	GEAR	1
14	A7AH6022FR	BYPASS GEAR	1
15	A7AH6041FR	REINFORCE PLATE	1
16	A7AH6043FR	COVER	1
17	A034M201FR	SOLENOID:REGISTER	1
18	A7AHM204FR	CLUTCH	1
19	A7AH6008FR	DRIVE COVER	1
20	A7AH6049FR	SEAL	1
21	A7AH6031FR	LEVER	1
22	A7AH6032FR	COMPRESSING COIL SPRING	1
23	A7AHR8270FR	ASSY:CLUTCH:FRU	1
24	A7AH6047FR	GEAR	1

Key	Part No	Description	Q'ty
	a-V116030804		
	b-V153030803		
	c-V217040001		
	d-V144030603		

# BYPASS TRAY SECTION\_2

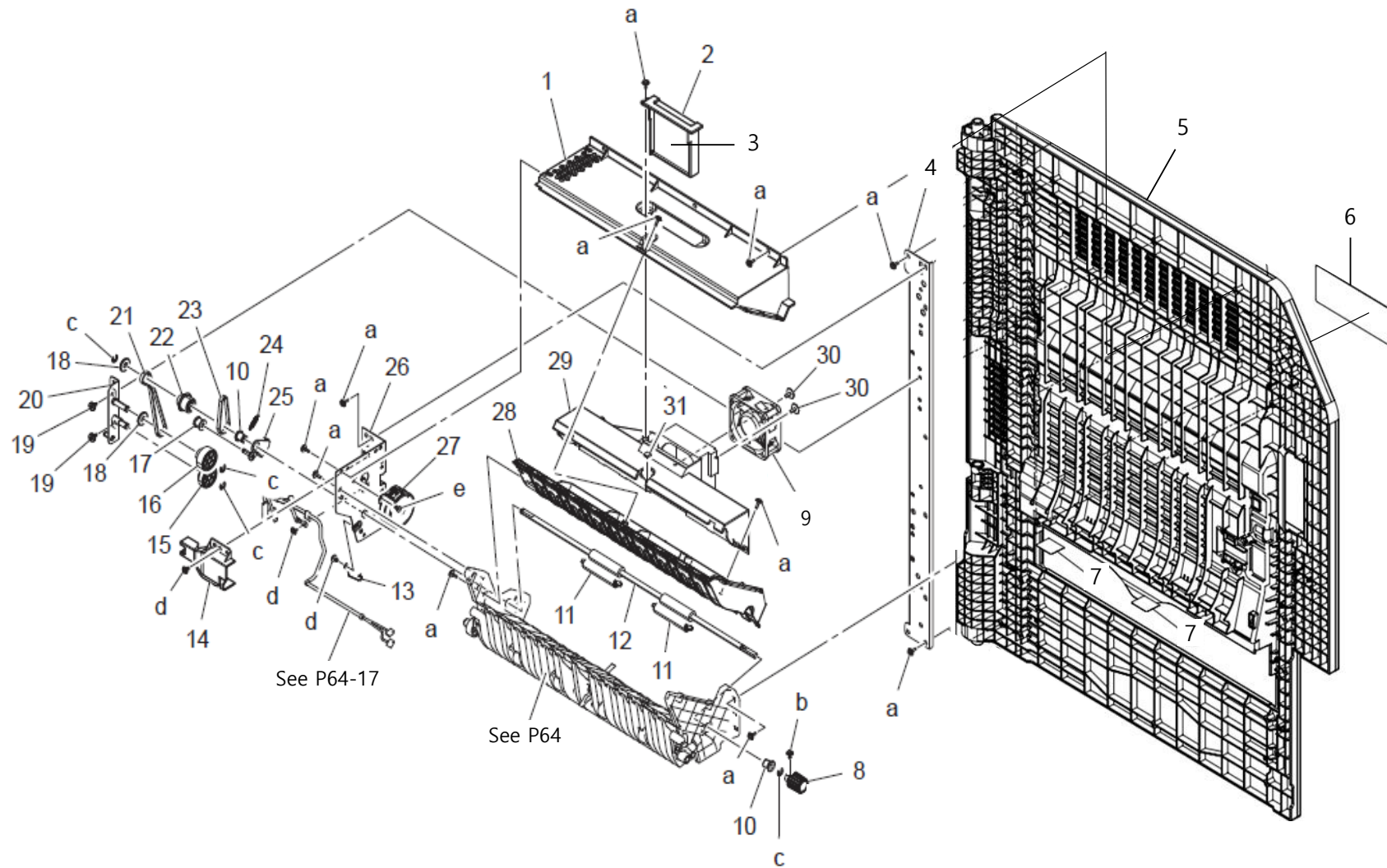


## BYPASS TRAY SECTION\_2

Key	Part No	Description	Q'ty
1	A7AH6045FR	BRAKE PART	1
2	JS026019FR	TRAY:RIGHT:MPT	1
3	09783811FR	FRICITION SHEET	1
4	JS026020FR	TRAY:LEFT:MPT	1
5	A7AH6044FR	BRAKE PART F	1
6	JS025922FR	TRAY:EXTEND:MPT	1
7	JS026001FR	TRAY:MAIN:MPT	1
8	A02E5921FR	GEAR 20T MPT PLATE	2
9	A1615938FR	DAMPER:BKT:TRAY PLATE	1
10	A7AH6033FR	COMPRESSING COIL SPRING	1
11	JC016017FR	ASSY:BTK:REINFORCEMENT:MPT	1
12	JC016042FR	SUPPORT:COVER:MPT	1
13	A1615942FR	DAMPER:TRAY:MAIN	2
14	Z1615951FR	MYLAR:SEAL:TAPE:MPT:A1615951	1
15	Z1615916FR	HINGE:TRAY:MAIN	1
16	Z1615956FR	MYLAR:SUB:GUIDE:SLIDE:MPT	1
17	JC016006FR	BKT:FRONT:MPT	1
18	46580151FR	ASSY:SUB ROLLER:MPT	1
19	ZC014381FR	HOLDER:ROLLER:PICK UP: A7AH 6013	1
20	Z40303475FR	SPRING:PICK UP:MPT:40303475	1
21	A7AH6014FR	HOLD PLATE	1
22	A02E5976FR	MYLAR:GUIDE:2ND	1
23	A5C1M501FR	PHOTOINTERRUPTER	2
24	JS019637FR	M/H ASSY:MANUALFEED UNIT(JUNIPER-S)	1
25	A1615953FR	PLATE:SEPARATING:SUS	1
26	40303403FR	MYLAR:GUIDE:SLIDE:MPT	1
27	A1615911FR	BKT:SENSOR:MPT	1
28	A1615910FR	SPRING:SENSOR:MPT	1
29	A7AH6012FR	ACTUATOR	1
30	A161M504FR	VR	1
31	JS019667FR	M/H ASSY:MANUALFEED ROTRAY SW(JUNIPER-S)	1
32	A1615943FR	REGULATING GEAR	1
33	A7AH6034FR	COMPRESSING COIL SPRING	1
34	Z161F600FR	ASSY:CAULKING GEAR MOUNTING PLATE: A7AH G590	1
35	JS026002FR	BKT:TRAY PLATE:MPT	1

Key	Part No	Description	Q'ty
	a-V116030804		
	b-V111170403		
	c-V153030803		
	d-V144030603		
	e-V144030803		
	f-V218030086		
	g-V118030803		

# REVERSAL SECTION\_1



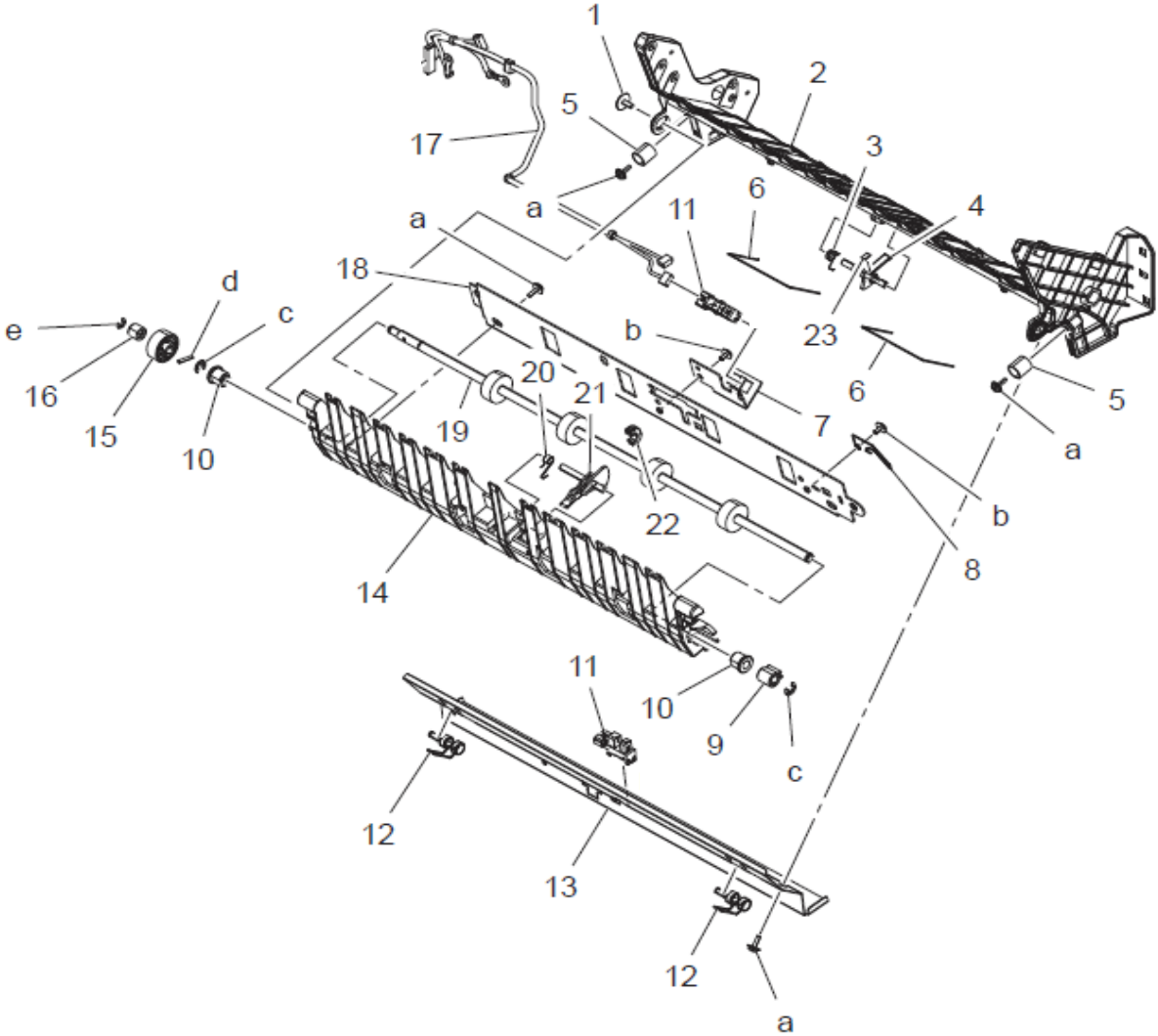


## REVERSAL SECTION\_1

Key	Part No	Description	Q'ty
1	A7AH8132FR	COVER UPPER	1
2	A7AH1491FR	HOLDER	1
3	A7AH1490FR	FILTER	1
4	A7AH7056FR	REINFORCE PLATE	1
5	JS027050FR	UPPER:R/C	1
6	A7AH9430FR	LABEL PAPER SUPPLY	1
7	A7AH7090FR	SEAL	2
8	A1618147FR	KNOB/A	1
9	4556M100FR	FAN MOTOR	1
10	A02E8152FR	BUSHING:Φ6	2
11	A5C18257FR	ROLLER:IDLE/A	2
12	A7AH8140FR	ROLLER B	1
13	A7AH8136FR	GROUND CONTACT	1
14	A7AH8149FR	COVER	1
15	A7AH8147FR	GEAR 23T	1
16	A7AH8146FR	GEAR 23T	1
17	A7AH8156FR	ROLL	1
18	A7AH8148FR	COLLAR	2
19	40382184FR	SHOULDER SCREW	2
20	A7AH8142FR	DRIVE PLATE	1
21	JS018145FR	BELT(S2M218)	1
22	A7AH8144FR	PULLEY 22/27T	1
23	A7AH8143FR	BELT(S2M112)	1
24	A7AH8157FR	PULLING COIL SPRING	1
25	A7AH8155FR	MOUNTING PLATE	1
26	A7AH8141FR	DRIVE SIDE PLATE	1
27	A7AHM107FR	STEPPING MOTOR	1
28	A7AH8131FR	GUIDE /UPPER	1
29	A7AH1454FR	DUCT	1
30	41635293FR	SCREW	1
31	A7AH8923FR	CUSHION	1

Key	Part No	Description	Q'ty
	a-V153030803		
	b-V125030803		
	c-V217040001		
	d-V144030603		
	e-V143030603		

# REVERSAL SECTION\_2

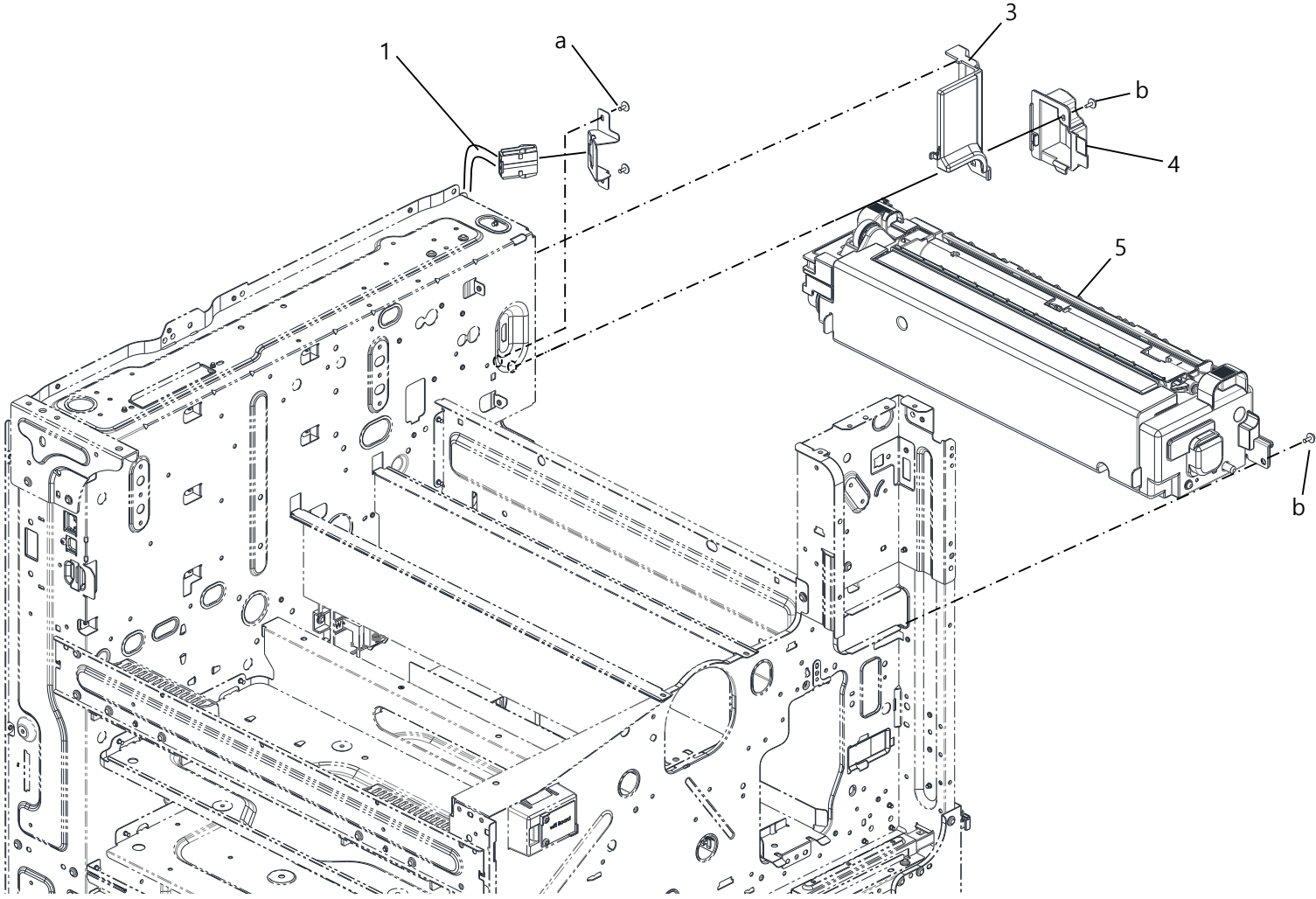


## REVERSAL SECTION\_2

Key	Part No	Description	Q'ty
1	41635293FR	SCREW	1
2	A7AH8130FR	GUIDE /LOWER	1
3	A1617128FR	SPRING /D	1
4	A1618132FR	ACTUATOR	1
5	A1618136FR	PRESSING SPRING /A	2
6	A0ED8151FR	HOLDING PART	2
7	A7AH8941FR	MOUNTING PLATE	1
8	A1618194FR	CONTACT /C	1
9	A1618145FR	BUSHING /B	1
10	A02E8152FR	BUSHING	2
11	A5C1M501FR	PHOTOINTERRUPTER	2
12	Z1618134FR	TORSION COIL SPRING	2
13	A7AH8133FR	MOUNTING PLATE	1
14	A7AH8931FR	GUIDE PLATE	1
15	A7AH8911FR	GEAR 18T	1
16	A7AH8934FR	COLLAR	1
17	JC019631FR	M/H ASSY:ADU UPPER UNIT	1
18	A7AH8933FR	MOUNTING PLATE	1
19	A7AH8930FR	PAPER EXIT ROLLER	1
20	A1618131FR	TORSION COIL SPRING	1
21	A7AH8940FR	ACTUATOR	1
22	A1618195FR	BUSHING /C	1
23	A7AH8194FR	SEAL	1

Key	Part No	Description	Q'ty
	a-V153030803		
	b-V144030603		
	c-V217040001		
	d-V234201250		
	e-V217030001		

# FUSER SECTION

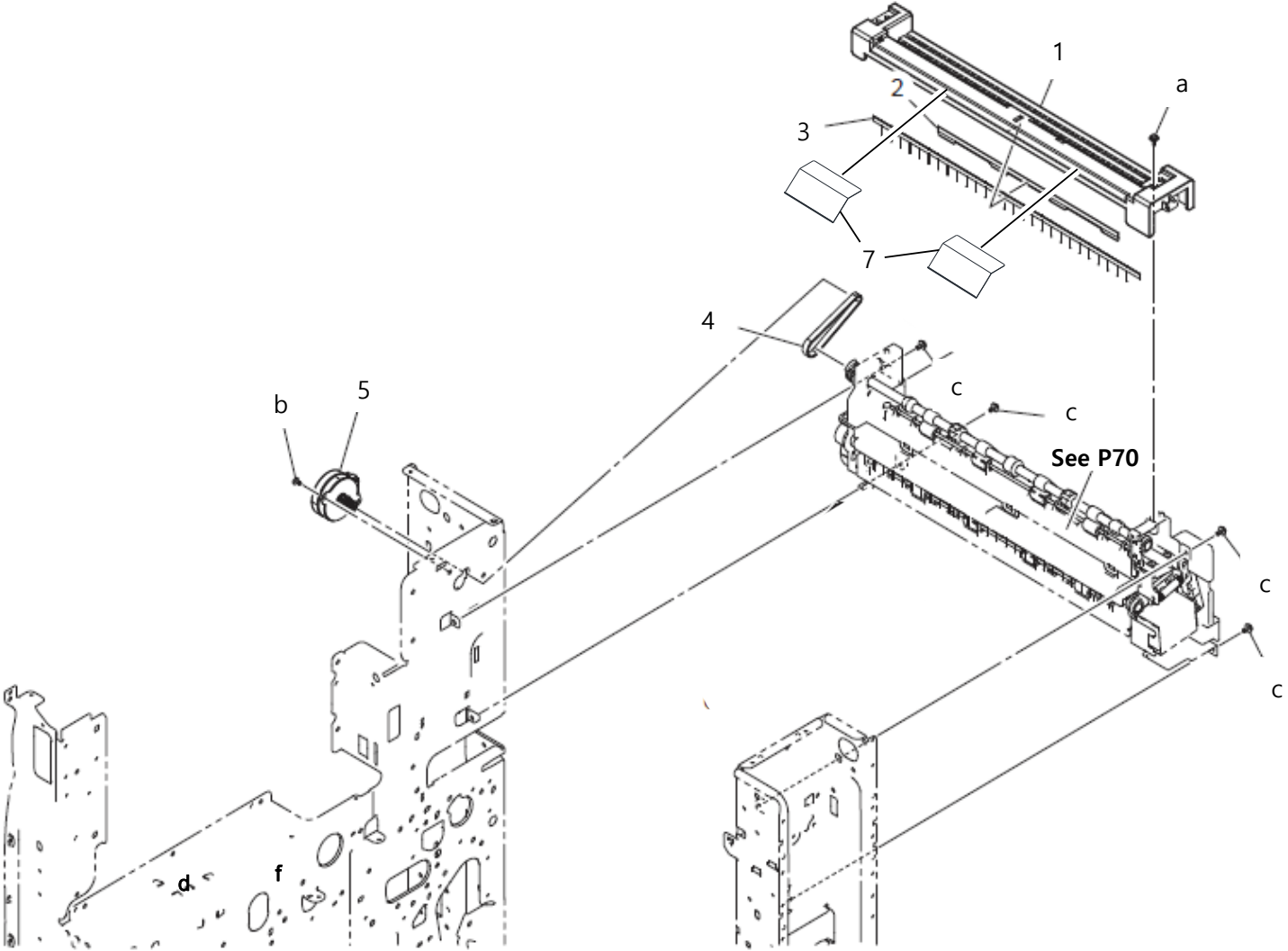


## FUSER SECTION

Key	Part No	Description	Q'ty
1	JC019602FR	M/H ASSY:AC HEATER	2
2	A7AH1345FR	MOUNTING PLATE	1
3	A7AH1332FR	COVER	1
4	A7AH1331FR	COVER	1
5	JS01A723FR	FUSING UNIT	1

Key	Part No	Description	Q'ty
	a-V144030603 b-V125030803		

# PAPER EXIT SECTION\_1

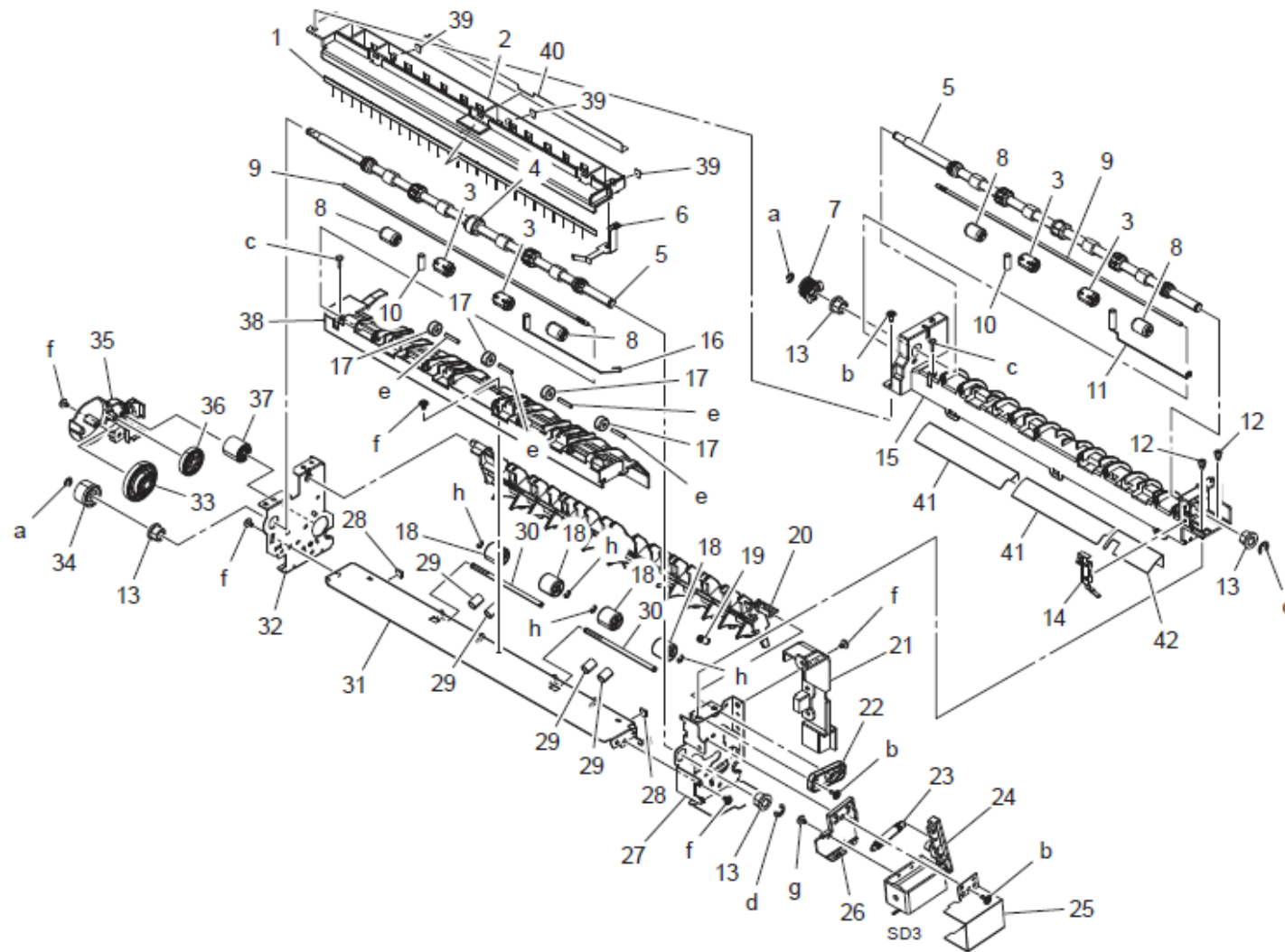


**PAPER EXIT SECTION\_1**

Key	Part No	Description	Q'ty
1	A7AH8102FR	COVER	1
2	A1618941FR	SHEET	1
3	A1618940FR	ANTISTATIC BRUSH:EXIT	1
4	A7AH8143FR	BELT (S2M112)	1
5	A7AHM107FR	STEPPING MOTOR	1
6	JS019666FR	M/H ASSY:EXIT MOTOR(JUNIPER-S)	1
7	JS018977FR	GUIDE:CURL REGULATOR:EXIT	2

Key	Part No	Description	Q'ty
	a-V153030803		
	b-V143030603		
	c-V144030603		

# PAPER EXIT SECTION\_2



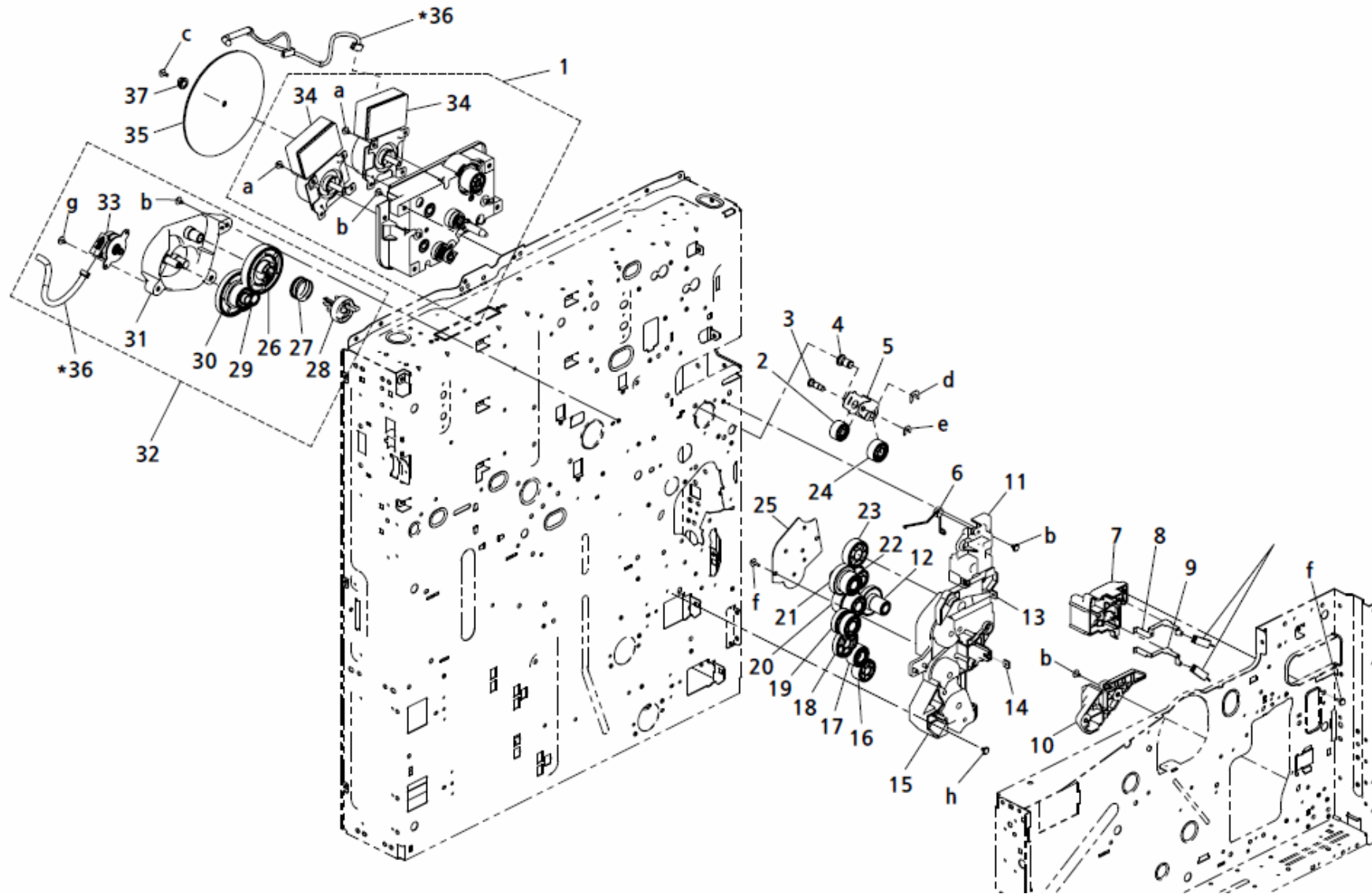


## PAPER EXIT SECTION\_2

Key	Part No	Description	Q'ty
1	A1618940FR	ANTISTATIC BRUSH:EXIT	1
2	A7AH8903FR	GUIDE	1
3	A7AH8920FR	ROLL	4
4	A7AH8919FR	COLLAR	1
5	A7AH8910FR	ROLLER	2
6	A7AH8956FR	GROUND CONTACT /LOWER	1
7	A7AH8111FR	PULLEY	1
8	40045903FR	ROLL	4
9	A7978930FR	SHAFT	2
10	A1618924FR	SPRING	2
11	A7AH8113FR	GROUND SPRING	1
12	11642028FR	SHOULDER SCREW	2
13	A0ED8911FR	BUSHING	4
14	A7AH8115FR	GROUND CONTACT /UPPER	1
15	A7AH8101FR	GUIDE	1
16	A7AH8915FR	GROUND SPRING	1
17	A0ED8977FR	COLLAR	4
18	A1UD7215FR	ROLL	4
19	A7AH8918FR	PULLING COIL SPRING	1
20	A7AH8120FR	PAPER EXIT GUIDE	1
21	A7AH8922FR	COVER	1
22	A1618910FR	BUSHING	1
23	A7AH8908FR	PULLING COIL SPRING	1
24	55VA8251FR	SOLENOID ASSY	1
25	A7AH8907FR	COVER	1
26	A7AH8909FR	MOUNTING PLATE	1
27	A7AH8904FR	PANEL /FRONT	1
28	A7AH8923FR	CUSHION	2
29	A1UD7227FR	COMPRESSING COIL SPRING	4
30	A7AH8921FR	SHAFT	2
31	A7AH8902FR	REINFORCE PLATE	1
32	A7AH8905FR	PANEL /REAR	1
33	A7AH8912FR	GEAR 21/35T	1
34	A7AH8917FR	GEAR 18T	1
35	A7AH8914FR	DRIVE HOLDER	1

Key	Part No	Description	Q'ty
36	A02F8972FR	GEAR 24T	1
37	A7AH8913FR	GEAR 16T	1
38	A7AH8901FR	GUIDE	1
39	A1618260FR	CUSHION /B	3
40	A7AH8196FR	SEAL	1
41	A7AH8197FR	SEAL	2
42	A7AH8199FR	SEAL	1
	a-V217040001		
	b-V144030803		
	c-V149031003		
	d-V217060001		
	e-V234301650		
	f-V144030603		
	g-V127030604		
	h-V217030001		

# DRIVE SECTION

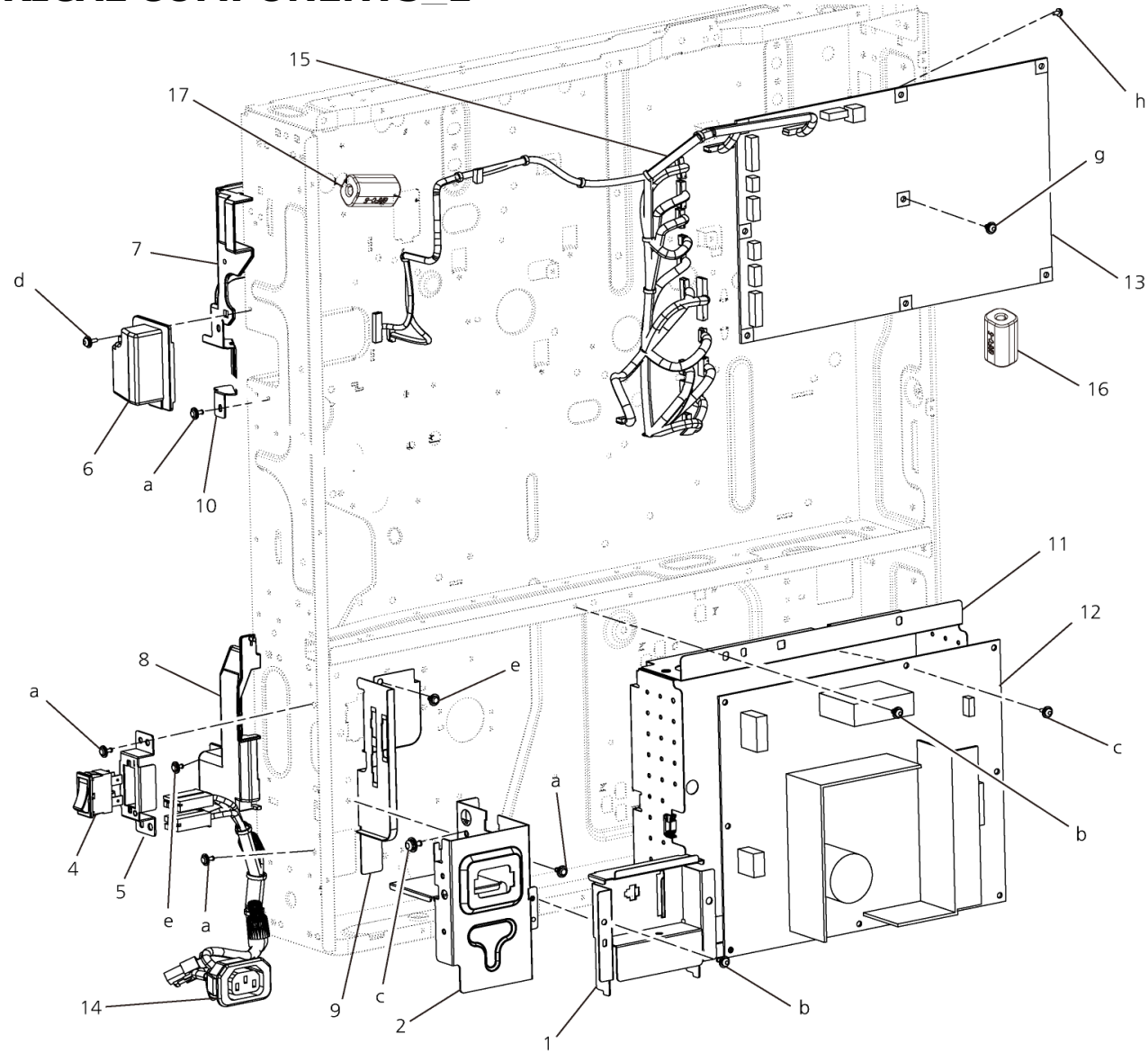


## DRIVE SECTION

Key	Part No	Description	Q'ty
1	JS01A211FR	ASSY:MAIN:DRIVE	1
2	A7AH2154FR	Gear 23T	1
3	A7AH2148FR	Shaft	1
4	A7AH2147FR	Shaft	1
5	A7AH2151FR	Mounting Plate	1
6	A7AH7049FR	Connecting Spring	1
7	A7AH7042FR	Holder	1
8	A7AH7072FR	Contact	1
9	A7AH7071FR	Contact	1
10	JS017046FR	Positioning Holder /Front	1
11	JS017047FR	Positioning Holder /Rear	1
12	A7AH2135FR	Gear 14/37T	1
13	40025042FR	Plate Nut	1
14	40025042FR	Plate Nut	1
15	JC012139FR	HOLDER:DRIVE:FEED	1
16	A7AH2128FR	Gear 28T	1
17	A7AH2130FR	Gear 26T	1
18	A7AH2126FR	Gear 37T	1
19	A7AH2165FR	Gear 23/31T	1
20	A7AH2123FR	Gear 27/35T	1
21	JC012122FR	GEAR REGIST	1
22	JC012121FR	GEAR MIDDLE REGIST	1
23	JC012117FR	GEAR IDLE REGIST	1
24	A7AH2143FR	Gear 26T	1
25	JC012120FR	BKT:HOLDER:FEED	1
26	A1612406FR	Gear 65T	1
27	40385412FR	PRESSURE SPRING	1
28	A1612407FR	Joint	1
29	A7AH2171FR	Gear 15/91T	1
30	A1612404FR	Gear 29/62T	1
31	A7AH2170FR	Drive Holder	1
32	A7AHR702FR	Toner Bottle Drive Assy	1
33	A7AHM104FR	Stepping motor	1
34	A61DM102FR	brushless Motor /20	2
35	JS012198FR	FLY WHEEL PHI18.5	1

Key	Part No	Description	Q'ty
*36-1	JS019624FR	M/H ASSY:MAIN FRONT BUNDLE(26/30PPM)	(1)
36-2	JS019668FR	M/H ASSY:MAIN FRONT BUNDLE(40/45PPM)	(1)
37	ZC303055	MO BUSHING 6X10X9	1
	a-V116030603		
	b-V144030603		
	c-V116030803		
	d-V218060086		
	e-V218040086		
	f-V153030803		
	g-V153031003		
	h-V137030603		

# ELECTRICAL COMPONENTS\_1

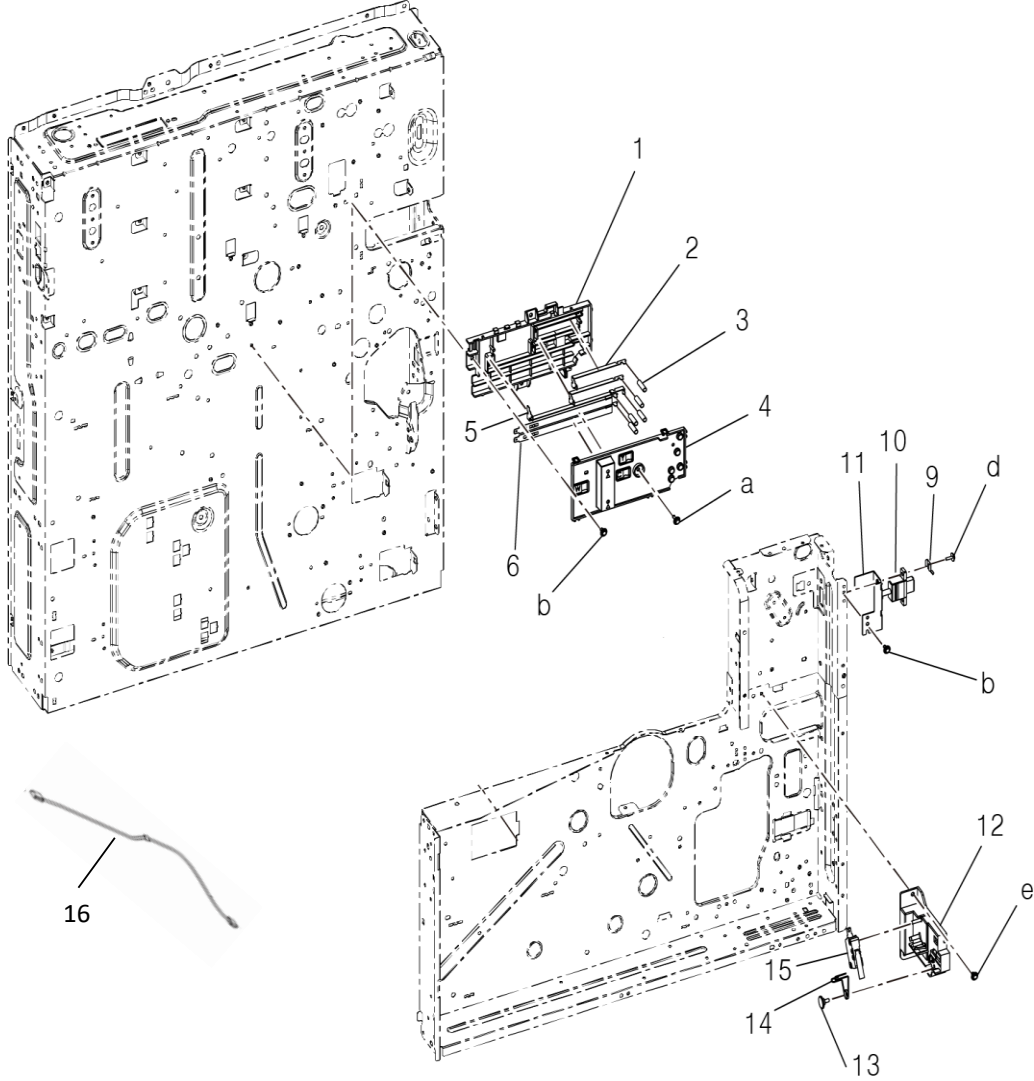


## ELECTRICAL COMPONENTS\_1

Key	Part No	Description	Q'ty
1	JC011322FR	BKT:RELAY:CABINET	1
2	JC011321FR	BKT:INLET:MAIN	1
3			
4	4038M600A010FR	SWITCH:POWER:MAIN	1
5	JC011324FR	BKT:MAIN SWITCH	1
6	A7AH1331FR	COVER	1
7	A7AH1332FR	COVER	1
8	A7AH1333FR	COVER	1
9	JC011329FR	BKT:RELAY:FEED	1
10	A7AH1345FR	MOUNTIOMG PLATE	1
11	JC011336FR	BKT:LVPS	1
*12-1	JC019570FR	PCB:LVPS:100V-127V	(1)
12-2	JC019571FR	PCB:LVPS:220V-240V	(1)
13	JS029510FR	PCB ASSY:JUNIPER-S REFRESH SYSTEMCARD	1
14	JC019601FR	M/H ASSY:AC POWER BUNDLE(220V)	1
15	JC019620FR	M/H ASSY:MAIN UPPER BUNDLE	1
16	CP015101FR	CORE:STEWARD 28A2029-0A0	1
17	Q0016901FR	Ferrite Core:28A2025	1

Key	Part No	Description	Q'ty
	a-V137030603N		
	b-V116030603N		
	c-V116040803N		
	d-V116030803N		
	e-V144030603N		
	f-V144030803N		
	g-V116030603N		
	h-03130040N		

# ELECTRICAL COMPONENTS\_2

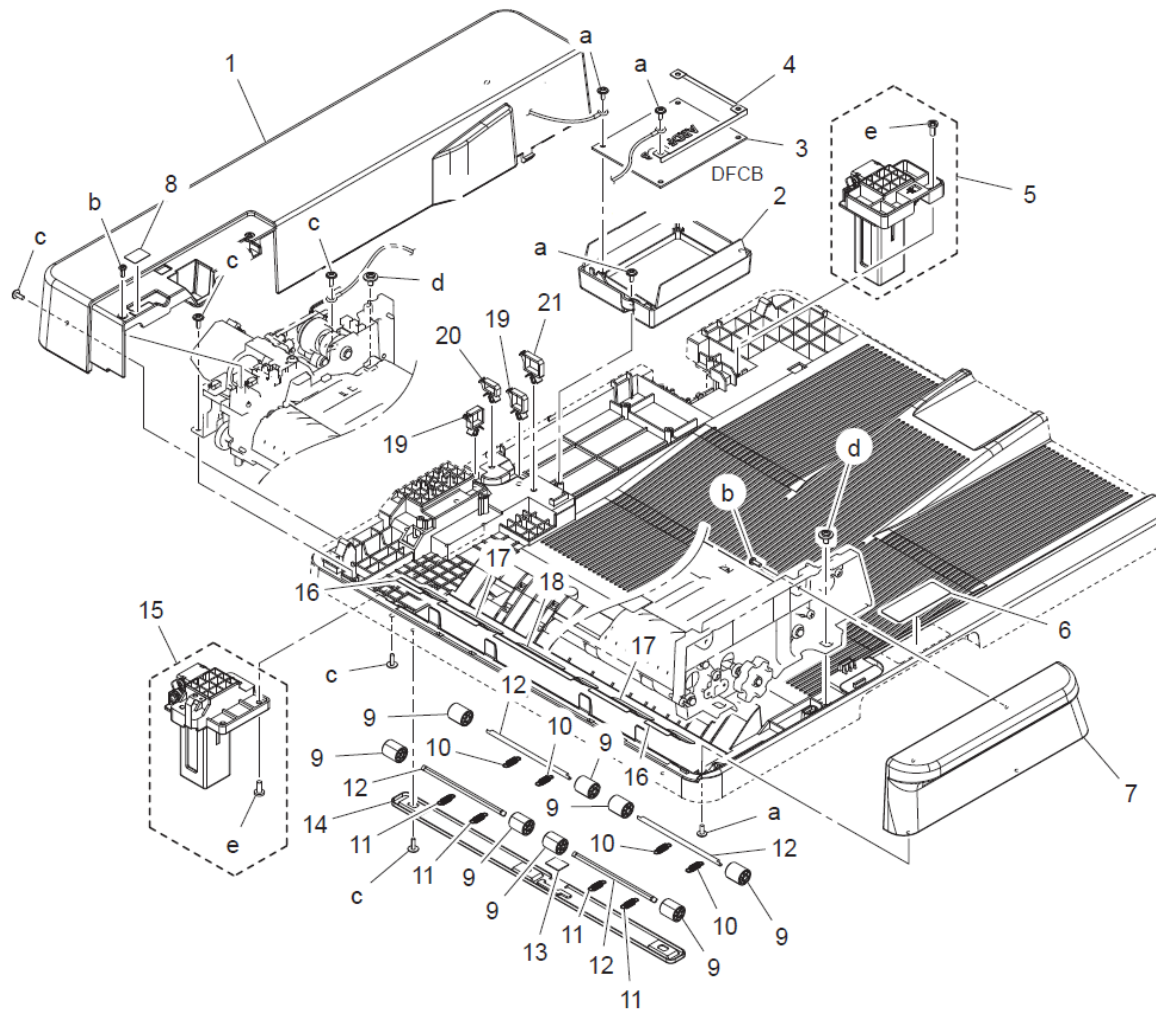


## ELECTRICAL COMPONENTS\_2

Key	Part No	Description	Q'ty
1	JC011362FR	CONTACT:HOLDER:LOWER:KM	1
2	JC011380FR	TERMINAL: DEV ROLLER	2
3	A7AH1378FR	CONTACT	5
4	JC011360FR	CONTACT:HOLDER:UPPER	1
5	JC011375FR	TERMINAL: CHARGE ROLLER	1
6	JC011374FR	TERMINAL: NEW ID	2
7	-	-	-
8	-	-	-
9	JC011690FR	BKT:GROUND:USB	1
10	JC019644FR	M/H ASSY:USB CABLE	1
11	JC011685FR	BKT:USB	1
12	JC011670FR	COVER:SWITCH:INNER:FRONT	1
13	A7AH1389FR	SHOULDER SCREW	1
14	A1611513FR	TORSION COIL SPRING	1
15	9J06M601FR	MICRO SWITCH	1
16	JC019660FR	M/H ASSY:WIFI CABLE	1

Key	Part No	Description	Q'ty
	a-V153030803		
	b-V137030603		
	d-V137030803		
	e-V144030603		

# (DF-627) BASE FRAME ASSEMBLY



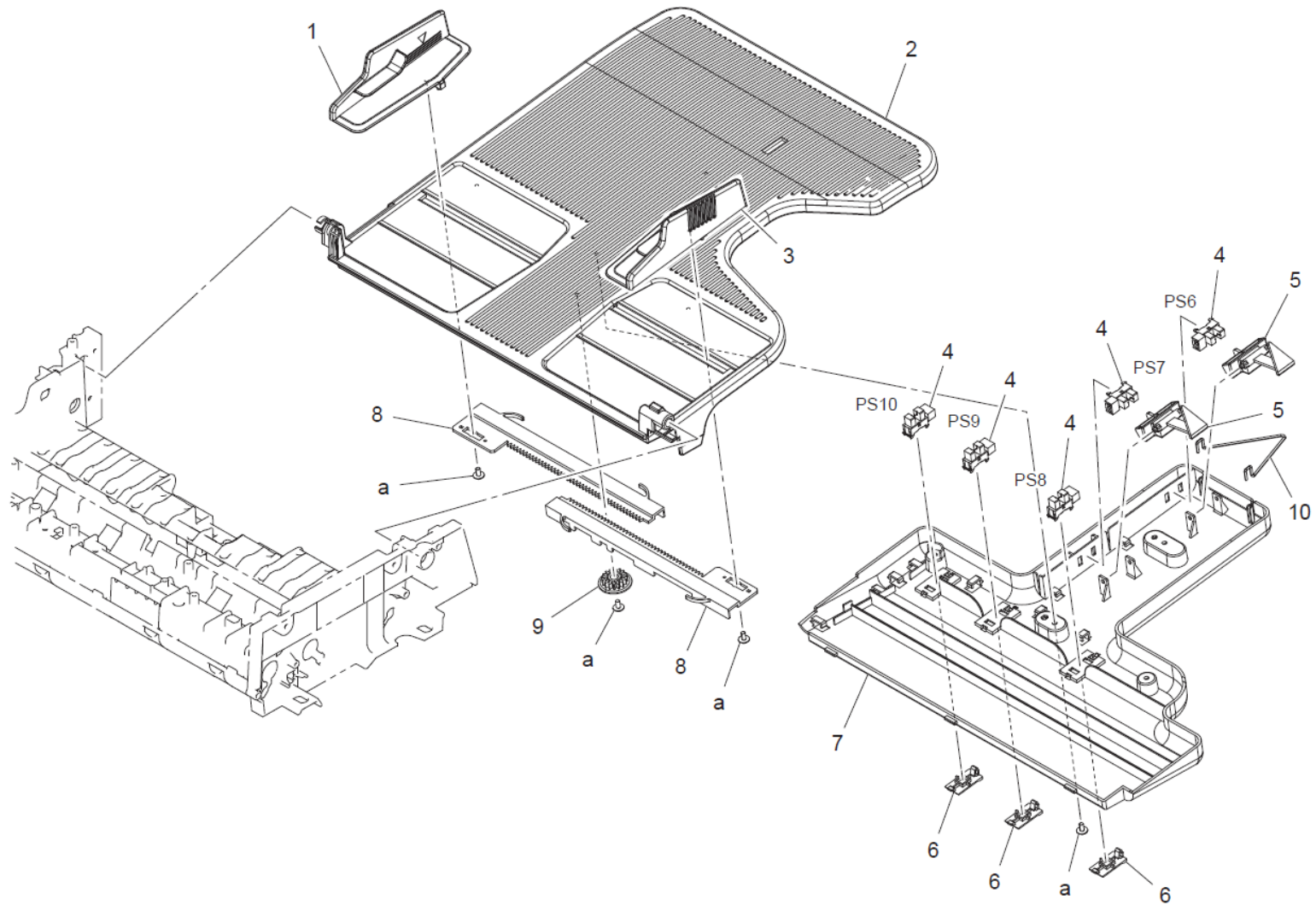


**(DF-627) BASE FRAME ASSEMBLY**

Key	Part No	Description	Q'ty
1	ZC301501FR	COVER REAR ARDF	1
2	ZC301050FR	BKT SHIELD PCB	1
3	JS325110FR	PCB ASSY:DFC:JUNIPER-S REFRESH	1
4	ZC304048FR	EARTH PLATE PCB	1
5	ZC301030FR	ASSY_HINGE_RIGHT	1
6	ZC301505FR	LABEL JAM REMOVE	1
7	ZC301502FR	COVER FRONT ARDF	1
8	ZC301511FR	MYLAR REAR COVER	1
9	ZC301005FR	ROLLER IDLE READING	8
10	ZC301019FR	SPRING READING2 IDLE	4
11	ZC301018FR	SPRING READING1 IDLE	4
12	ZC301006FR	SHAFT IDLE READING	4
13	ZC301017FR	PAD REFLECTOR	1
14	ZC303025FR	BKT READING ROLLER	1
15	ZC301020FR	ASSY_HINGE_LEFT	1
16	ZC303061FR	GUIDE FILM ENTRANCE READING LOWER2	2
17	ZC303062FR	GUIDE FILM ENTRANCE READING LOWER3	2
18	ZC303051FR	GUIDE FILM ENTRANCE READING LOWER1	1
19	11050488FR	CLAMP:LWS-1211	2
20	11050508FR	CLAMP:LWS-0711Z	1
21	11050489FR	CLAMP:LWS-1316Z	1

Key	Part No	Description	Q'ty
	a-09653008N		
	b-04130082N		
	c-09653010N		
	d-Q0010683		
	e-04140102N		

# (DF-627) TRAY ASSEMBLY

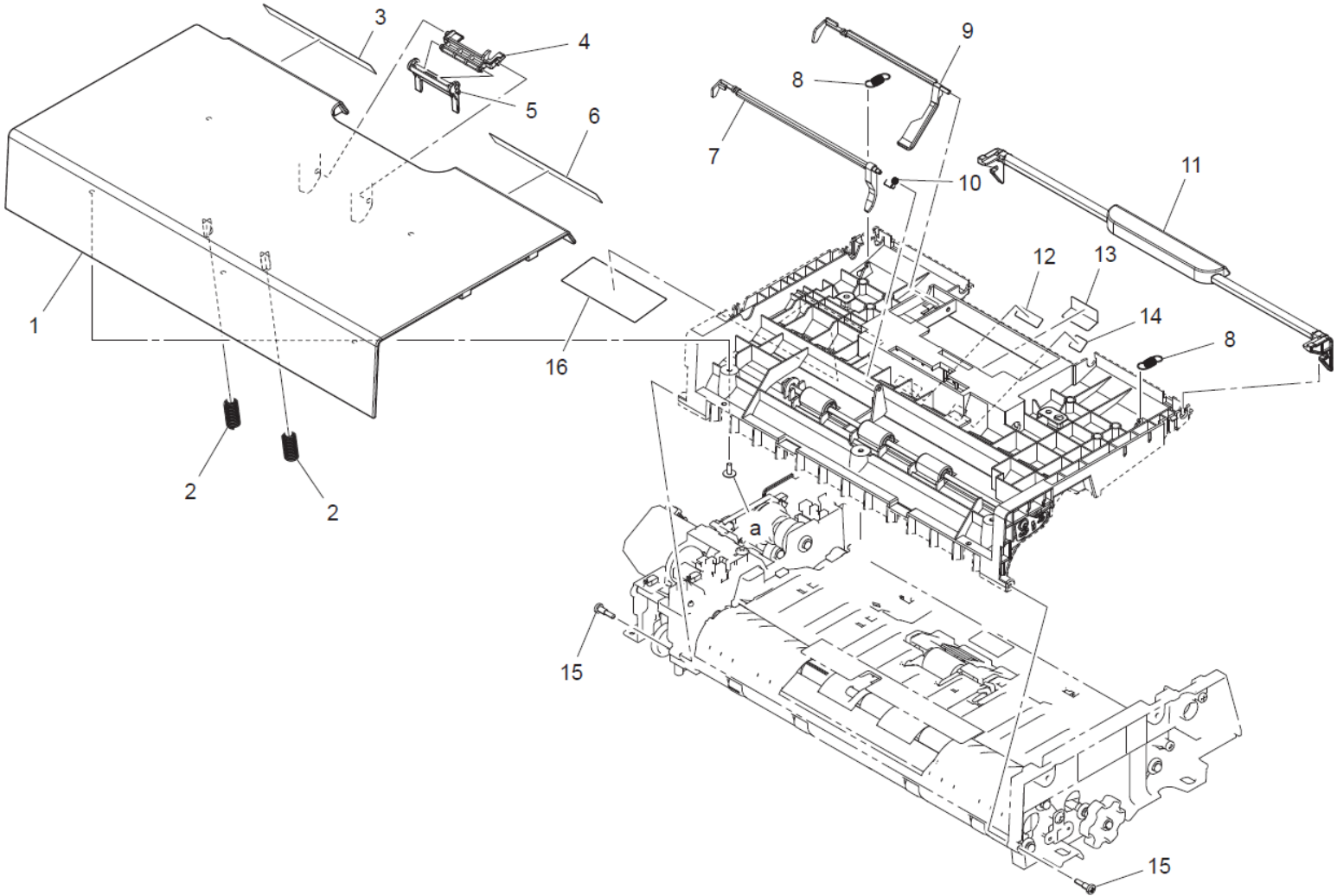


**(DF-627) TRAY ASSEMBLY**

Key	Part No	Description	Q'ty
1	ZC302502FR	SIDE FENCE REAR	1
2	ZC302501FR	TRAY DOCUMENT	1
3	ZC302503FR	SIDE FENCE FRONT	1
4	N0012141FR	PHOTO INTERRUPTER	5
5	ZC302504FR	LEVER PAPER LENGTH	2
6	ZC302509FR	COVER TRAY SENSOR	3
7	ZC302507FR	COVER LOWER TRAY	1
8	ZC302505FR	RACK SIDE FENCE	2
9	S0024665FR	GEAR:SPUR:Z16	1
10	ZC302510FR	WIRE BAIL TRAY	1

Key	Part No	Description	Q'ty
	a-09653006N		

# (DF-627) LEFT COVER ASSEMBLY

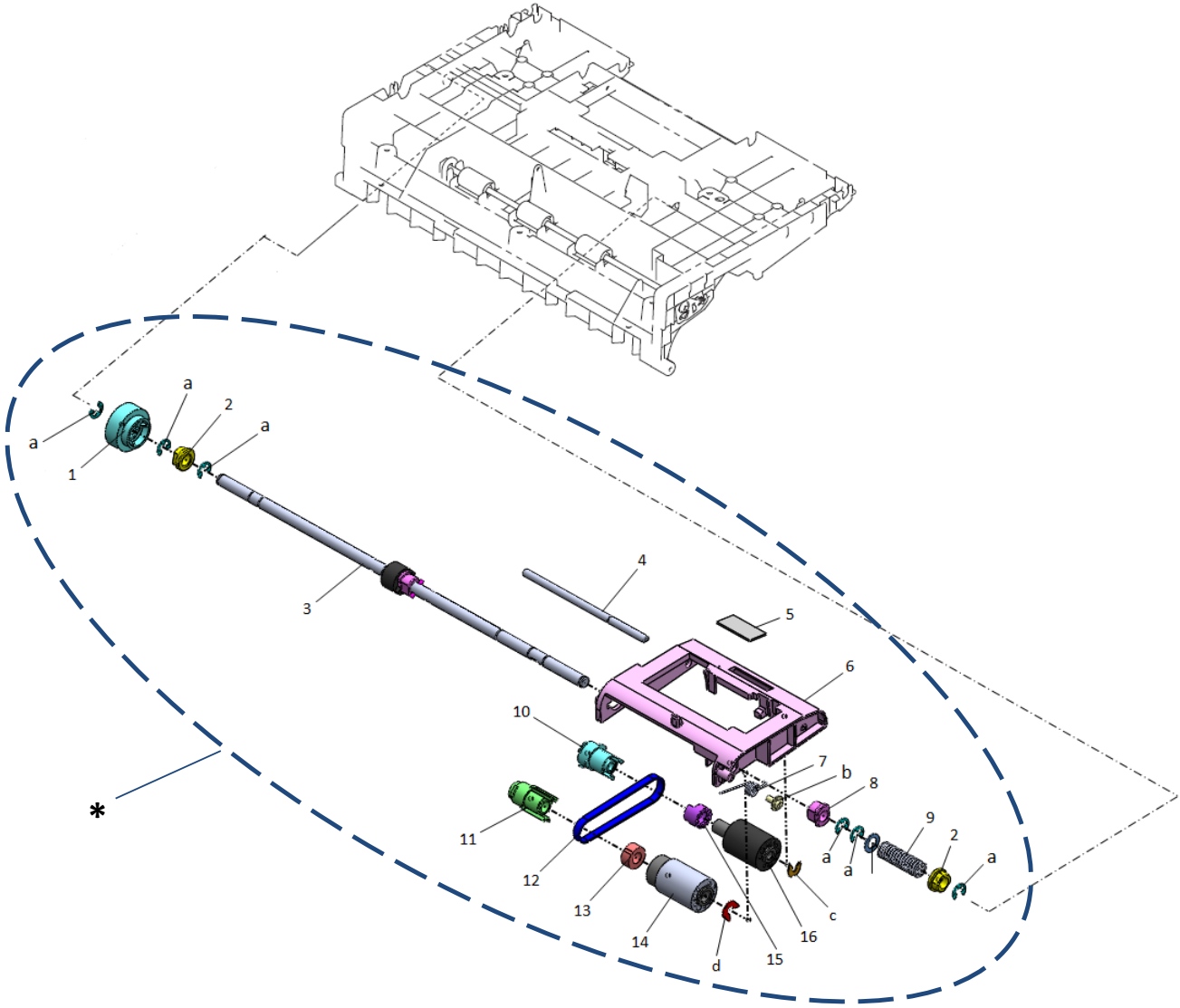


**(DF-627) LEFT COVER ASSEMBLY**

Key	Part No	Description	Q'ty
1	ZC302001FR	LEFT COVER ARDF	1
2	ZC302014FR	SPRING PRESSURE REGIST	2
3	ZC301504FR	LABEL DOCUMENT	1
4	ZC302045FR	STOPPER LINK	1
5	ZC302043FR	STOPPER PAPER	1
6	ZC301503FR	LABEL PAPER SIZE	1
7	ZC302016FR	FLAG REGISTER	1
8	ZC302027FR	SPRING TENSION HANDLE	2
9	ZC302036FR	FLAG PAPER SET	1
10	ZC302018FR	SPRING TORSION REGISTER	1
11	ZC302025FR	KNOB COVER OPEN	1
12	JS302007FR	MYLAR:FEED ROLLER LARGE	1
13	ZC302047FR	MYLAR:FEED ROLLER GUIDE	1
14	ZC302008FR	MYLAR:FEED ROLLER SMALL	1
15	ZC301007FR	M4X6 SHAFT PI3X10	2
16	ZC302006FR	MYLAR:FEED SHAFT	1

Key	Part No	Description	Q'ty
	a-04130082N		

# (DF-627) PICK-UP ASSEMBLY

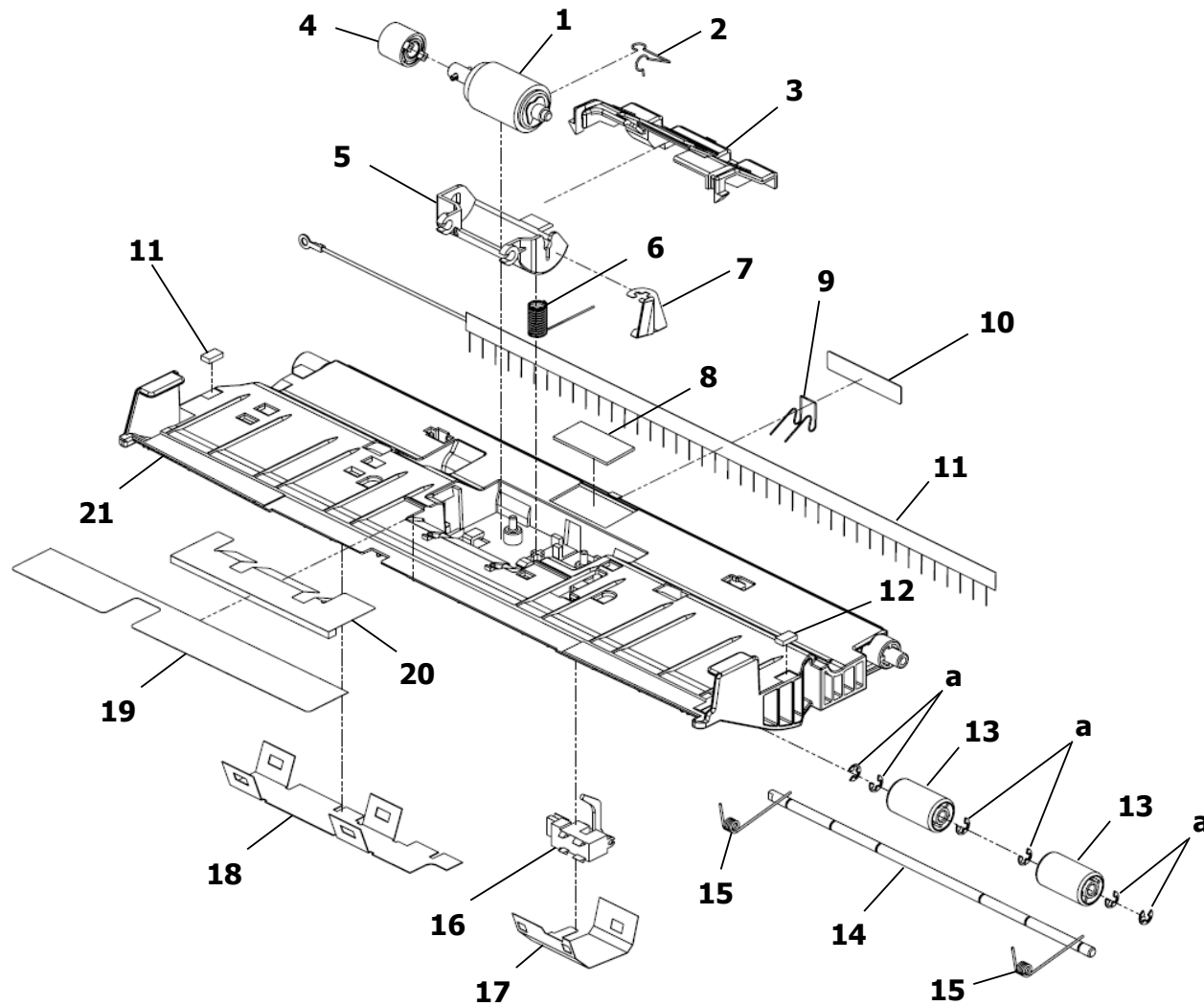


**(DF-627) PICK-UP ASSEMBLY**

Key	Part No	Description	Q'ty
*	JS302300-AS	ASSY FEED ROLLER	1
1	ZC302357FR	GEAR FEED 21T	1
2	ZC303055FR	MO BUSHING_6×10×9	2
3	ZC302315FR	SHAFT:FEED	1
4	ZC302325FR	SHAFT:PICK ROLLER	1
5	ZC302335FR	PAD PICKUP HOLDER	1
6	ZC302349FR	HOLDER PICKUP	1
7	ZC302668FR	SPRING TORSION PICK FRONT	1
8	ZC302049FR	BUSHING 6PI FEED	2
9	ZC302369FR	SPRING:PICKUP ASSY	1
10	ZC302323FR	PULLEY PICKUP	1
11	ZC302348FR	PULLEY FEED	1
12	ZC302352FR	BELT:PICKUP 2GT134	1
13	D0192894FR	ONE WAY CLUTCH	1
14	ZC302311FR	ROLLER:FEED	1
15	ZC302327FR	COUPLING PICKUP	1
16	ZC302321FR	ROLLER:PICKUP	1

Key	Part No	Description	Q'ty
	a-07200040G b-09653006N c-08050092 d-08050089		

# (DF-627) LOWER GUIDE ASSEMBLY



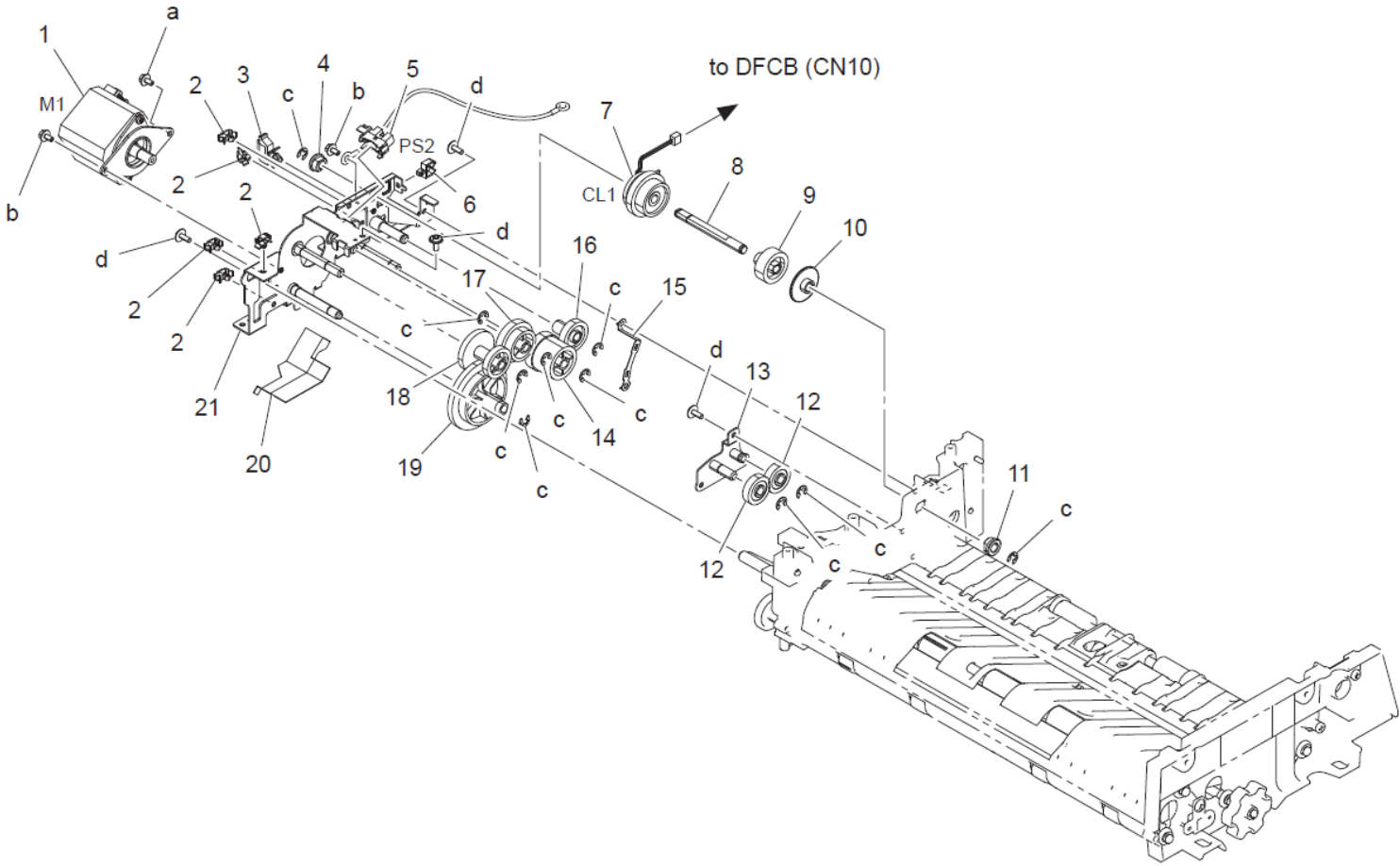


**(DF-627) LOWER GUIDE ASSEMBLY**

Key	Part No	Description	Q'ty
1	SN302075FR	ROLLER RETARD	1
2	JS322207FR	EARTH SPRING SHAFT RETARD	1
3	JS302204FR	HOLDER FRICTION SHEET	1
4	JS302767FR	TORQUE LIMITER	1
5	JS302101FR	HOLDER SEPARATION ROLLER	1
6	JS322206FR	SPRING SEPARATION ROLLER	1
7	JS322205FR	EARTH PLATE SEPARATION ROLLER	1
8	ZC302105FR	PAD:PICKUP	1
9	JS322326FR	EARTH SPRING EXIT ROLLER	1
10	JS322327FR	MYLAR EARTH SPRING EXIT	1
11	ZC303039FR	BRUSH_ANTISTATIC_WIRE	1
12	ZC302219FR	PAD:LOWER GUIDE	2
13	ZC302012FR	ROLLER IDLE REGISTRATION	2
14	ZC302211FR	SHAFT:IDLE EXIT	1
15	ZC302215FR	SPRING:TORSION EXIT IIDLE	2
16	AW020181FR	PHOTO INTERRUPTOR:DUPLX	1
17	ZC302218FR	MYLAR:GAP SENSOR	1
18	ZC302217FR	MYLAR:HARNESS COVER	1
19	ZC302212FR	MYLAR:LOWER GUIDE-3.5	1
20	JS302203FR	SPONGE MYLAR:LOWER GUIDE	1
21	JS302201FR	GUIDE LOWER FEED	1

Key	Part No	Description	Q'ty
	a-07200030G		

# (DF-627) DRIVE ASSEMBLY

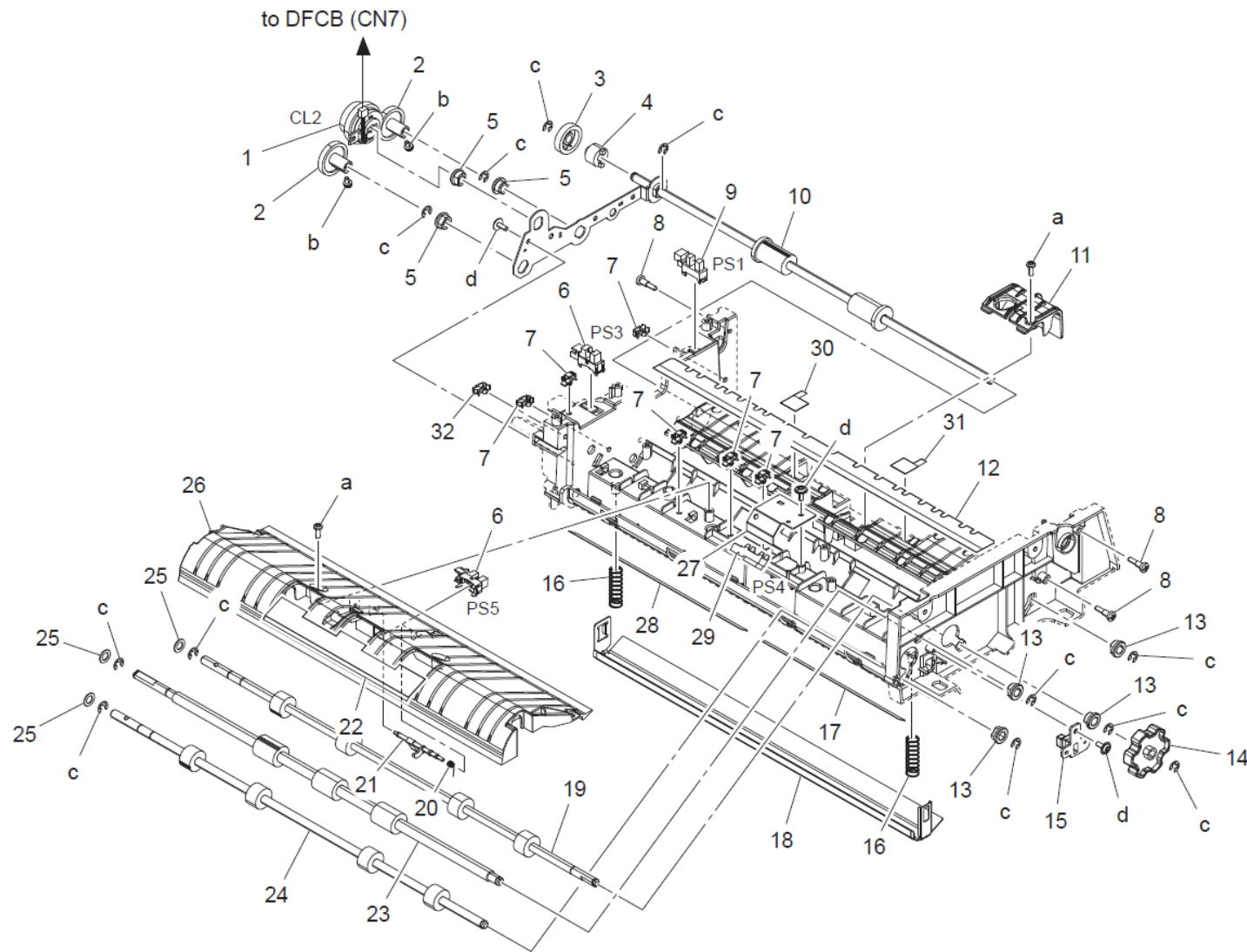


**(DF-627) DRIVE ASSEMBLY**

Key	Part No	Description	Q'ty
1	JS324120FR	ASM HB MOTOR ARDF	1
2	11050758FR	CLAMP:LWSM-0306A:LOCKING SADDLE:V500020099	5
3	11050508FR	CLAMP:LWS-0711Z	1
4	AA082118FR	BUSHING:PHI 6	1
5	N0012141FR	PHOTO INTERRUPTER	1
6	A1285876FR	MINI CLAMP	1
7	ZC304018FR	CLUTCH:FEED:3.5KG:Z28	1
8	ZC304028FR	SHAFT FEED CLUTCH	1
9	ZC304027FR	GEAR9 FEED	1
10	ZC304025FR	GAP RING CLUTCH	1
11	ZC303055FR	MO BUSHING_6×10×9	1
12	ZC304147FR	GEAR7 EXIT	1
13	ZC304140FR	ASM BKT DRIVE SUB	1
14	ZC304145FR	GEAR5 FEED	1
15	ZC304046FR	EARTH PLATE EXIT ROLLER	1
16	ZC304146FR	GEAR6 FEED	1
17	ZC304144FR	GEAR4 FEED	1
18	ZC304143FR	GEAR3 REGISTER	1
19	ZC304141FR	GEAR1 READING	1
20	ZC304151FR	MYLAR MOTOR CABLE	1
21	ZC304130FR	ASM BKT DRIVE 1MOTOR	1

Key	Part No	Description	Q'ty
	a-09653008N b-04513006N c-07200040G		

# (DF-627) CORE FRAME ASSEMBLY

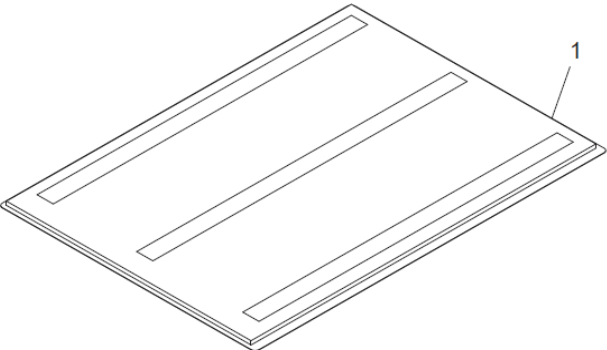


**(DF-627) CORE FRAME ASSEMBLY**

Key	Part No	Description	Q'ty
1	ZC304019FR	CLUTCH:REGISTER:3.5KG:Z28	1
2	ZC304142FR	GEAR2 READING	2
3	ZC304148FR	GEAR8 EXIT	1
4	MM1A1663FR	TORQUE LIMITER:PICK UP	1
5	AA082118FR	BUSHING:PHI 6	2
6	N0012141FR	PHOTO INTERRUPTER	2
7	11050758FR	CLAMP:LWSM-0306A:LOCKING SADDLE:V500020099	6
8	ZC301007FR	M4X6 SHAFT PI3X10	2
9	ZC302037FR	SENSOR:PHOTO INTERRUPT:KODENSHI:LG248BL	1
10	ZC303040FR	ROLLER EXIT	1
11	ZC301401FR	COVER DUMMY STAMP	1
12	ZC303029FR	GUIDE FILM REVERSE	1
13	ZC303055FR	MO BUSHING_6×10×9	4
14	ZC303021FR	KNOB PAPER JAM	1
15	ZC303054FR	HOLDER GUIDE READING	1
16	ZC303053FR	SPRING PLATE SCAN	2
17	ZC303072FR	GUIDE FILM READING UPPER-2	1
18	ZC303050FR	BKT GUIDE SCAN	1
19	ZC303030FR	ROLLER READING 2	1
20	ZC303034FR	SPRING TORSION EXIT	1
21	ZC303033FR	FEELER SENSOR EXIT	1
22	ZC303071FR	MYLAR_REGISTER_AFTER	1
23	ZC303010FR	ROLLER REGISTRATION	1
24	ZC303020FR	ROLLER READING 1	1
25	M1604141FR	WASHER_Φ10.1XΦ6.0X0.6T	3
26	ZC303060FR	GUIDE REVERSE	1
27	ZC303036FR	BKT SENSOR READING	1
28	ZC303052FR	GUIDE FILM READING UPPER-1	1
29	GW010007FR	PAPER FEED SENSOR	1
30	ZC303043FR	MYLAR EXIT SPONGE REAR	1
31	ZC303042FR	MYLAR EXIT SPONGE FRONT	1
32	ZC300605FR	CLAMP:LBWS-0605S	1

Key	Part No	Description	Q'ty
	a-04130082N b-09573006N c-07200040G d-09653008N		

**(DF-627) ACCESSORY PARTS**

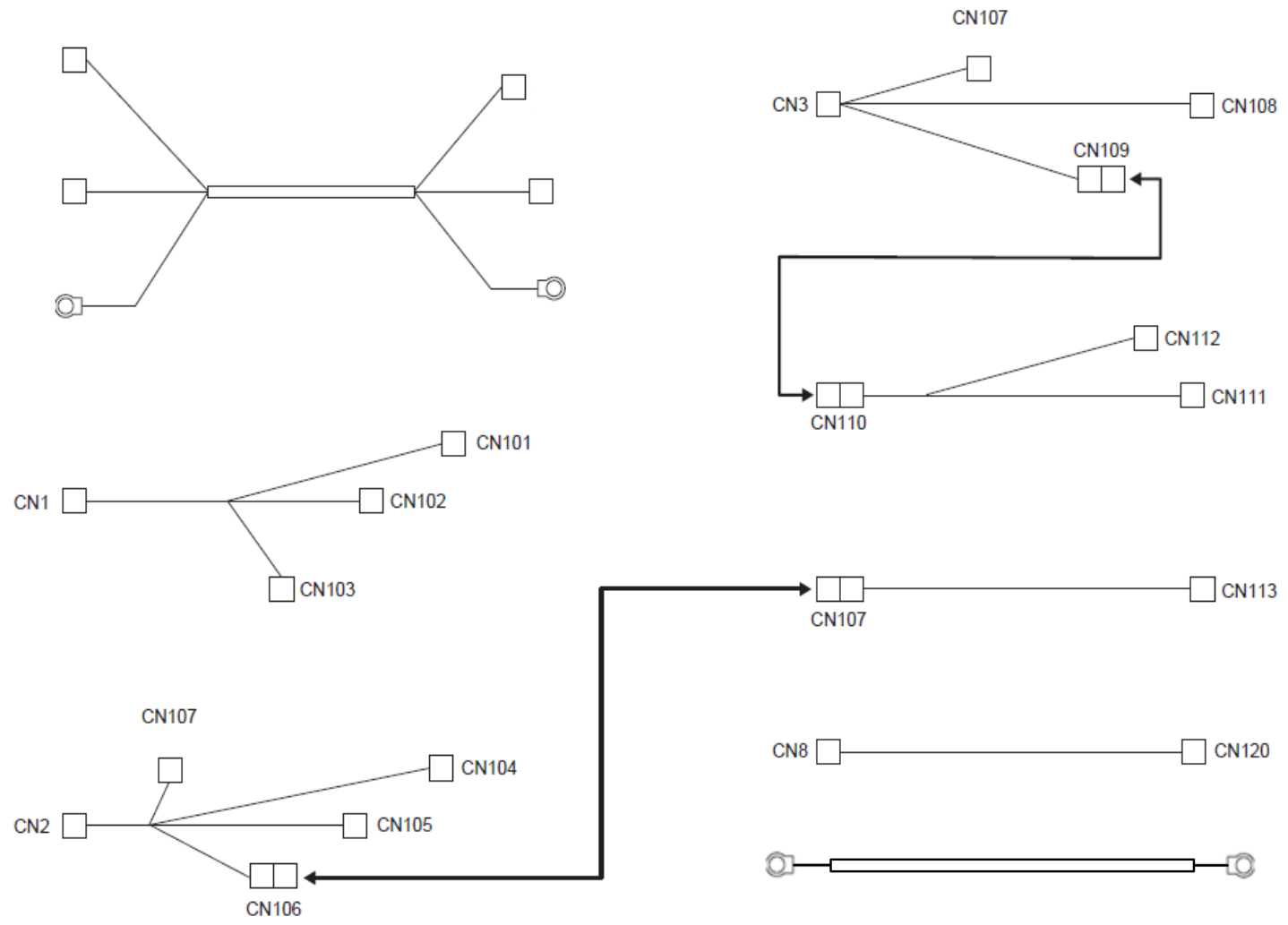


**(DF-627) ACCESSORY PARTS**

Key	Part No	Description	Q'ty
1	ZC301008FR	WHITE SHEET	1
2	ZC308014FR	STEP SCREW M3X4X6	1
3	V116030803	SCREW:ROUND:SMALL:SEMS2	1

Key	Part No	Description	Q'ty

# (DF-627) WIRING





**(DF-627) WIRING**

Key	Part No	Description	Q'ty
1	JC305201FR	M/H ASSY : ARDF MAIN CABLE	1
2	ZC305202FR	M/H ASSY : WIDTH SENSOR	1
3	ZC305203FR	M/H ASSY : LENGTH SENSOR	1
4	ZC305204FR	M/H ASSY : PAPER PATH SENSOR	1
5	ZC305205FR	M/H ASSY : READING & EXIT SENSOR	1
6	ZC305209FR	M/H ASSY : FEED SENSOR	1
7	ZC305210FR	M/H ASSY : MAIN MOTOR	1
8	JS305213FR	M/H ASSY : ARDF MOTOR BKT EARTH WIRE1(JUNIPER-S)	1

Key	Part No	Description	Q'ty