



# D330E Series

## USER MANUAL/About This Machine

- Before using this Product, please read the USER MANUAL carefully and keep it for your reference.





# Table of contents

## 1 Name and Function of Each Part in Main Unit

Front.....	1-2
Side/rear.....	1-3
Inside.....	1-4

## 2 Checking the Machine Status Using Indicator LEDs

2.1	Name and Function of Each Indicator LED .....	2-2
2.2	Warning Indicator.....	2-3
2.3	Data Indicator.....	2-4

## 3 Name and Function of Each Optional Component

3.1	Optional Components.....	3-2
	List of optional components .....	3-2
	List of other optional components .....	3-4
	Front.....	3-5
	Side/rear.....	3-6
3.2	Finisher FS-539/FS-539 SD/Punch Kit PK-524.....	3-7
3.3	Finisher FS-533/Punch Kit PK-519 .....	3-10
3.4	Job Separator JS-506.....	3-11
3.5	Using Manual Staple.....	3-12

## 4 List of Functions with Options Required

Copy options.....	4-2
Print options.....	4-2
Scan options.....	4-3
Fax and Network Fax options.....	4-3
User Box options .....	4-3
Guidance, font, security, and maintenance options .....	4-4
Communication options.....	4-4
Authentication options.....	4-4
Network and system link options.....	4-4

## 5 Specifications of this Machine

Main unit .....	5-2
Scanning function specifications .....	5-3
Printer specifications .....	5-4

## 6 Specifications of Optional Components

FAX Kit FK-513 .....	6-2
Reverse Automatic Document Feeder DF-633.....	6-2
Paper Feed Cabinet PC-118.....	6-3
Paper Feed Cabinet PC-218.....	6-3
Paper Feed Cabinet PC-418.....	6-3
Finisher FS-539.....	6-4
Finisher FS-539 SD.....	6-6
Punch Kit PK-524 .....	6-9
Finisher FS-533.....	6-9
Punch Kit PK-519 .....	6-10
Job Separator JS-506.....	6-10
Authentication Unit AU-102 .....	6-11
Authentication Unit AU-201S.....	6-12



---

Upgrade Kit UK-221 .....	6-13
--------------------------	------

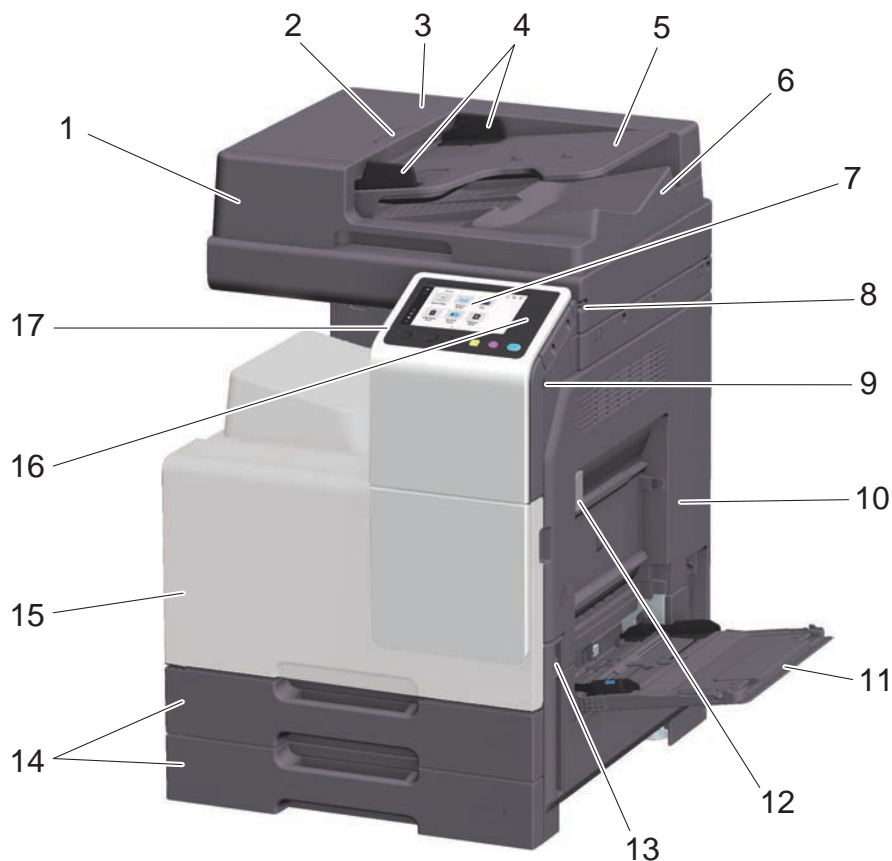


## **Name and Function of Each Part in Main Unit**

# 1 Name and Function of Each Part in Main Unit

## Front

This illustration shows the main unit with **Reverse Automatic Document Feeder DF-633**.

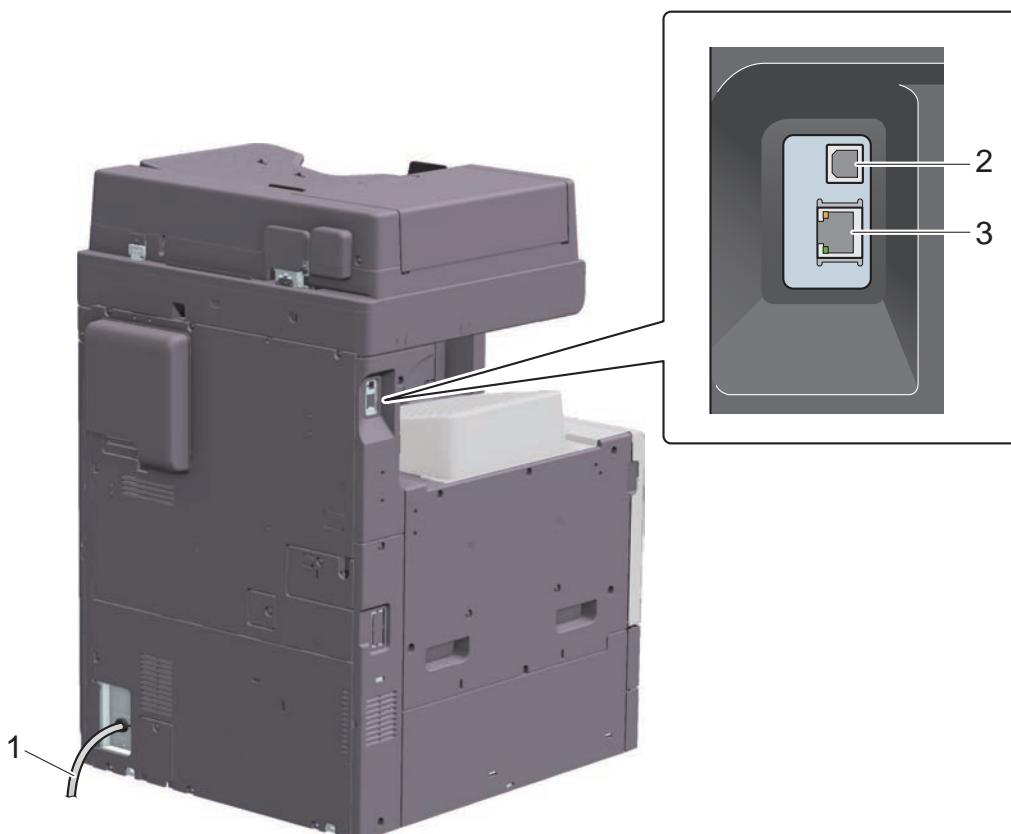


No.	Name	Description
1	<b>Reverse Automatic Document Feeder</b>	Automatically feeds and scans originals by page. This unit also reverses and automatically scans 2-sided originals. This unit is referred to as <b>ADF</b> in the manual.
2	<b>Left Cover Release Lever</b>	Used to open the <b>Left Cover</b> .
3	<b>Left Cover</b>	Open the <b>Left Cover</b> when clearing a paper jam.
4	<b>Lateral Guide</b>	Adjust this guide along the width of the original.
5	<b>Original Tray</b>	Load the original face up in this tray.
6	<b>Original Output Tray</b>	The scanned original is fed out onto this tray.
7	<b>Control Panel</b>	Used to configure various settings in this machine.
8	<b>Stylus Pen</b>	Used to select a menu on the <b>Touch Panel</b> , or enter characters.
9	<b>USB Port (Type A) USB2.0/1.1</b>	Used to connect a USB flash drive to this machine.
10	<b>Right Door</b>	Open this door to clear a paper jam.
11	<b>Bypass Tray</b>	Used to print data on irregularly size paper, thick paper, transparencies, postcards (4 × 6 (A6 Card)), envelopes, or label sheets. For details on the available paper, refer to "User's Guide[Introduction]/[Loading Paper]".

No.	Name	Description
12	<b>Right Door Release Lever</b>	Used to lock the <b>Right Door</b> .
13	<b>Main Power Switch</b>	Press this switch to turn the machine on or off.
14	<b>Tray 1, Tray 2</b>	Allows you to load up to 500 sheets of plain paper. For details on the available paper, refer to "User's Guide[Introduction]/[Loading Paper]".
15	<b>Front Door</b>	Open this door to replace the <b>Toner Cartridge, Waste Toner Box, or Drum Unit</b> , and to clean the <b>Print Head Glass</b> .
16	<b>Mobile Touch Area</b>	This area is used to associate this machine with an NFC-compatible Android terminal or an iOS terminal compatible with Bluetooth LE.
17	<b>Power key</b>	Switches this machine to the Power Save mode. For details on the <b>Power</b> key, refer to "User's Guide[Introduction]/[Turning the Power On or Off]".

## Side/rear

This illustration shows the main unit with **Reverse Automatic Document Feeder DF-633**.



No.	Name	Description
1	<b>Power Cord</b>	Used to supply power to this machine.
2	<b>USB Port (Type B) USB2.0/1.1</b>	Connect to this port when using this machine as a USB-connected printer.

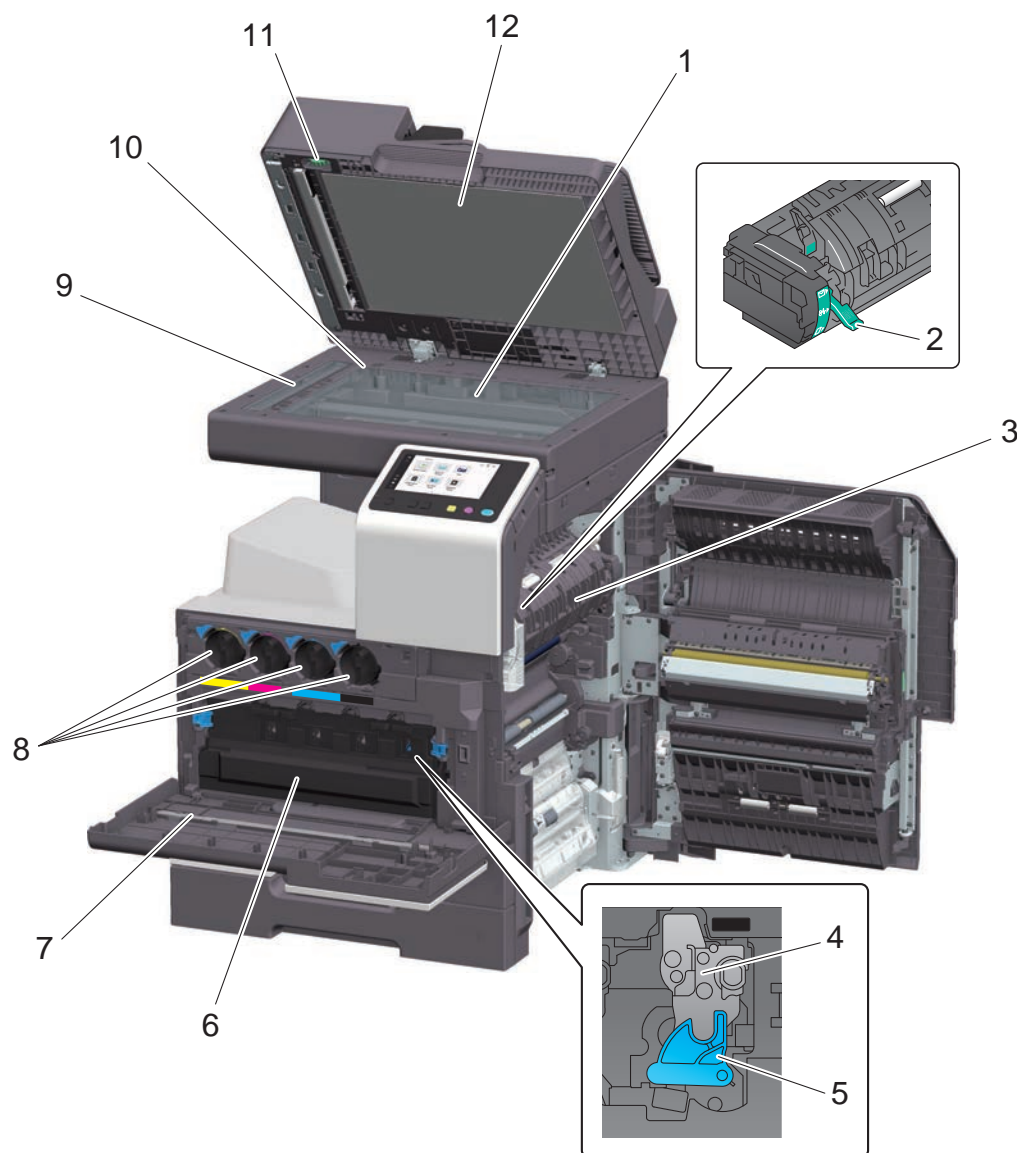
No.	Name	Description
3	<b>Network Connector (10Base-T/100Base-TX/1000Base-T)</b>	Connect to this port when using this machine as a network printer or network scanner.

### Tips

- The network port of this product is following No.2 and No.3. A port is activated when a network port inserts a cable.

### Inside

This illustration shows the main unit with **Reverse Automatic Document Feeder DF-633**.



No.	Name	Description
1	<b>Original Glass</b>	Used to load the original.
2	<b>Fusing Adjustment Lever</b>	Used to clear paper jams in the fusing unit when printing envelopes.
3	<b>Fusing Unit</b>	Used to fuse toner to paper using heat and pressure.
4	<b>Drum Unit</b>	Used to create a print image.

---

<b>No.</b>	<b>Name</b>	<b>Description</b>
5	<b>Lock Release Tab</b>	Used to remove the <b>Drum Unit</b> . (Black only)
6	<b>Waste Toner Box</b>	Used to collect used waste toners.
7	<b>Printhead Cleaner</b>	Used to clean the surface of the <b>Print Head Glass</b> .
8	<b>Toner Cartridge</b>	This machine provides <b>Toner Cartridge</b> in four colors: cyan (C), magenta (M), yellow (Y), and black (K). A full-color image is created by combining the four toner colors.
9	<b>Slit Scan Glass</b>	Used to scan an original image when using the <b>ADF</b> .
10	<b>Original Scale</b>	Load the original along this scale. This scale is also used to measure the size of the loaded original.
11	<b>Jam Removal Dial</b>	Turn this dial to remove paper that caused a paper jam in the <b>ADF</b> .
12	<b>Original Pad</b>	Fixes the loaded originals.





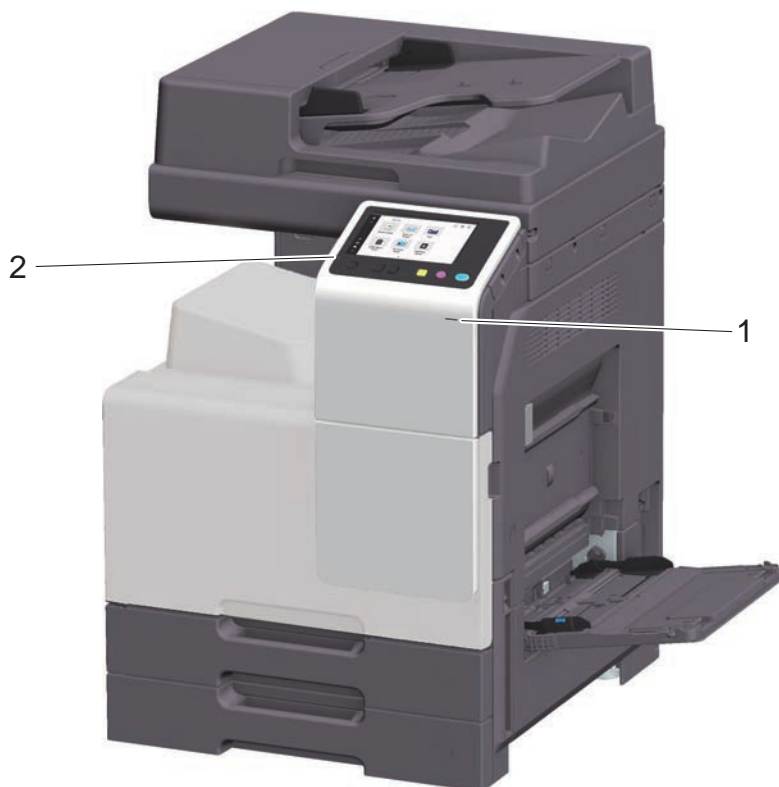
---



## **Checking the Machine Status Using Indicator LEDs**

## 2 Checking the Machine Status Using Indicator LEDs

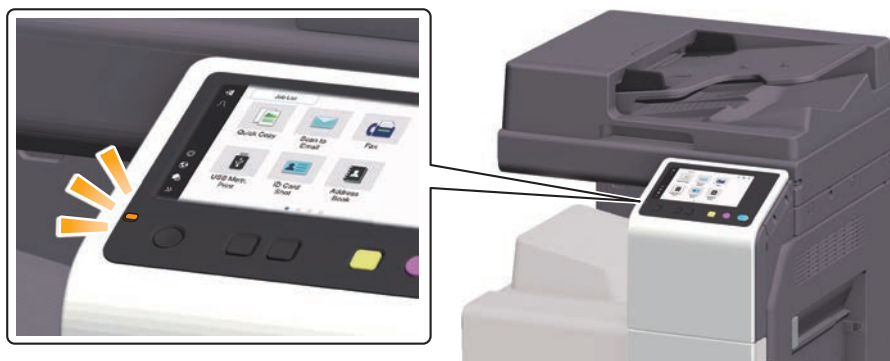
### 2.1 Name and Function of Each Indicator LED



No.	Name	Description
1	<b>Data Indicator</b>	Flashes or lights up to indicate the data receiving status on this machine. For details, refer to page 2-4.
2	<b>Warning Indicator</b>	Flashes or lights up to indicate that a problem has occurred in this machine. For details, refer to page 2-3.

## 2.2 Warning Indicator

Flashes or lights up to indicate that a problem has occurred in this machine.



Status of LED	Status of this machine
Flash (orange)	Indicates that a warning has occurred in this machine.
Light-up (orange)	Indicates that this machine is stopped due to an error.

## 2.3 Data Indicator

Flashes or lights up to indicate the data receiving status on this machine.



Status of LED	Status of this machine
Flash (blue)	Indicates that print data is currently being received.
Light-up (blue)	Indicates that data is currently being stored.

---

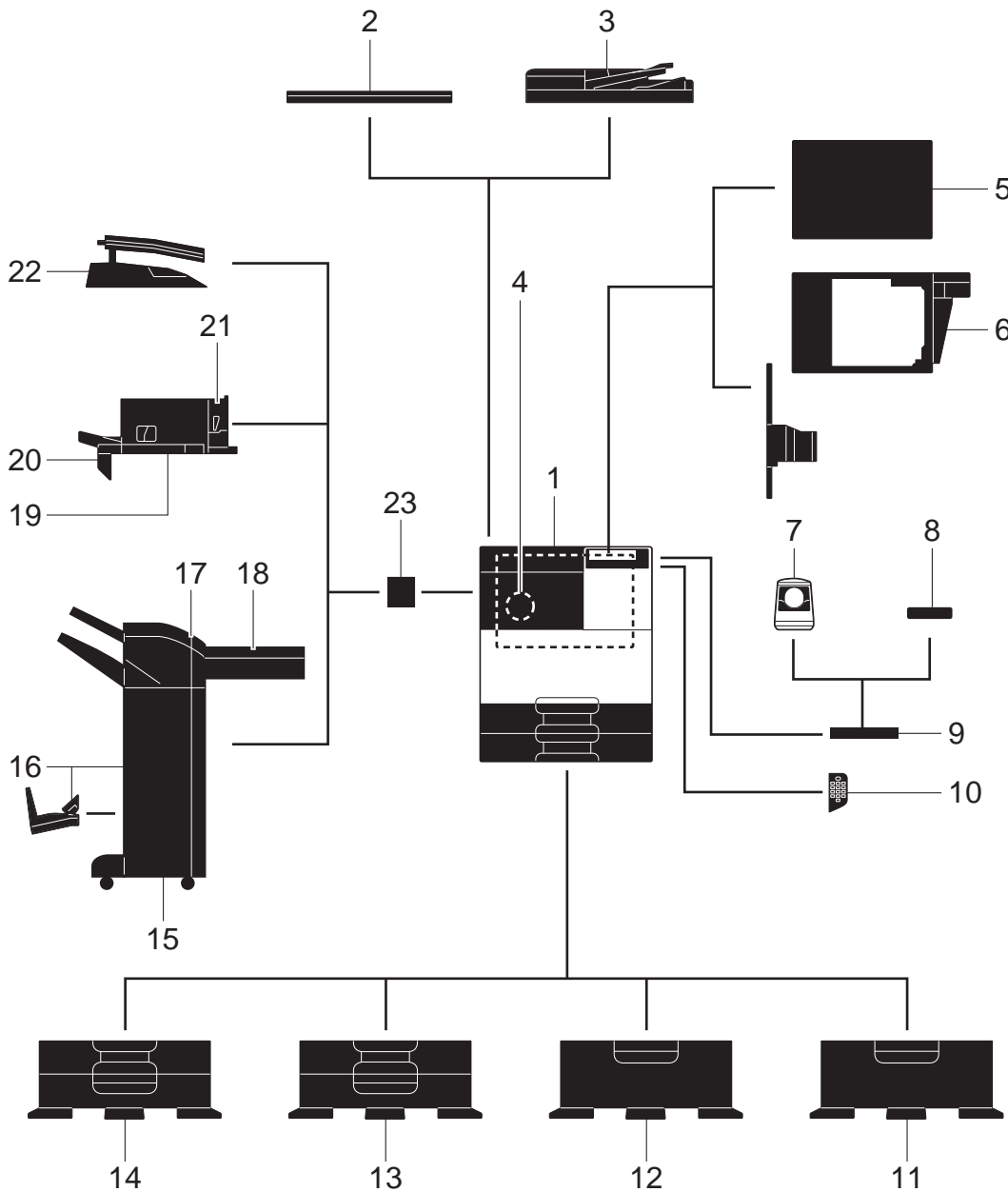


## **Name and Function of Each Optional Component**

### 3 Name and Function of Each Optional Component

#### 3.1 Optional Components

##### List of optional components



No.	Name	Description
1	Main unit	Scans the original in the scanner section, and prints a s in the printer section. This unit is referred to as "this machine" or "the main unit" in the manual.
2	<b>Original Cover OC-513</b>	Used to fix the loaded originals. This is referred to as <b>Original Cover</b> in the manual.

No.	Name	Description
3	<b>Reverse Automatic Document Feeder DF-633</b>	Automatically feeds and scans originals by page. This unit also reverses and automatically scans 2-sided originals. This unit is referred to as <b>ADF</b> in the manual.
4	<b>FAX Kit FK-513</b>	Used to operate this machine as a fax machine. When you use this machine as a fax machine, the optional <b>Expanded Memory Unit</b> must also be installed in this machine.
5	<b>Clean Unit CU-101</b>	Collects small particles (UFP) generated in this machine to prevent them from escaping this machine. The <b>Mount Kit MK-748</b> is required to install <b>Clean Unit CU-101</b> .
6	<b>Mount Kit MK-748</b>	This unit is required to install <b>Clean Unit CU-101</b> .
7	<b>Authentication Unit AU-102</b>	Performs user authentication by scanning vein patterns in the finger. The <b>Working Table WT-515</b> is required to install the <b>Authentication Unit AU-102</b> . To install, the <b>Local Interface Kit EK-608</b> or <b>Local Interface Kit EK-609</b> is required. This unit is referred to as <b>Biometric Authentication Unit</b> in the manual.
8	<b>Authentication Unit AU-201S</b>	Performs user authentication by scanning information recorded on the IC card or NFC-compatible Android terminal. The <b>Mount Kit MK-735</b> is required to install the <b>Authentication Unit AU-201S</b> . This unit can also be installed on the <b>Working Table WT-515</b> . To install, the <b>Local Interface Kit EK-608</b> or <b>Local Interface Kit EK-609</b> is required. This unit is referred to as <b>IC Card Authentication Unit</b> in the manual.
9	<b>Working Table WT-515</b>	This is used when the <b>Authentication Unit AU-102</b> or <b>Authentication Unit AU-201S</b> is installed.
10	<b>Keypad KP-101</b>	It is equipped on the side of the <b>Control Panel</b> . Allows you to operate this machine or enter a number by using hardware keys.
11	<b>Desk DK-518</b>	Used to install this machine on the floor. This unit is referred to as <b>Desk</b> in the manual.
12	<b>Paper Feed Cabinet PC-418</b>	Allows you to load up to 2500 sheets of 8-1/2 × 11 (A4) size. This unit is referred to as <b>LCT (built-in)</b> in the manual.
13	<b>Paper Feed Cabinet PC-218</b>	Allows you to load up to 500 sheets respectively in the top and bottom trays. This unit is referred to as <b>Double Paper Feed Cabinet</b> in the manual.
14	<b>Paper Feed Cabinet PC-118</b>	Allows you to load up to 500 sheets in the top tray and use the bottom tray as a storage box. This unit is referred to as <b>Single Paper Feed Cabinet</b> in the manual.
15	<b>Finisher FS-539</b>	Sorts, groups and staples printed paper before outputting it. To install the <b>Finisher FS-539</b> , the <b>Relay Unit RU-514</b> and <b>Mount Kit MK-603</b> are required. In addition, the <b>Paper Feed Cabinet PC-118</b> , <b>PC-218</b> , or <b>PC-418</b> or <b>Desk DK-518</b> must be installed on this machine.
16	<b>Finisher FS-539 SD</b>	Sorts, groups, staples, folds, and binds printed paper before outputting it. To install the <b>Finisher FS-539 SD</b> , the <b>Relay Unit RU-514</b> and <b>Mount Kit MK-603</b> are required. In addition, the <b>Paper Feed Cabinet PC-118</b> , <b>PC-218</b> , or <b>PC-418</b> or <b>Desk DK-518</b> must be installed on this machine.
17	<b>Punch Kit PK-524</b>	Install this unit onto the <b>Finisher FS-539/FS-539 SD</b> . This unit supports the punching function.
18	<b>Relay Unit RU-514</b>	This unit is required to install the <b>Finisher FS-539/FS-539 SD</b> on this machine.
19	<b>Finisher FS-533</b>	Install this unit onto the output tray of this machine. Sorts, groups and staples printed paper before outputting it. The <b>Mount Kit MK-602</b> and <b>Mount Kit MK-603</b> are required to install <b>Finisher FS-533</b> .
20	<b>Mount Kit MK-602</b>	This unit is required to install the <b>Finisher FS-533</b> .



No.	Name	Description
21	<b>Punch Kit PK-519</b>	Install this unit onto the <b>Finisher FS-533</b> . This unit supports the punching function.
22	<b>Job Separator JS-506</b>	Install this unit onto the output tray of this machine. This unit sorts printed sheets. The <b>Mount Kit MK-603</b> is required to install <b>Job Separator JS-506</b> .
23	<b>Mount Kit MK-603</b>	This unit is required to install the <b>Finisher FS-539/FS-539 SD/FS-533</b> or <b>Job Separator JS-506</b> on this machine.

### List of other optional components

The following options are built into this machine and are not shown in the figure.

No.	Name	Description
1	<b>Local Interface Kit EK-608</b>	Install this unit when using the voice guidance function. This is also required when the <b>Authentication Unit AU-102</b> or <b>Authentication Unit AU-201S</b> is used. The speaker and USB port are added. This unit is referred to as the <b>Local Interface Kit</b> in the manual.
2	<b>Local Interface Kit EK-609</b>	Install this unit when using the voice guidance function or the connection function with a Bluetooth LE-compatible iOS terminal. This is also required when the <b>Authentication Unit AU-102</b> or <b>Authentication Unit AU-201S</b> is used. The speaker, USB port, and receiving device for Bluetooth LE communication are added. This unit is referred to as <b>Local Interface Kit</b> or <b>Local Interface Kit (voice guidance / Bluetooth LE compatible)</b> in the manual.
3	<b>i-Option LK-102</b>	Allows you to add the PDF processing function.
4	<b>i-Option LK-104</b>	Allows you to add the voice guidance function.
5	<b>i-Option LK-105</b>	Allows you to add the searchable PDF function.
6	<b>i-Option LK-106</b>	Used to add a bar code font that is one of special fonts.
7	<b>i-Option LK-107</b>	Used to add a unicode font that is one of special fonts.
8	<b>i-Option LK-108</b>	Used to add an OCR font that is one of special fonts. In the standard, the OCR-B font (PostScript) is available. Installing this option allows a use of the OCR-A font (PCL).
9	<b>i-Option LK-110</b>	Allows you to convert a file into the DOCX or XLSX type or generate a high functionality and the high-quality data generation function. This option includes the function licenses for <b>i-Option LK-102</b> and <b>i-Option LK-105</b> . To purchase this option, you do not need to purchase <b>i-Option LK-102</b> and <b>i-Option LK-105</b> . For details about functions able to be added, refer to "User's Guide[Advanced Function Operations]/[Installing the Advanced Options (i-Option)]".
10	<b>i-Option LK-111</b>	Allows you to add the ThinPrint function.
11	<b>i-Option LK-114</b>	Allows you to add the serverless pull printing function.
12	<b>i-Option LK-115</b>	Allows you to add TPM (Trusted Platform Module). Security enhancement is realized by encrypting confidential information such as certificates and passwords of this machine.
13	<b>i-Option LK-116</b>	Allows you to add the virus scan function.
14	<b>i-Option LK-117</b>	Allows you to add the IP fax (SIP) function.
15	<b>Upgrade Kit UK-221</b>	Allows you to use this machine in a wireless network environment. This unit is referred to as the <b>Wireless LAN Interface Kit</b> in the manual.
16	<b>Heater HT-509</b>	Prevents paper in a paper tray from being affected by humidity. The <b>Heater HT-509</b> for paper feed cabinet can be mounted when you purchase the <b>Paper Feed Cabinet PC-118</b> , <b>PC-218</b> , or <b>PC-418</b> .

No.	Name	Description
17	<b>Power Supply BOX MK-734</b>	Used to turn on or off the operation of <b>Heater HT-509</b> for paper feed cabinet. The <b>Power Supply BOX MK-734</b> can be mounted when you purchase the <b>Paper Feed Cabinet PC-118, PC-218, or PC-418</b> or <b>Desk DK-518</b> .
18	<b>Mount Kit MK-735</b>	Required to have <b>Authentication Unit AU-201S</b> built in to the main unit.
19	<b>Expanded Memory Unit EM-907</b>	Used to increase the storage capacity to add functions. This unit is referred to as <b>Expanded Memory Unit</b> in the manual.

## Front

The illustration shows the main unit with **Paper Feed Cabinet PC-418**.



No.	Name	Description
1	<b>LCT (built-in)</b>	Allows you to load up to 2500 sheets of plain paper. For details on the available paper, refer to "User's Guide[Introduction]/[Loading Paper]".

The illustration shows the main unit with **Paper Feed Cabinet PC-218** or **Paper Feed Cabinet PC-118**.

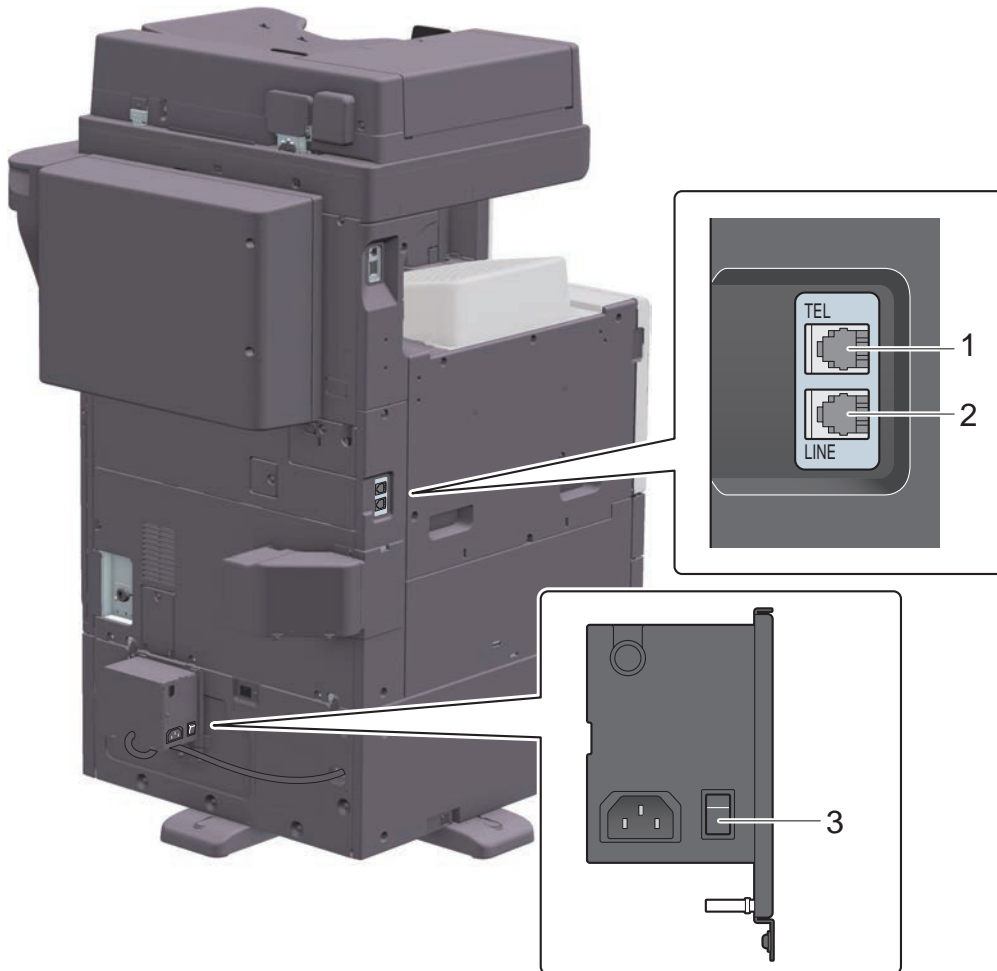


No.	Name	Description
2	<b>Bottom Right Door</b>	Open this door when clearing a paper jam in the <b>Tray 3</b> or <b>Tray 4</b> transport unit.
3	<b>Bottom Right Door Release Lever</b>	Used to lock the <b>Bottom Right Door</b> .
4	<b>Tray 3</b>	Allows you to load up to 500 sheets of plain paper. For details on the available paper, refer to "User's Guide[Introduction]/[Loading Paper]".

No.	Name	Description
5	Tray 4/Storage Box	Used as a <b>Storage Box</b> when installing <b>Single Paper Feed Cabinet</b> . This box allows you to load up to 500 sheets of plain paper when <b>Double Paper Feed Cabinet</b> is installed. For details on the available paper, refer to "User's Guide[Introduction]/[Loading Paper]".

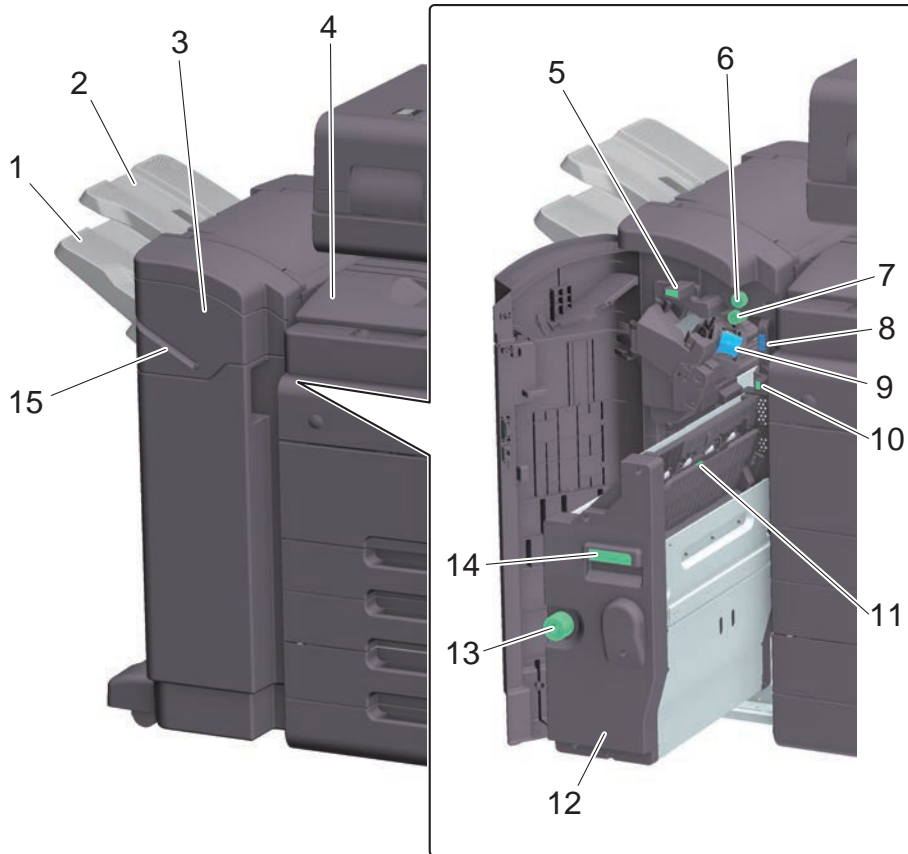
### Side/rear

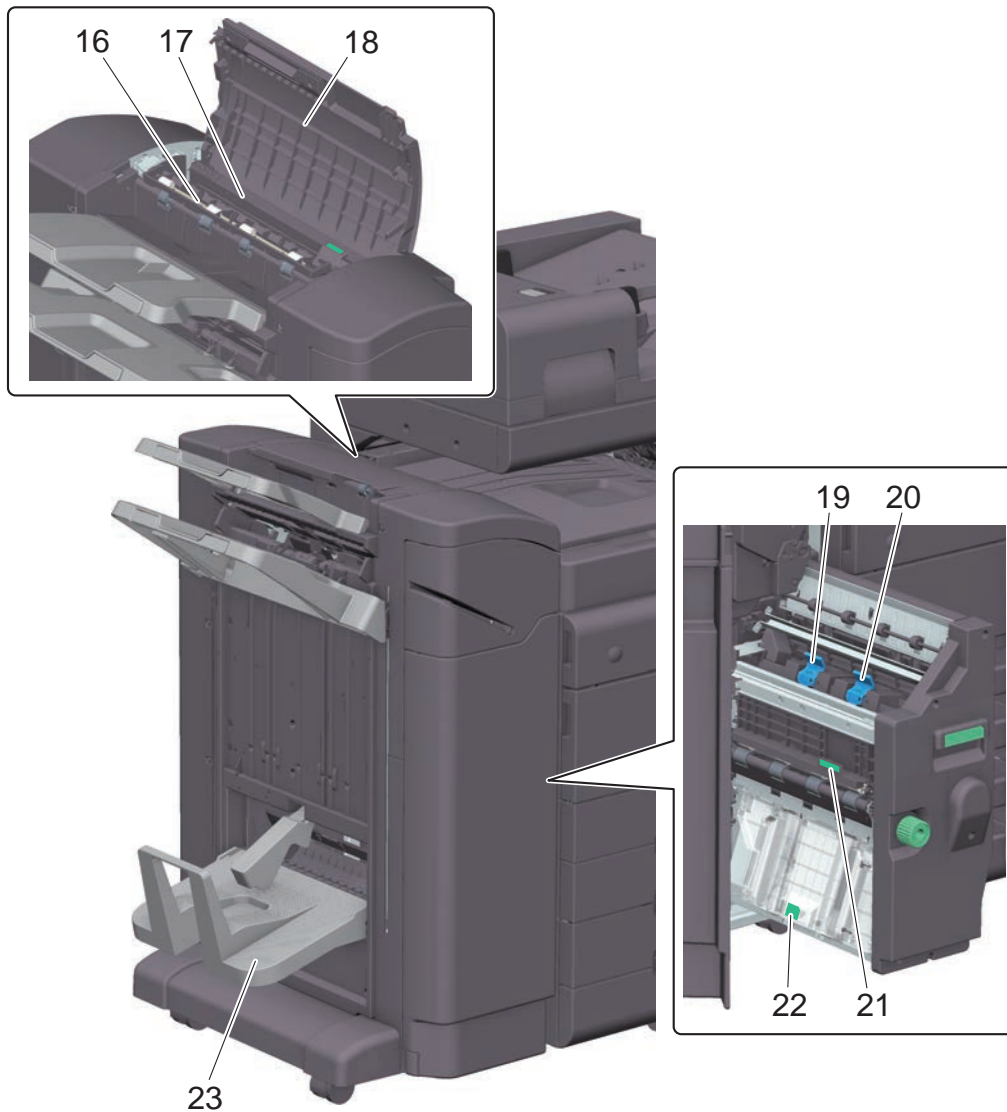
The illustration shows the main unit with **Reverse Automatic Document Feeder DF-633**, **Paper Feed Cabinet PC-218**, **FAX Kit FK-513**, **Power Supply BOX MK-734**, **Clean Unit CU-101**, and **Mount Kit MK-748**.



No.	Name	Description
1	Jack for connecting a telephone (TEL PORT1)	Used to connect a telephone cord.
2	Telephone Jack 1 (LINE PORT1)	Used to connect a general telephone subscriber line.
3	Heater Power Switch	Used to turn on or off the operation of <b>Heater</b> for paper feed cabinet. This function prevents paper from being affected by humidity when the power is turned on.

### 3.2 Finisher FS-539/FS-539 SD/Punch Kit PK-524

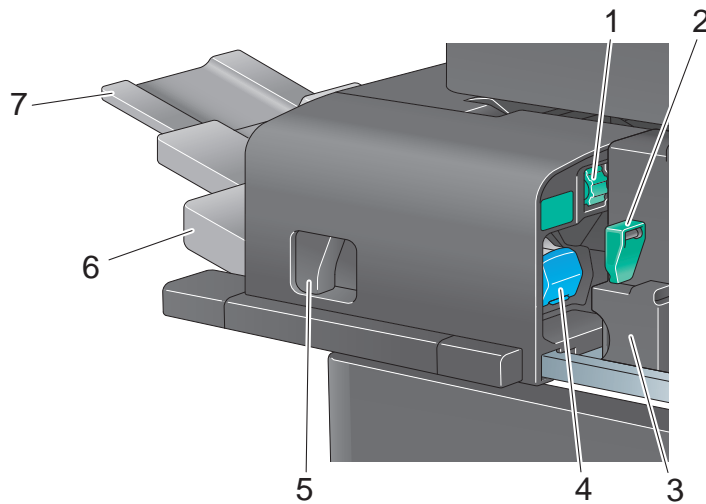





No.	Name	Description
1	<b>Output Tray2</b>	Outputs printed pages.
2	<b>Output Tray1</b>	Outputs printed pages.
3	<b>Front Door</b>	Open this door when clearing a paper jam or staple jam or when replacing a staple cartridge.
4	<b>Horizontal Transport Unit Cover</b>	Outputs printed pages. Open this cover when removing paper that caused a paper jam in the horizontal transport unit.
5	<b>Guide Lever [FS2]</b>	Turn this lever to clear a paper jam.
6	<b>Jam Removal Dial [FS1]</b>	Turn this dial to remove paper that caused a paper jam in the finisher.
7	<b>Jam Removal Dial [FS5]</b>	Turn this dial to remove paper that caused a paper jam in the finisher.
8	<b>Punch Scrap Box</b>	Remove this box when disposing of punch scraps.
9	<b>Staple Cartridge</b>	Pull out this cartridge from the finisher when clearing a staple jam or replacing a staple cartridge.
10	<b>Guide Lever [FS4]</b>	Turn this lever to clear a paper jam.
11	<b>Handle [SD2]</b>	Turn this handle to clear a paper jam.
12	<b>Saddle Stitcher</b>	Pull out this unit when clearing a paper jam or staple jam or when replacing a saddle staple cartridge.

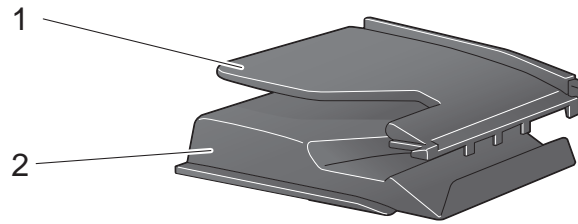
No.	Name	Description
13	<b>Jam Removal Dial</b> [SD3]	Turn this dial to remove paper that caused a paper jam in the finisher.
14	<b>Handle</b> [SD1]	Hold this handle when moving the <b>Saddle Stitcher</b> in and out.
15	<b>Manual Staple</b>	Used to manually staple printed sheets at the corner. For details, refer to page 3-12.
16	<b>Transport Unit</b> [FS3]	Open this cover when removing paper that caused a paper jam in the transport unit.
17	<b>Punch Kit</b>	Punches printed sheets for filing by installing the Punch Kit in the finisher.
18	<b>Top Cover</b>	Open this cover when removing paper that caused a paper jam in the finisher.
19	<b>Saddle Staple Cartridge 1</b>	Pull out this cartridge from the <b>Saddle Stitcher</b> when clearing a staple jam or replacing a saddle staple cartridge.
20	<b>Saddle Staple Cartridge 2</b>	Pull out this cartridge from the <b>Saddle Stitcher</b> when clearing a staple jam or replacing a saddle staple cartridge.
21	<b>Handle</b> [SD5]	Turn this handle to clear a paper jam.
22	<b>Handle</b> [SD4]	Turn this handle to clear a paper jam.
23	<b>Folding Output Tray</b>	Used to output printed pages by the fold/center staple function.

## 3.3 Finisher FS-533/Punch Kit PK-519



No.	Name	Description
1	<b>Jam Removal Dial</b> [FS1]	Turn this dial to remove paper that caused a paper jam in the finisher.
2	<b>Punch Kit Release Lever</b> [FS2]	Used to open the punch kit when removing a punch scrap box.
3	<b>Punch Kit</b>	You can punch printed sheets for filing by installing the Punch Kit in the finisher.
4	<b>Staple Cartridge</b>	Pull out this cartridge from the finisher when clearing a staple jam or replacing a staple cartridge.
5	<b>Lock Release Lever</b>	Used to release and move the finisher and main unit when clearing a paper jam.
6	<b>Output Tray</b>	Outputs printed pages.
7	<b>Tray Extension</b>	Pull this tray out when handling paper longer than 8-1/2 × 11 (A4)  .

### 3.4 Job Separator JS-506



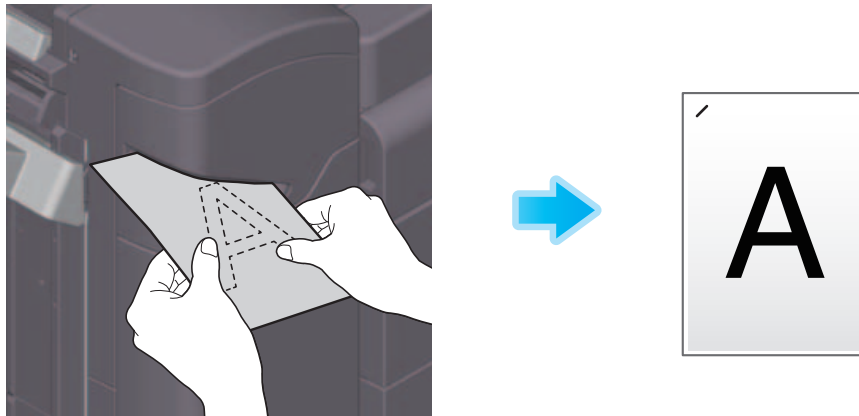
No.	Name	Description
1	<b>Output Tray1</b>	Collects printed pages.
2	<b>Output Tray2</b>	Collects printed pages.



## 3.5 Using Manual Staple

Using the manual staple function installed in the **Finisher** allows you to manually staple printed sheets at the corner (45 degrees). This function is useful when you want to staple the printed sheets later without setting the staple function.

To staple sheets, align their corners with the slit in front of the **Finisher**. Then, insert the paper corner until it hits the back; the **Finisher** staples sheets automatically.



### Tips

- An optional **Finisher FS-539** or **Finisher FS-539 SD** is required to use this function.
- Up to 50 sheets (23-15/16 lb (90 g/m<sup>2</sup>)) can be stapled at one time.
- When this machine is in sleep mode, the manual staple function does not work. To use the manual staple function, release the sleep mode. For details on the manual staple operation setting, refer to "User's Guide[Descriptions of Functions/Utility Keys]/[Administrator]".
- When the LED in the slit of the **Finisher** is turned off, the manual staple function is not available.

### Related setting (for the administrator)

- [Manual staple setting] ("User's Guide[Descriptions of Functions/Utility Keys]/[Administrator]")

### Reference

*Replacing a Staple Cartridge* ("User's Guide[Maintenance]/[Replacing Consumables]")

*When a staple jam has occurred* ("User's Guide[Troubleshooting]/[When a Paper/Staple Jam Is Occurring]")

---

# 4

## List of Functions with Options Required

## 4 List of Functions with Options Required

### Copy options

Function	Required option
Half-Fold Center Staple & Fold Tri-Fold	<b>Finisher FS-539 SD</b>
Punch	One of the following combinations is required. <ul style="list-style-type: none"> <li>• <b>Finisher FS-539</b> and <b>Punch Kit PK-524</b></li> <li>• <b>Finisher FS-539 SD</b> and <b>Punch Kit PK-524</b></li> <li>• <b>Finisher FS-533</b> and <b>Punch Kit PK-519</b></li> </ul>
Staple	One of the following units is required. <ul style="list-style-type: none"> <li>• <b>Finisher FS-539</b></li> <li>• <b>Finisher FS-539 SD</b></li> <li>• <b>Finisher FS-533</b></li> </ul>
Finishing Program	One of the following units is required. <ul style="list-style-type: none"> <li>• <b>Finisher FS-539</b></li> <li>• <b>Finisher FS-539 SD</b></li> <li>• <b>Finisher FS-533</b></li> </ul>
Booklet Original	One of the following units is required. <ul style="list-style-type: none"> <li>• <b>Finisher FS-539 SD</b></li> </ul>
Save in User Box	<b>Expanded Memory Unit</b>
Program Jobs	<b>Expanded Memory Unit</b>
Overlay	<b>Expanded Memory Unit</b>
Registered Overlay	<b>Expanded Memory Unit</b>

### Print options

Function	Required option
Half-Fold Center Staple & Fold Tri-Fold	<b>Finisher FS-539 SD</b>
Punch	One of the following combinations is required. <ul style="list-style-type: none"> <li>• <b>Finisher FS-539</b> and <b>Punch Kit PK-524</b></li> <li>• <b>Finisher FS-539 SD</b> and <b>Punch Kit PK-524</b></li> <li>• <b>Finisher FS-533</b> and <b>Punch Kit PK-519</b></li> </ul>
Staple	One of the following units is required. <ul style="list-style-type: none"> <li>• <b>Finisher FS-539</b></li> <li>• <b>Finisher FS-539 SD</b></li> <li>• <b>Finisher FS-533</b></li> </ul>
E-mail RX Print	<b>Expanded Memory Unit</b> and <b>i-Option LK-110</b>
ThinPrint	<b>i-Option LK-111</b>
Serverless Pull Printing	<b>i-Option LK-114</b>
Save in User Box	<b>Expanded Memory Unit</b>
ID&Print	<b>Expanded Memory Unit</b>
SMB Printing	<b>Expanded Memory Unit</b>
Combination of overlay images registered on the device	<b>Expanded Memory Unit</b>
Download Manager	<b>Expanded Memory Unit</b>
Simple printing for se- cure document	<b>Expanded Memory Unit</b>

## Scan options

Function	Required option
DOCX/XLSX conversion and OCR character recognition	<b>Expanded Memory Unit and i-Option LK-110</b>
PDF encryption by digital ID	One of the following combinations is required. <ul style="list-style-type: none"> <li>• <b>Expanded Memory Unit and i-Option LK-102</b></li> <li>• <b>Expanded Memory Unit and i-Option LK-110</b></li> </ul>
PDF File Properties	One of the following combinations is required. <ul style="list-style-type: none"> <li>• <b>Expanded Memory Unit and i-Option LK-102</b></li> <li>• <b>Expanded Memory Unit and i-Option LK-110</b></li> </ul>
PDF/A	One of the following combinations is required. <ul style="list-style-type: none"> <li>• <b>Expanded Memory Unit and i-Option LK-102</b></li> <li>• <b>Expanded Memory Unit and i-Option LK-110</b></li> </ul>
PDF Web Optimization	One of the following combinations is required. <ul style="list-style-type: none"> <li>• <b>Expanded Memory Unit and i-Option LK-102</b></li> <li>• <b>Expanded Memory Unit and i-Option LK-110</b></li> </ul>
Searchable PDF	One of the following combinations is required. <ul style="list-style-type: none"> <li>• <b>Expanded Memory Unit and i-Option LK-105</b></li> <li>• <b>Expanded Memory Unit and i-Option LK-110</b></li> </ul>
S/MIME	<b>Expanded Memory Unit</b>
Scan to URL	<b>Expanded Memory Unit</b>
Scan to Home	<b>Expanded Memory Unit</b>
Scan to Me	<b>Expanded Memory Unit</b>
Scan to Box	<b>Expanded Memory Unit</b>
Address Search Address Search (LDAP)	<b>Expanded Memory Unit</b>

## Fax and Network Fax options

Function	Required option
Fax	<b>Expanded Memory Unit and Fax Kit</b>
Internet Fax	<b>Expanded Memory Unit</b>
IP Address Fax	<b>Expanded Memory Unit and Fax Kit</b>
IP fax (SIP)	<b>Expanded Memory Unit, Fax Kit, and i-Option LK-117</b>
File Type (TSI Routing)	<b>Expanded Memory Unit and i-Option LK-110</b>
DOCX/XLSX conversion and OCR character recognition	<b>Expanded Memory Unit and i-Option LK-110</b>
Conversion of searchable PDF file (Forward TX, TSI Routing)	<b>Expanded Memory Unit and i-Option LK-110</b>

## User Box options

Function	Required option
User Box	<b>Expanded Memory Unit</b>
ID & Print User Box	<b>Expanded Memory Unit</b>
Annotation User Box	<b>Expanded Memory Unit</b>
Password Encrypted PDF User Box	<b>Expanded Memory Unit</b>
External Memory	<b>Expanded Memory Unit</b>

Function	Required option
User Box administrator	<b>Expanded Memory Unit</b>
User Box Document Backup	<b>Expanded Memory Unit</b>
User Box	<b>Expanded Memory Unit</b>

### Guidance, font, security, and maintenance options

Function	Required option
Voice guidance	<b>Expanded Memory Unit, i-Option LK-104, and Local Interface Kit</b>
Bar code font	<b>i-Option LK-106</b>
Unicode font	<b>i-Option LK-107</b>
OCR font	<b>i-Option LK-108</b>
TPM (Trusted Platform Module)	<b>i-Option LK-115</b>
Virus scan	<b>Expanded Memory Unit and i-Option LK-116</b>
Font/macro management	<b>Expanded Memory Unit</b>
Destination import/export	<b>Expanded Memory Unit</b>
Destination batch deletion	<b>Expanded Memory Unit</b>
Rollback after firmware update	<b>Expanded Memory Unit</b>
Automatic update file relay function	<b>Expanded Memory Unit</b>
Destination reference restriction	<b>Expanded Memory Unit</b>
Job Log	<b>Expanded Memory Unit</b>
TX Operation Log	<b>Expanded Memory Unit</b>

### Communication options

Function	Required option
Wireless network connection	<b>Wireless LAN Interface Kit</b>
Bluetooth LE	<b>Local Interface Kit (voice guidance / Bluetooth LE compatible)</b>

### Authentication options

Function	Required option
Card Authentication	<b>IC Card Authentication Unit</b> Either one of the following units is required. <ul style="list-style-type: none"> <li>• <b>Working Table</b></li> <li>• <b>Mount Kit MK-735</b></li> </ul>
Bio Authentication	<b>Biometric Authentication Unit and Working Table</b>

### Network and system link options

Function	Required option
FTP Server	<b>Expanded Memory Unit</b>

---

<b>Function</b>	<b>Required option</b>
Link with fax server	<b>Expanded Memory Unit</b>
Connection to application	<b>Expanded Memory Unit</b>



---

A large, bold, black number '5' is centered within a gray square. The square is positioned to the left of the text 'Specifications of this Machine'.

**Specifications of this Machine**


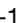
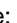


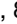


---



## 5 Specifications of this Machine

### Main unit

Item	Specifications
Name	<b>D332</b> <b>D330</b>
Type	Desktop
Scanning resolution	600 dpi × 600 dpi
Writing resolution	1800 dpi or equivalent × 600 dpi
Gradation	256
Memory size	6 GB
Storage size	256 GB
Originals	Sheets, books, objects (Max. weight limit: 4-7/16 lb (2 kg))
Max. original size	11 × 17 (A3)
Output size	<p>Main unit: 11 × 17<sup>*1</sup> to 8-1/2 × 11, 5-1/2 × 8-1/2, A3<sup>*1</sup> to A5 □, 8 × 13<sup>*2</sup>, 16K, 8K, Custom-size paper<sup>*3</sup></p> <p><b>Bypass Tray:</b> 11 × 17 to 5-1/2 × 8-1/2, A3 to B6 □, A6 □, 8 × 13<sup>*4</sup>, 16K, 8K, Postcard (4 × 6 (A6 Card)), Envelope<sup>*5</sup>, Index paper, Banner paper (Width: 8-1/4 inches to 11-11/16 inches (210 mm to 297 mm), Length: 17 inches to 47-1/4 inches (431.9 mm to 1200 mm))<sup>*6</sup>, Custom-size paper<sup>*7</sup></p> <p><sup>*1</sup> 11 × 17 and A3 are available only for <b>Tray 2</b>.</p> <p><sup>*2</sup> Foolscap has the following four types: 8-1/2 × 13-1/2 □, 8-1/2 × 13 □, 8-1/4 × 13 □, and 8 × 13 □. Any one of these sizes is selectable. For details, contact your service representative.</p> <p><sup>*3</sup> <b>Tray 1</b> is available for the following paper size: "Width: 5-1/2 inches to 11-11/16 inches (139.7 mm to 297 mm) and Length: 7-3/16 inches to 14-5/16 inches (182 mm to 364 mm)". <b>Tray 2</b> is available for the following paper size: "Width: 5-1/2 inches to 11-11/16 inches (139.7 mm to 297 mm) and Length: 7-3/16 inches to 17 inches (182 mm to 431.8 mm)".</p> <p><sup>*4</sup> Foolscap has the following six types: 8-1/2 × 13-1/2 □, 220 mm × 330 mm □, 8-1/2 × 13 □, 8-1/4 × 13 □, 8-1/8 × 13-1/4 □, and 8 × 13 □. Any one of these sizes is selectable. For details, contact your service representative.</p> <p><sup>*5</sup> Wrinkles or printing errors may occur due to the type, storage or environment that exists when envelope printing is carried out.</p> <p><sup>*6</sup> Printing on banner paper can only be performed from a PC.</p> <p><sup>*7</sup> <b>Bypass Tray</b> is available for the following paper size: "Width: 3-9/16 inches to 11-11/16 inches (90 mm to 297 mm) and Length: 5-1/2 inches to 47-1/4 inches (139.7 mm to 1200 mm)".</p>
Image chipping width	<p>Top edge: Max. 3/16 inches (4.2 mm) or less, Bottom edge: Max. 1/8 inches (3 mm) or less, Right/left edges: Max. 1/8 inches (3 mm) or less</p> <p>* 3/16 inches (4.2 mm) on each edge of the image is clipped when printed.</p>
Paper weight	<p>Main unit: 15-15/16 lb to 68-1/8 lb (60 g/m<sup>2</sup> to 256 g/m<sup>2</sup>)</p> <p><b>Bypass Tray:</b> 15-15/16 lb to 68-1/8 lb (60 g/m<sup>2</sup> to 256 g/m<sup>2</sup>)</p>
Warm-up time (73.4 °F (23 °C), std. voltage)	<p>20 sec. or less</p> <p>* Warm-up time may vary depending on the operating environment and usage.</p>
First copy time	Full color: 8.4 sec. or less, Black: 6.8 sec. or less
Copy speed	<p><b>D332</b></p> <p>28.2 sheets/min. (8-1/2 × 11 □, A4 □, B5 □)</p> <p>16.0 sheets/min. (8-1/2 × 14, B4)</p> <p>14.1 sheets/min. (11 × 17, A3)</p> <p><b>D330</b></p> <p>22.2 sheets/min. (8-1/2 × 11 □, A4 □, B5 □)</p> <p>16.0 sheets/min. (8-1/2 × 14, B4)</p> <p>14.1 sheets/min. (11 × 17, A3)</p>

Item	Specifications
Copy magnification	< Fixed same magnification > Full size 1 : 1±0.5% or less Enlarge Inch area 1: 1.214/1.294/1.545/2.000 Metric area 1: 1.154/1.224/1.414/2.000 Reduce Inch area 1: 0.785/0.733/0.647/0.500 Metric area 1: 0.866/0.816/0.707/0.500 < Preset > 3 types < Zoom > 25% to 400% (in 0.1% increments) < Lengthwise crosswise individual settings > 25% to 400% (in 0.1% increments)
Paper handling/paper capacity	<b>Tray 1/Tray 2:</b> 500 sheets for each (21-1/4 lb (80 g/m <sup>2</sup> )) <b>Bypass Tray:</b> 100 sheets (21-1/4 lb (80 g/m <sup>2</sup> ))
Stacking capacity	250 sheets (8-1/2 × 11  (A4  )) (21-1/4 lb (80 g/m <sup>2</sup> ))
Number of continuous copies	1 to 9999 sheets
Auto duplex	Paper size: 11 × 17 to 5-1/2 × 8-1/2  , A3 to A5, B6  , A6  , Postcard (4 × 6 (A6 Card)), 8 × 13  , 16K  , 8K  Paper weight: 15-15/16 lb to 68-1/8 lb (60 g/m <sup>2</sup> to 256 g/m <sup>2</sup> )
Power supply	AC 120 V, 12 A, 60 Hz (AC 220 V to 240 V, 8 A, 50/60 Hz)
Max. power consumption	1.5 kW (1.58 kW)
Dimensions ([W] × [D] × [H])	22-1/2 inches (571 mm) × 26-1/16 inches (661.5 mm) × 30-15/16 inches (786 mm) (Up to the surface of Original Grass)
Machine occupation dimensions ([W] × [D] × [H])	34-13/16 inches (885 mm) × 42-15/16 inches (1090 mm) × 30-15/16 inches (786 mm) * This shows the dimensions when the <b>Paper Trays</b> are pulled out and the <b>Tray Extension</b> of the <b>Bypass Tray</b> is opened.
Weight	Approx. 154-5/16 lb (70 kg)

## Scanning function specifications

Item	Specifications
Type	Full-color scanner
Scanning size	Conforms to the main unit specifications.
Scanning resolution	Push: 200 dpi/300 dpi/400 dpi/600 dpi Pull: 100 dpi/200 dpi/300 dpi/400 dpi/600 dpi
Scanning speed	Color and B & W: 55 sheets/min. * Speed when scanning 8-1/2 × 11(A4) original in 300 dpi mode by using the <b>ADF</b> .
Interface	Ethernet (1000Base-T/100Base-TX/10Base-T)
Supported protocols	TCP/IP (FTP, SMB*, SMTP, WebDAV) (IPv4/IPv6) * Compatible with SMB 3.0.
Output format	TIFF, PDF, Compact PDF, PDF/A, Linearized PDF, JPEG, XPS, Compact XPS, OOXML (pptx, xlsx, docx), Searchable PDF
Supported operating systems	Windows 7* Windows 8.1* Windows 10* * Supports the 32-bit (x86) or 64-bit (x64) environment.
Driver	TWAIN Driver HDD TWAIN Driver

## Printer specifications

Item	Specifications
Type	Embedded
Paper size	Conforms to the main unit specifications.
Print speed	Conforms to the main unit specifications.
Resolution	1800 dpi (equivalent) × 600 dpi (at smoothing)
Page description language	PCL5e/c Emulation PCL6 (XL ver. 3.0) Emulation PostScript 3 Emulation (3016)
Fonts	< PCL > European 80 fonts < PS > European 137 fonts
Supported protocols	TCP/IP (LPD, Raw, SMB*, IPP) * Compatible with SMB 3.0.
Supported operating systems (PCL)	Windows 7* Windows 8.1* Windows 10* Windows Server 2008* Windows Server 2008 R2 Windows Server 2012/Windows Server 2012 R2 Windows Server 2016 Windows Server 2019 * Supports the 32-bit (x86) or 64-bit (x64) environment.
Supported operating systems (PS)	Windows 7* Windows 8.1* Windows 10* Windows Server 2008* Windows Server 2008 R2 Windows Server 2012/Windows Server 2012 R2 Windows Server 2016 Windows Server 2019 * Supports the 32-bit (x86) or 64-bit (x64) environment. Mac OS 10.11/10.12/10.13/10.14/10.15 (Intel-based PPD) Linux (PPD)
Interface	Ethernet (1000Base-T/100Base-TX/10Base-T) USB 2.0/1.1

---



## **Specifications of Optional Components**




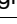
## 6 Specifications of Optional Components

### FAX Kit FK-513

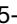

Item	Specifications
Communication	Super G3
Applicable lines	Subscribed telephone lines (including facsimile communication networks) PBX lines
Line density	Ultra Fine: 600 dpi × 600 dpi Super Fine: 16 dot/mm × 15.4 line/mm, 400 dpi × 400 dpi Fine: 8 dot/mm × 7.7 line/mm, 200 dpi × 200 dpi Normal: 8 dot/mm × 3.85 line/mm Faxes are transmitted at any of the above scanning line densities according to the capabilities of a recipient's machine.
Modem speed	2400/4800/7200/9600/12000/14400/16800/19200/ 21600/24000/26400/28800/31200/33600 bps
Compression	JBIG, MMR, MR, MH
Sending paper size	<b>Original Glass:</b> 11-11/16 inches × 17 inches (297 mm × 431.8 mm) (11 × 17 (A3) size) <b>ADF:</b> 11-11/16 inches × 39-3/8 inches (297 mm × 1000 mm) (Normal, Fine, Super Fine) 11-11/16 inches × 17 inches (297 mm × 431.8 mm) (Ultra Fine, Manual Transmission)
Recording paper size	11-11/16 inches × 16-9/16 inches (297 × 420 mm) (11 × 17 (A3) size) The machine cannot receive a document that exceeds 39-3/8 inches (1000 mm) in length. If the received document is longer than the specified paper size, it is printed out based on the page separation setting.
Transmission speed	Less than 2 seconds per page * Time when sending an our standard A4 original including 700 characters with the normal image quality (8 dot/mm × 3.85 line/mm) in super G3 mode (ITU-T V.34 base 33.6 kbps or more) with JBIG.
Number of abbr. dials	2000
Number of program dials	400
Number of group dials	100
Sequential multiple station transmission	Max. 600

### Reverse Automatic Document Feeder DF-633

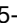
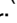
Item	Specifications
Document feeder type	Reverse Automatic Document Feeder
Original types	Plain paper 1-sided original: 9-5/16 lb to 34-1/16 lb (35 g/m <sup>2</sup> to 128 g/m <sup>2</sup> ) 2-sided original: 13-5/16 lb to 34-1/16 lb (50 g/m <sup>2</sup> to 128 g/m <sup>2</sup> ) Mixed original: 13-5/16 lb to 34-1/16 lb (50 g/m <sup>2</sup> to 128 g/m <sup>2</sup> )
Original size	Max. 11 × 17 (A3) (Fax mode: Max. 39-3/8 inches (1000 mm))
Original loading capacity	130 sheets (21-1/4 lb (80 g/m <sup>2</sup> ))

Item	Specifications
Scanning speed	When copying (B & W, Letter (8-1/2 × 11  or A4  , resolution 600 dpi) 1-sided original: 30 sheets/min. 2-sided original: 14 sides/min. When scanning (B & W/Color, Letter (8-1/2 × 11  or A4  , resolution 300 dpi) 1-sided original: 55 sheets/min. 2-sided original: 20 sides/min.
Power supply	Supply from machine
Dimensions ([W] × [D] × [H])	22-1/4 inches (565 mm) × 18-1/8 inches (461 mm) × 4-13/16 inches (121.6 mm)
Weight	Approx. 13-7/16 lb (6.1 kg)



### Paper Feed Cabinet PC-118

Item	Specifications
Unit configuration	Paper tray, 1 level
Paper type	Plain paper (15-15/16 lb to 23-15/16 lb (60 g/m <sup>2</sup> to 90 g/m <sup>2</sup> )), Thick (24-3/16 lb to 68-1/8 lb (91 g/m <sup>2</sup> to 256 g/m <sup>2</sup> ))
Paper size	11 × 17 to 5-1/2 × 8-1/2  , A3 to A5  , 8 × 13, 16K, 8K
Paper capacity	Plain paper: 500 sheets (21-1/4 lb (80 g/m <sup>2</sup> )) Thick: 150 sheets
Power supply	Supply from machine
Max. power consumption	15 W or less
Dimensions ([W] × [D] × [H])	22-3/16 inches (564 mm) × 25-3/16 inches (640 mm) × 10 inches (254 mm)
Weight	Approx. 48-1/2 lb (22 kg)

### Paper Feed Cabinet PC-218

Item	Specifications
Unit configuration	Paper tray, 2 levels
Paper type	Plain paper (15-15/16 lb to 23-15/16 lb (60 g/m <sup>2</sup> to 90 g/m <sup>2</sup> )), Thick (24-3/16 lb to 68-1/8 lb (91 g/m <sup>2</sup> to 256 g/m <sup>2</sup> ))
Paper size	11 × 17 to 5-1/2 × 8-1/2  , A3 to A5  , 8 × 13, 16K, 8K
Paper capacity	Upper Tray ( <b>Tray 3</b> ) Plain paper: 500 sheets (21-1/4 lb (80 g/m <sup>2</sup> )) Thick: 150 sheets Lower Tray ( <b>Tray 4</b> ) Plain paper: 500 sheets (21-1/4 lb (80 g/m <sup>2</sup> )) Thick: 150 sheets
Power supply	Supply from machine
Max. power consumption	15 W or less
Dimensions ([W] × [D] × [H])	22-3/16 inches (564 mm) × 25-3/16 inches (640 mm) × 10 inches (254 mm)
Weight	Approx. 52-15/16 lb (24 kg)

### Paper Feed Cabinet PC-418

Item	Specifications
Paper type	Plain paper (15-15/16 lb to 23-15/16 lb (60 g/m <sup>2</sup> to 90 g/m <sup>2</sup> )), Thick (24-3/16 lb to 68-1/8 lb (91 g/m <sup>2</sup> to 256 g/m <sup>2</sup> ))
Paper size	8-1/2 × 11  , A4 

Item	Specifications
Paper capacity	Plain paper: 2500 sheets (21-1/4 lb (80 g/m <sup>2</sup> )) Thick: 1000 sheets
Power supply	Supply from machine
Max. power consumption	15 W or less
Dimensions ([W] × [D] × [H])	22-3/16 inches (564 mm) × 25-3/16 inches (640 mm) × 10 inches (254 mm)
Weight	Approx. 50-11/16 lb (23 kg)

### Finisher FS-539

Item	Specifications	
Paper size (Output Tray1)	12-1/4 × 18 (A3 wide (311.1 mm × 457.2 mm)), 11 × 17 to 5-1/2 × 8-1/2, SRA3, A3 to A5, B6 ☐, A6 ☐, 16K, 8K, Postcard (4 × 6 (A6 Card)), Banner paper	
Paper size (Output Tray2)	Group/Sort	12-1/4 × 18 (A3 wide (311.1 mm × 457.2 mm)), 11 × 17 to 5-1/2 × 8-1/2, SRA3, A3 to A5, 16K, 8K
	Offset Group/Offset Sort	12-1/4 × 18 (A3 wide (311.1 mm × 457.2 mm)), 11 × 17 to 7-1/4 × 10-1/2, SRA3, A3 to B5, A5 ☐, 16K, 8K
	Staple	11 × 17 to 7-1/4 × 10-1/2, A3 to B5, A5 ☐, 16K, 8K
Stacking capacity (Output Tray1)	Thin paper, Plain paper: 200 sheets Plain paper+, Thick, Transparency, Postcard (4 × 6 (A6 Card)), Envelope, Label sheet, Letterhead, Index paper: 20 sheets Banner paper: Not specified. * Paper with a stacking height above 35 mm regardless of the number of sheets cannot be stacked.	

Item		Specifications
Stacking capacity (Output Tray2)	Sort/Group	Thin paper, Plain paper, Plain paper+ <ul style="list-style-type: none"> <li>• 8-1/2 × 11, 7-1/4 × 10-1/2, A4, B5: 3000 sheets</li> <li>• 5-1/2 × 8-1/2 or smaller, A5 or smaller: 500 sheets</li> </ul> Thick, Transparency, Envelope, Label sheet, Letterhead: 20 sheets * Paper cannot be stacked higher than the following height regardless of the number of sheets in the stack. <ul style="list-style-type: none"> <li>• 8-1/2 × 11 (A4) or smaller: 14-3/4 inches (375 mm)</li> <li>• 8-1/2 × 14 (B4) or larger: 7-3/8 inches (187.5 mm)</li> </ul>
	Offset Sort/Offset Group	Thin paper, Plain paper, Plain paper+ <ul style="list-style-type: none"> <li>• 8-1/2 × 11, 7-1/4 × 10-1/2, A4, B5: 3000 sheets</li> <li>• 8-1/2 × 14 or larger, B4 or larger: 1500 sheets</li> <li>• 5-1/2 × 8-1/2, A5: 500 sheets</li> </ul> Thick: 20 sheets * Paper cannot be stacked higher than the following height regardless of the number of sheets in the stack. <ul style="list-style-type: none"> <li>• 8-1/2 × 11 (A4) or smaller: 14-3/4 inches (375 mm)</li> <li>• 8-1/2 × 14 (B4) or larger: 7-3/8 inches (187.5 mm)</li> </ul>
	Staple	Thin paper <ul style="list-style-type: none"> <li>• 2 to 9 sheets: 100 copies</li> <li>• 10 to 20 sheets: 50 copies</li> <li>• 21 to 30 sheets: 30 copies</li> <li>• 31 to 40 sheets: 25 copies</li> <li>• 41 to 50 sheets: 20 copies</li> </ul> Plain paper, Plain paper+ <ul style="list-style-type: none"> <li>• 2 to 9 sheets: 200 copies (8-1/2 × 11 <input type="checkbox"/>, A4 <input type="checkbox"/>, B5 <input type="checkbox"/>)*, 100 copies (8-1/2 × 11 <input type="checkbox"/> or smaller, A4 <input type="checkbox"/> or smaller, 8-1/2 × 14 or larger, B4 or larger)</li> <li>• 10 to 20 sheets: 50 copies</li> <li>• 21 to 30 sheets: 30 copies</li> <li>• 31 to 40 sheets: 25 copies</li> <li>• 41 to 50 sheets: 20 copies</li> </ul> Thick <ul style="list-style-type: none"> <li>• 2 to 5 sheets: 100 copies</li> <li>• 6 or more sheets: 500 sheets in total</li> </ul> * Paper cannot be stacked higher than the following height regardless of the number of books in the stack. <ul style="list-style-type: none"> <li>• 8-1/2 × 11 (A4) or smaller: 14-3/4 inches (375 mm)</li> <li>• 8-1/2 × 14 (B4) or larger: 7-3/8 inches (187.5 mm)</li> </ul> * The height difference that is caused by staples on the top surface of a stack paper bundle must be within 1-15/16 inches (50 mm). * 100 copies are available for recycled paper and plain paper+.
Staple mode		Corner Rear/front of 45° (11 × 17, 8-1/2 × 11 <input type="checkbox"/> , A3, B4, A4 <input type="checkbox"/> , B5 <input type="checkbox"/> ) Corner Rear/front horizontal (11 × 17, 8-1/2 × 11 <input type="checkbox"/> , A3, A4 <input type="checkbox"/> ) Corner Rear/front horizontal (8-1/2 × 14, 8-1/2 × 11 <input type="checkbox"/> , A4 <input type="checkbox"/> , B5 <input type="checkbox"/> , A5 <input type="checkbox"/> ) 2 points on the side horizontal (11 × 17 to 8-1/2 × 11, A3 to B5, A5 <input type="checkbox"/> ) * Only available when selected.
Staple capacity	Thin paper/Plain paper (13-13/16 lb to 23-15/16 lb (52 g/m <sup>2</sup> to 90 g/m <sup>2</sup> ))	Max. 50 sheets
	Plain paper+/Thick (24-3/16 lb to 31-15/16 lb (91 g/m <sup>2</sup> to 120 g/m <sup>2</sup> ))	Max. 30 sheets
	Thick (32-3/16 lb to 55-5/8 lb (121 g/m <sup>2</sup> to 209 g/m <sup>2</sup> ))	Max. 15 sheets



Item	Specifications
Manual staple mode	Number of stapled sheets: Max. 50 sheets (23-15/16 lb (90 g/m <sup>2</sup> )) Staple position: Corner 45° Paper detection: Provided Height of paper insertion slit: 3/16 inches (5.5 mm) (Paper butting part)
Available options	<b>Punch Kit PK-524</b>
Power supply	Supply from machine
Consumables	Staple: <b>Staple Kit SK-602</b>
Max. power consumption	55 W or less
Dimensions ([W] × [D] × [H])	20-5/8 inches (528 mm) × 26-13/16 inches (681 mm) × 40-1/4 inches (1023 mm) With trays pulled out: 25-7/8 inches (658 mm) × 26-13/16 inches (681 mm) × 41-15/16 inches (1065 mm)
Weight	Approx. 68-5/16 lb (31 kg)

### Finisher FS-539 SD

Item	Specifications	
Paper size (Output Tray1)	12-1/4 × 18 (A3 wide (311.1 mm × 457.2 mm)), 11 × 17 to 5-1/2 × 8-1/2, SRA3, A3 to A5, B6 □, A6 □, 16K, 8K, Postcard (4 × 6 (A6 Card)), Banner paper	
Paper size (Output Tray2)	Group/Sort	12-1/4 × 18 (A3 wide (311.1 mm × 457.2 mm)), 11 × 17 to 5-1/2 × 8-1/2, SRA3, A3 to A5, 16K, 8K
	Offset Group/Offset Sort	12-1/4 × 18 (A3 wide (311.1 mm × 457.2 mm)), 11 × 17 to 7-1/4 × 10-1/2, SRA3, A3 to B5, A5 □, 16K, 8K
	Staple	11 × 17 to 7-1/4 × 10-1/2, A3 to B5, A5 □, 16K, 8K
Stacking capacity (Output Tray1)	Thin paper, Plain paper: 200 sheets Plain paper+, Thick, Transparency, Postcard (4 × 6 (A6 Card)), Envelope, Label sheet, Letterhead, Index paper: 20 sheets Banner paper: Not specified. * Paper with a stacking height above 35 mm regardless of the number of sheets cannot be stacked.	

Item		Specifications
Stacking capacity (Output Tray2)	Sort/Group	Thin paper, Plain paper, Plain paper+ <ul style="list-style-type: none"> <li>• 8-1/2 × 11, 7-1/4 × 10-1/2, A4, B5: 2000 sheets</li> <li>• 8-1/2 × 14 or larger, B4 or larger: 1500 sheets</li> <li>• 5-1/2 × 8-1/2 or smaller, A5 or smaller: 500 sheets</li> </ul> Thick, Transparency, Envelope, Label sheet, Letterhead: 20 sheets * Paper cannot be stacked higher than the following height regardless of the number of sheets in the stack. <ul style="list-style-type: none"> <li>• 8-1/2 × 11 (A4) or smaller: 9-13/16 inches (250 mm)</li> <li>• 8-1/2 × 14 (B4) or larger: 7-3/8 inches (187.5 mm)</li> </ul>
	Offset Sort/Offset Group	Thin paper, Plain paper, Plain paper+ <ul style="list-style-type: none"> <li>• 8-1/2 × 11, 7-1/4 × 10-1/2, A4, B5: 2000 sheets</li> <li>• 8-1/2 × 14 or larger, B4 or larger: 1500 sheets</li> <li>• 5-1/2 × 8-1/2, A5: 500 sheets</li> </ul> Thick: 20 sheets * Paper cannot be stacked higher than the following height regardless of the number of sheets in the stack. <ul style="list-style-type: none"> <li>• 8-1/2 × 11 (A4) or smaller: 9-13/16 inches (250 mm)</li> <li>• 8-1/2 × 14 (B4) or larger: 7-3/8 inches (187.5 mm)</li> </ul>
	Staple	Thin paper <ul style="list-style-type: none"> <li>• 2 to 9 sheets: 100 copies</li> <li>• 10 to 20 sheets: 50 copies</li> <li>• 21 to 30 sheets: 30 copies</li> <li>• 31 to 40 sheets: 25 copies</li> <li>• 41 to 50 sheets: 20 copies</li> </ul> Plain paper, Plain paper+ <ul style="list-style-type: none"> <li>• 2 to 9 sheets: 200 copies (8-1/2 × 11 □, A4 □, B5 □)*, 100 copies (8-1/2 × 11 □ or smaller, A4 □ or smaller, 8-1/2 × 14 or larger, B4 or larger)</li> <li>• 10 to 20 sheets: 50 copies</li> <li>• 21 to 30 sheets: 30 copies</li> <li>• 31 to 40 sheets: 25 copies</li> <li>• 41 to 50 sheets: 20 copies</li> </ul> Thick <ul style="list-style-type: none"> <li>• 2 to 5 sheets: 100 copies</li> <li>• 6 or more sheets: 500 sheets in total</li> </ul> * Paper cannot be stacked higher than the following height regardless of the number of books in the stack. <ul style="list-style-type: none"> <li>• 8-1/2 × 11 (A4) or smaller: 9-13/16 inches (250 mm)</li> <li>• 8-1/2 × 14 (B4) or larger: 7-3/8 inches (187.5 mm)</li> </ul> * The height difference that is caused by staples on the top surface of a stack paper bundle must be within 1-15/16 inches (50 mm). * 100 copies are available for recycled paper and plain paper+.
Staple mode		Corner Rear/front of 45° (11 × 17, 8-1/2 × 11 □, A3, B4, A4 □, B5 □) Corner Rear/front horizontal (11 × 17, 8-1/2 × 11 □, A3, A4 □)* Corner Rear/front horizontal (8-1/2 × 14, 8-1/2 × 11 □, A4 □, B5 □, A5 □) * Only available when selected.
Staple capacity	Thin paper/Plain paper (13-13/16 lb to 23-15/16 lb (52 g/m <sup>2</sup> to 90 g/m <sup>2</sup> ))	Max. 50 sheets
	Plain paper+/Thick (24-3/16 lb to 31-15/16 lb (91 g/m <sup>2</sup> to 120 g/m <sup>2</sup> ))	Max. 30 sheets
	Thick (32-3/16 lb to 55-5/8 lb (121 g/m <sup>2</sup> to 209 g/m <sup>2</sup> ))	Max. 15 sheets

Item		Specifications
Manual staple mode		Number of stapled sheets: Max. 50 sheets (23-15/16 lb (90 g/m <sup>2</sup> )) Staple position: Corner 45° Paper detection: Provided Height of paper insertion slit: 3/16 inches (5.5 mm) (Paper butting part)
Saddle stitcher mode		Center Staple, Half-Fold, Tri-Fold
Center staple paper size		<ul style="list-style-type: none"> <li>Center Staple/Half-Fold: 12-1/4 × 18 (A3 wide (311.1 mm × 457.2 mm)), 11 × 17, 8-1/2 × 14, 8-1/2 × 11 ☐, SRA3, A3, B4, A4 ☐, 8K</li> <li>Tri-Fold: 8-1/2 × 11 ☐, A4 ☐, 16K ☐</li> </ul>
Center staple paper type	Center Staple & Fold	Thin paper (13-13/16 lb to 15-11/16 lb (52 g/m <sup>2</sup> to 59 g/m <sup>2</sup> )), Plain paper (15-15/16 lb to 23-15/16 lb (60 g/m <sup>2</sup> to 90 g/m <sup>2</sup> )), Plain paper+ (24-3/16 lb to 27-15/16 lb (91 g/m <sup>2</sup> to 105 g/m <sup>2</sup> )), Thick (28-3/16 lb to 55-5/8 lb (106 g/m <sup>2</sup> to 209 g/m <sup>2</sup> )), Thick (55-7/8 lb to 79-13/16 lb (210 g/m <sup>2</sup> to 300 g/m <sup>2</sup> )) Can be used only as a cover page.
	Half-Fold	Thin paper (13-13/16 lb to 15-11/16 lb (52 g/m <sup>2</sup> to 59 g/m <sup>2</sup> )), Plain paper (15-15/16 lb to 23-15/16 lb (60 g/m <sup>2</sup> to 90 g/m <sup>2</sup> )), Plain paper+ (24-3/16 lb to 27-15/16 lb (91 g/m <sup>2</sup> to 105 g/m <sup>2</sup> )), Thick (28-3/16 lb to 55-5/8 lb (106 g/m <sup>2</sup> to 209 g/m <sup>2</sup> )), Thick (55-7/8 lb to 79-13/16 lb (210 g/m <sup>2</sup> to 300 g/m <sup>2</sup> )) Can be used by only one sheet.
	Tri-Fold	Thin paper (13-13/16 lb to 15-11/16 lb (52 g/m <sup>2</sup> to 59 g/m <sup>2</sup> )), Plain paper (15-15/16 lb to 23-15/16 lb (60 g/m <sup>2</sup> to 90 g/m <sup>2</sup> )), Plain paper+ (24-3/16 lb to 27-15/16 lb (91 g/m <sup>2</sup> to 105 g/m <sup>2</sup> )), Thick (28-3/16 lb to 31-15/16 lb (106 g/m <sup>2</sup> to 120 g/m <sup>2</sup> ))
Maximum number of sheets that can be center-stapled	Center Staple/Half-Fold	<ul style="list-style-type: none"> <li>1 to 3 sheets: 20 copies</li> <li>4 to 10 sheets: 10 copies</li> <li>11 to 20 sheets: 5 copies</li> </ul>
	Tri-Fold	<ul style="list-style-type: none"> <li>1 sheet: 30 copies</li> <li>2 to 3 sheets: 10 copies</li> </ul>
Maximum number of sheets that can be center-stapled	Thin paper, Plain paper (13-13/16 lb to 23-15/16 lb (52 g/m <sup>2</sup> to 90 g/m <sup>2</sup> ))	Max. 20 sheets Example number of stapled sheets: Front cover (13-13/16 lb to 55-5/8 lb (52 g/m <sup>2</sup> to 209 g/m <sup>2</sup> )) 1 sheet + Thin paper, Plain paper (13-13/16 lb to 23-15/16 lb (52 g/m <sup>2</sup> to 90 g/m <sup>2</sup> )) 19 sheets
	Plain paper+ (24-3/16 lb to 27-15/16 lb (91 g/m <sup>2</sup> to 105 g/m <sup>2</sup> ))	Max. 10 sheets Example number of stapled sheets: Front cover (24-3/16 lb to 55-5/8 lb (91 g/m <sup>2</sup> to 209 g/m <sup>2</sup> )) 1 sheet + Plain paper (24-3/16 lb to 27-15/16 lb (91 g/m <sup>2</sup> to 105 g/m <sup>2</sup> )) 9 sheets
	Thick (28-3/16 lb to 41-3/4 lb (106 g/m <sup>2</sup> to 157 g/m <sup>2</sup> ))	Max. 7 sheets Example number of stapled sheets: Front cover (28-3/16 lb to 55-5/8 lb (106 g/m <sup>2</sup> to 209 g/m <sup>2</sup> )) 1 sheet + Thick (28-3/16 lb to 41-3/4 lb (106 g/m <sup>2</sup> to 157 g/m <sup>2</sup> )) 6 sheets
	Thick (42 lb to 55-5/8 lb (158 g/m <sup>2</sup> to 209 g/m <sup>2</sup> ))	Max. 5 sheets Example number of stapled sheets: Front cover (42 lb to 55-5/8 lb (158 g/m <sup>2</sup> to 209 g/m <sup>2</sup> )) 1 sheet + Thick (42 lb to 55-5/8 lb (158 g/m <sup>2</sup> to 209 g/m <sup>2</sup> )) 4 sheets
Maximum number of folded sheets	Half-Fold	<ul style="list-style-type: none"> <li>13-13/16 lb to 55-5/8 lb (52 g/m<sup>2</sup> to 209 g/m<sup>2</sup>): 1 to 5 sheets</li> <li>55-7/8 lb to 79-13/16 lb (210 g/m<sup>2</sup> to 300 g/m<sup>2</sup>): 1 sheet</li> </ul>
	Tri-Fold	<ul style="list-style-type: none"> <li>Normal mode: 1 to 3 sheets</li> <li>Thick mode: 1 sheet</li> </ul>
Available options		<b>Punch Kit PK-524</b>
Power supply		Supply from machine
Consumables		Staple: <b>Staple Kit SK-602</b>
Max. power consumption		55 W or less

Item	Specifications
Dimensions ([W] × [D] × [H])	21-3/8 inches (543 mm) × 26-13/16 inches (681 mm) × 40-1/4 inches (1023 mm) With trays pulled out: 25-7/8 inches (658 mm) × 26-13/16 inches (681 mm) × 41-15/16 inches (1065 mm)
Weight	Approx. 116-7/8 lb (53 kg)

## Punch Kit PK-524

Item	Specifications
Applicable	<b>Finisher FS-539, Finisher FS-539 SD</b>
Number of punch holes	2 holes, 3 holes, 4 holes
Paper size	11 × 17 to 5-1/2 × 8-1/2, A3 to A5, 8 × 13, 16K, 8K
Paper type	Thin paper (13-13/16 lb to 15-11/16 lb (52 g/m <sup>2</sup> to 59 g/m <sup>2</sup> )), Plain paper (15-15/16 lb to 23-15/16 lb (60 g/m <sup>2</sup> to 90 g/m <sup>2</sup> )), Plain paper+ (24-3/16 lb to 27-15/16 lb (91 g/m <sup>2</sup> to 105 g/m <sup>2</sup> )), Thick (28-3/16 lb to 79-13/16 lb (106 g/m <sup>2</sup> to 300 g/m <sup>2</sup> ))
Power supply	Supply from <b>Finisher</b>
Dimensions ([W] × [D] × [H])	2-9/16 inches (64.6 mm) × 20-7/16 inches (519.75 mm) × 6-1/2 inches (164.5 mm)
Weight	Approx. 3-15/16 lb (1.8 kg)

## Finisher FS-533





Item	Specifications	
Paper size	Group/Sort	12-1/4 × 18 (A3 wide (311.1 mm × 457.2 mm)), 11 × 17 to 5-1/2 × 8-1/2, SRA3, A3 to A5, B6 □, A6 □, 16K, 8K, Postcard (4 × 6 (A6 Card)), Banner paper
	Offset Group/Offset Sort	11 × 17 to 7-1/4 × 10-1/2, A3 to B5, 16K, 8K
	Staple	11 × 17 to 7-1/4 × 10-1/2, A3 to B5, 16K, 8K
Paper type	Group/Sort	Thin paper (13-13/16 lb to 15-11/16 lb (52 g/m <sup>2</sup> to 59 g/m <sup>2</sup> )), Plain paper (15-15/16 lb to 27-15/16 lb (60 g/m <sup>2</sup> to 105 g/m <sup>2</sup> )), Thick (28-3/16 lb to 79-13/16 lb (106 g/m <sup>2</sup> to 300 g/m <sup>2</sup> )), Transparency, Postcard (4 × 6 (A6 Card)), Envelope, Label sheets, Letterhead, Index paper, Banner paper
	Offset Group/Offset Sort	Thin paper (13-13/16 lb to 15-11/16 lb (52 g/m <sup>2</sup> to 59 g/m <sup>2</sup> )), Plain paper (15-15/16 lb to 27-15/16 lb (60 g/m <sup>2</sup> to 105 g/m <sup>2</sup> )), Thick (28-3/16 lb to 79-13/16 lb (106 g/m <sup>2</sup> to 300 g/m <sup>2</sup> ))
	Staple	Thin paper (13-13/16 lb to 15-11/16 lb (52 g/m <sup>2</sup> to 59 g/m <sup>2</sup> )), Plain paper (15-15/16 lb to 27-15/16 lb (60 g/m <sup>2</sup> to 105 g/m <sup>2</sup> )), Thick (28-3/16 lb to 55-5/8 lb (106 g/m <sup>2</sup> to 209 g/m <sup>2</sup> ))

Item	Specifications	
Stacking capacity ( <b>Output Tray1</b> )	Group/Sort, Offset Group/Offset Sort	Thin paper, Plain paper <ul style="list-style-type: none"> <li>8-1/2 × 11, 7-1/4 × 10-1/2, A4, B5: 500 sheets</li> <li>8-1/2 × 14 or larger, B4 or larger: 250 sheets</li> </ul> Thick: 10 sheets * Paper cannot be stacked higher than the following height regardless of the number of sheets in the stack. <ul style="list-style-type: none"> <li>8-1/2 × 11 (A4) or smaller: 2-7/8 inches (73 mm)</li> <li>8-1/2 × 14 (B4) or larger: 1-7/16 inches (36 mm)</li> </ul>
	Staple	Thin paper, Plain paper <ul style="list-style-type: none"> <li>8-1/2 × 11, 7-1/4 × 10-1/2, A4, B5: 50 copies</li> <li>8-1/2 × 14 or larger, B4 or larger: 30 copies</li> </ul> Thick: Not specified. * Paper cannot be stacked higher than the following height regardless of the number of books in the stack. <ul style="list-style-type: none"> <li>8-1/2 × 11 (A4) or smaller: 2-7/8 inches (73 mm)</li> <li>8-1/2 × 14 (B4) or larger: 1-7/16 inches (36 mm)</li> </ul>
Staple capacity	A4 or smaller: 50 sheets B4 or larger: 30 sheets Example number of stapled sheets: Thick (55-5/8 lb (209 g/m <sup>2</sup> )) 2 sheets + Plain paper (23-15/16 lb (90 g/m <sup>2</sup> )) 48 sheets	
Available options	<b>Punch Kit PK-519</b>	
Power supply	Supply from machine	
Consumables	Staple: <b>Staple Kit SK-602</b>	
Max. power consumption	40 W or less	
Dimensions ([W] × [D] × [H])	18-5/8 inches (472.5 mm) × 23 inches (583.5 mm) × 7-11/16 inches (194.7 mm)	
Weight	Approx. 26-7/16 lb (12 kg)	

### Punch Kit PK-519

Item	Specifications
Applicable	<b>Finisher FS-533</b>
Number of punch holes	2 holes, 3 holes, 4 holes
Paper size	11 × 17 to 7-1/4 × 10-1/2, A3 to B5
Paper type	Thin paper (13-13/16 lb to 15-11/16 lb (52 g/m <sup>2</sup> to 59 g/m <sup>2</sup> )), Plain paper (15-15/16 lb to 27-15/16 lb (60 g/m <sup>2</sup> to 105 g/m <sup>2</sup> )), Thick (28-3/16 lb to 41-3/4 lb (106 g/m <sup>2</sup> to 157 g/m <sup>2</sup> ))
Power supply	Supply from <b>Finisher</b>
Dimensions ([W] × [D] × [H])	4-5/16 inches (110.2 mm) × 19-1/16 inches (483.5 mm) × 8 inches (203.2 mm)
Weight	Approx. 7-1/16 lb (3.2 kg)

### Job Separator JS-506

Item	Specifications	
Paper size	<b>Output Tray1</b>	12-1/4 × 18 (A3 wide (311.1 mm × 457.2 mm)), 11 × 17 to 5-1/2 × 8-1/2, SRA3, A3 to A5, B6  , A6  , 16K, 8K, Postcard (4 × 6 (A6 Card))
	<b>Output Tray2</b>	<ul style="list-style-type: none"> <li>Group/Sort: 12-1/4 × 18 (A3 wide (311.1 mm × 457.2 mm)), 11 × 17 to 5-1/2 × 8-1/2, SRA3, A3 to A5, B6 , A6 , 16K, 8K, Postcard (4 × 6 (A6 Card)), Banner paper</li> <li>Offset Group/Offset Sort: 11 × 17 to 7-1/4 × 10-1/2, A3 to B5, 16K, 8K</li> </ul>

Item		Specifications
Paper type		Thin paper (13-13/16 lb to 15-11/16 lb (52 g/m <sup>2</sup> to 59 g/m <sup>2</sup> )), Plain paper (15-15/16 lb to 27-15/16 lb (60 g/m <sup>2</sup> to 105 g/m <sup>2</sup> )), Thick (28-3/16 lb to 79-13/16 lb (106 g/m <sup>2</sup> to 300 g/m <sup>2</sup> )), Transparency, Postcard (4 × 6 (A6 Card)), Envelope, Label sheets, Letterhead, Index paper, Banner paper Output into <b>Output Tray2</b>
Paper loading capacity ( <b>Output Tray1</b> )		Plain paper: 100 sheets Thin paper: 50 sheets Thick, Transparency, Postcard (4 × 6 (A6 Card)), Envelope, Label sheet, Index paper: 10 sheets * Paper cannot be stacked higher than 7/8 inches (22.5 mm) regardless of the number of sheets in the stack.
Paper loading capacity ( <b>Output Tray2</b> )	Group/Sort	Thin paper, Plain paper: 150 sheets Thick, Transparency, Postcard (4 × 6 (A6 Card)), Label sheet, Index paper: 20 sheets Envelope: 10 sheets Banner paper: Not specified. * Paper cannot be stacked higher than 1-15/16 inches (49.9 mm) regardless of the number of sheets in the stack.
	Offset Group/Offset Sort	Thin paper, Plain paper: 150 sheets Thick: 20 sheets * Paper cannot be stacked higher than 1-15/16 inches (49.9 mm) regardless of the number of sheets in the stack. Shift amount: 1-3/16 inches (30 mm)
Power supply		Supply from machine
Max. power consumption		24 W or less
Dimensions ([W] × [D] × [H])		17-3/4 inches (451 mm) × 18-7/16 inches (469 mm) × 5-1/8 inches (130 mm)
Weight		Approx. 3-5/16 lb (1.5 kg)

## Authentication Unit AU-102

Item		Specifications
Biometric sensor system		Transmission-type optical system
Verification time		Approx. 1 sec. or less
Interface		USB 2.0
Dimensions ([W] × [D] × [H])		2-5/16 inches (59 mm) × 3-1/4 inches (82 mm) × 2-15/16 inches (74 mm)
Weight		Approx. 3/16 lb (0.1 kg) (Excluding USB cable)
Max. power consumption		DC 5 V 500 mA
System conditions (operating state)	Ambient temperature	41 °F to 95 °F (5 °C to 35 °C)
	Humidity	20% to 80% (No dew condensation)
System conditions (non-operating state)	Ambient temperature	32 °F to 122 °F (0 °C to 50 °C)
	Humidity	20% to 80% (No dew condensation)

Item		Specifications
Compatible computer	Computer	PC-AT compatible machine
	CPU	Conforms to the recommended operating environment of your operating system.
	Memory (RAM)	Conforms to the recommended operating environment of your operating system.
	Storage space	600 MB or more
	Monitor	800 × 600 pixels or more
	Network	TCP/IP settings must be configured correctly.
	Application	Microsoft Internet Explorer 9.0 (SP1) or later Microsoft .NET Framework 3.5 (SP1 or later)
	Interface	Conforms to USB 2.0.
Supported operating systems	For the supported operating systems, refer to Readme.	

### Authentication Unit AU-201S

Item		Specifications
Dimensions ([W] × [D] × [H])		3-7/8 inches (98 mm) × 2-1/2 inches (64 mm) × 1/2 inches (13 mm)
Weight		Approx. 3/16 lb (0.1 kg)
Power supply		Power feeding from USB port
System conditions (operating state)	Ambient temperature	32 °F to 104 °F (0 °C to 40 °C)
	Humidity	20% to 85% (No dew condensation)
System conditions (non-operating state)	Ambient temperature	-4 °F to 122 °F (-20 °C to 50 °C)
	Humidity	20% to 85% (No dew condensation)
Radio law division		Self-guided read-write communication facility
Applicable card		FeliCa (IDm), SSFC, FCF, FCF (campus), Type A
NFC reader		Conforms to ISO 18092 (NFC)
Acquired standard		VCCI class B
Compatible computer	Computer	PC-AT compatible machine
	CPU	Conforms to the recommended operating environment of your operating system.
	Memory (RAM)	Conforms to the recommended operating environment of your operating system.
	Storage space	600 MB or more
	Monitor	800 × 600 pixels or more
	Network	TCP/IP settings must be configured correctly.
	Application	Microsoft Internet Explorer 9.0 (SP1) or later Microsoft .NET Framework 3.5 (SP1 or later)
	Interface	Conforms to USB 2.0.
Supported operating systems	For the supported operating systems, refer to Readme.	

## Upgrade Kit UK-221

Item	Specifications
Compliance Standards	IEEE802.11b/IEEE802.11g/IEEE802.11n/IEEE802.11a/IEEE802.11ac
Transmission Scheme	DS-SS Scheme/OFDM Scheme
2.4 GHz frequency range	2.412 GHz to 2.472 GHz (Based on Radio Law of each country)
5 GHz frequency range	5.180 GHz to 5.825 GHz (Based on Radio Law of each country)
2.4 GHz channel	1 ch to 13 ch (Based on Radio Law of each country)
5 GHz channel	36 to 165ch (Based on Radio Law of each country)
Nominal data transfer speed	IEEE802.11b: Max. 11.0 Mbps IEEE802.11g: Max. 54.0 Mbps IEEE802.11n: Max. 144.4 Mbps (20 MHz), Max. 300.0 Mbps (40 MHz) IEEE802.11a: Max. 54.0 Mbps IEEE802.11ac: Max. 400.0 Mbps (40 MHz), Max. 866.7 Mbps (80 MHz)
Communication Mode	Secondary Mode Primary Mode Wi-Fi Direct Mode
Network Interface Settings & Authentication/Encryption Algorithm	Wireless Only: No Authentication/Encryption, WEP, WPA-PSK(AES), WPA2-PSK(AES), 802.1X, WPA-EAP(AES), WPA2-EAP(AES) Wired + Wireless (Secondary Mode): No Authentication/Encryption, WEP, WPA-PSK(AES), WPA2-PSK(AES) Wired + Wireless (Primary Mode): No Authentication/Encryption, WEP, WPA-PSK(AES), WPA2-PSK(AES) Wired + Wireless (Wi-Fi Direct): WPA2-PSK(AES)





## Notice to users

Type	Notice
<ul style="list-style-type: none"><li>• Class A items (Broadcast communications unit for business use)</li></ul>	This class A product is registered in Electromagnetic Compatibility, and User may be required to take adequate measures for other purposes than household use.
<ul style="list-style-type: none"><li>• Class B items (Broadcast communications unit for household use)</li></ul>	This class B product is registered in Electromagnetic compatibility and is for domestic environment and also for general use.

※ This device is in the Class A items in the North America.

※ This device is in the Class B items.

